

**LUKANG**  
ENGINE PARTS

AUTOMOTIVE ENGINE VALVE, GUIDE, SEAT

**LUKANG**



石家庄路康机械设备有限公司  
Shijiazhuang Lukang Machinery Equipment Co., Ltd.

<https://lukangparts.com>

## PROFESSIONAL ENGINE VALVE

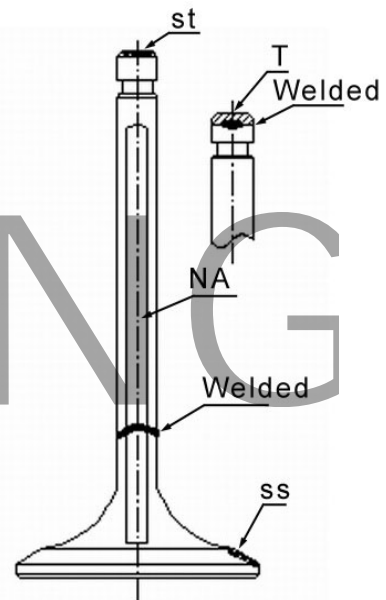
With more than thirty years experience in engine valve/guide/seat manufacturing, apply different kinds of materials/special treatments according to OE specifications. Mainly supply engine valve for passenger cars of , diesel engines trucks, buses & construction vehicles.

### Main Materials for Engine Valve

- SCM** Chromium-Manganium-Molybdenum-steel(JIS SCM4) Alloy Steels applied to Inlet Valves  
**H11** Silicon-Chromium(Silichrome 1) (JIS SUH 11) apply to Inlet Valve only  
**H3** Silicon-Manganium-Molybdenum-steel(JIS SUH3) apply to Inlet Valves  
 (may apply to Exhaust Valves of light engines)  
**H36** High Chromium-Magane Austenitic steel (JIS SUH36)(Anti-Magnetic Steel 21-4N).Apply to Exhaust Valves of heavy duty engines.  
**DIN** DIN 1.4718(Inlet),DIN 1.4882(Exhaust)

### Special Treatment Symbols

- STL** **ss** Valve seat : Stellite No.6 or No.32(F)  
**st** Tip:Stellite No.1
- T** Wafer welded valves Small wafer ( normally in our A-class mate is welded at the valve tip
- Cr** Chromium plated valves stems
- Tuf** Soft nitrided valve Soft nitrided finish,in other words "Tufftride", or so called " Black Finish" in general,The significanc of these improvements resulting from soft nitrideing is of course an extneded valve life.
- NA** Sodium cooled valves demands are increasing for racing car en for several operating purposes and for long run under high speed Sodium affects lowering temperature at valve head.
- Bi-M** These are required for some types of engines,to economically provide a valve with the head resisntance to heat,corrosion and mechanical stresses and the stem with good wear resistance. the bi-metallic Valve has the head made from a high temperature and corrosion resistant steel, and the stem made from a steel (usually martensitic) with good mechanical properties at medium temperatures.This combination is highly recommended for Exhaust Valves.



### Chemical Components of Stellite

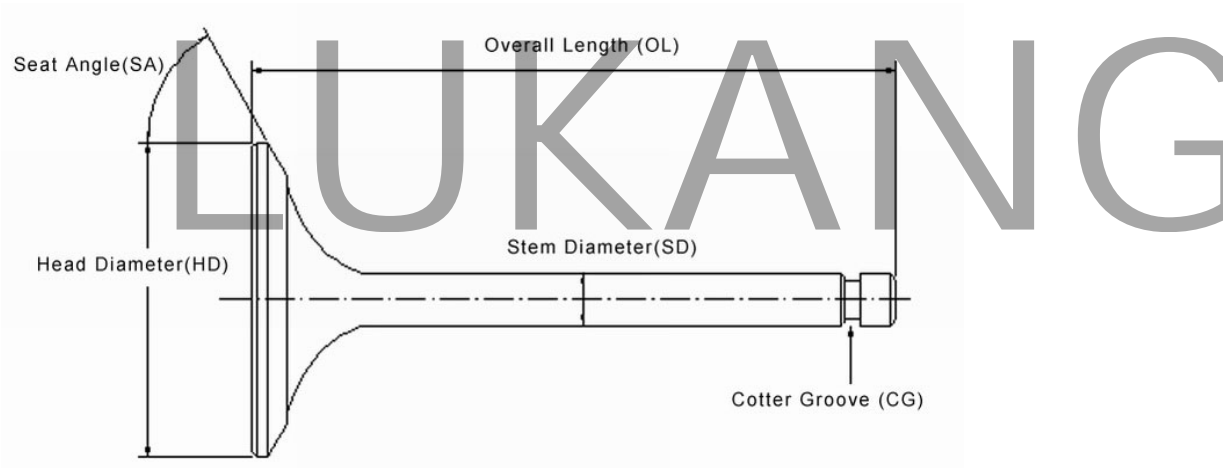
| Stellite Code | Ni | C   | Co      | Cr   | W    | Fe     | Melt.P( C ) | HRC | Apply |
|---------------|----|-----|---------|------|------|--------|-------------|-----|-------|
| STELLITE No.1 | -  | 1.0 | Balance | 28.0 | 4.0  | 3.0Max | 1.290       | 44  | Seat  |
| STELLITE No.6 | -  | 2.5 | Balance | 30.0 | 12.0 | 3.0Max | 1.265       | 54  | Tip   |

## PROFESSIONAL ENGINE VALVE

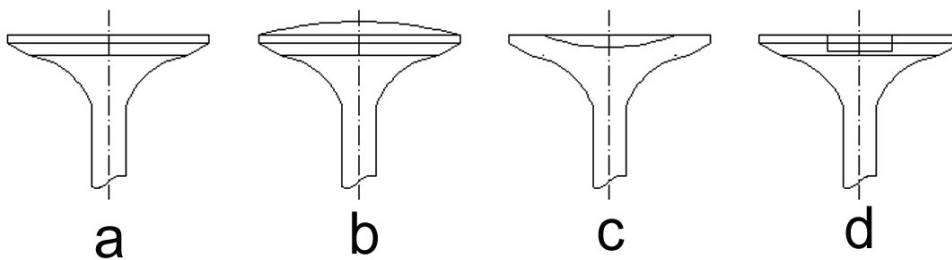
### Chemical Analysis of Material

| EIC Symbols | JIS              | SAE  | BS      | C    | Si   | Mn    | P     | S     | Ni   | Cr   | Mo   | N   | W   | Approximate Equivalents |       | Apply      |
|-------------|------------------|------|---------|------|------|-------|-------|-------|------|------|------|-----|-----|-------------------------|-------|------------|
|             |                  |      |         |      |      |       |       |       |      |      |      |     |     | TRW                     | EATON |            |
| SCM         | SCM4             | 4140 | EN49    | 0.43 | 0.35 | 0.85  | 0.03  | 0.03  | -    | 1.2  | 0.3  | -   | -   |                         |       | IN         |
|             | SNCM7            | 8645 | AEN100D | 0.40 | 0.40 | 0.65  | 0.03  | 0.035 | 0.9  | 0.75 | 0.2  | -   | -   |                         | I     | IN         |
|             | SNCM8            | 4030 | EN24    | 0.44 | 0.35 | 0.70  | 0.03  | 0.035 | 1.7  | 1.4  | 0.35 | -   | -   | N                       |       | IN         |
| H3          | SUH3             |      |         | 0.45 | 2.50 | 0.60  | 0.03  | 0.03  | 0.6  | 12.0 | 1.3  | -   | -   |                         |       | IN & EX    |
| H11         | SUH11            | HNV3 | EN52    | 0.50 | 3.00 | 0.60  | 0.03  | 0.035 | 0.5  | 8.5  | -    | -   | -   |                         |       | IN         |
| H36         | SUH36<br>(21-N4) | EV8  | 349S54  | 0.58 | 0.35 | 10.00 | 0.04  | 0.045 | 4.5  | 22.0 | -    | 0.4 | -   | S                       | H     | EX         |
|             |                  |      | EN54    | 0.50 | 1.75 | 1.20  | 0.045 | 0.045 | 10.0 | 14.0 | 3.0  | -   | -   | T                       | D     | EX         |
|             | SUH4             | ENV6 | EN59    | 0.85 | 2.25 | 0.60  | 0.03  | 0.03  | 1.65 | 20.5 | -    | -   | -   | K                       | K     | EX         |
| DIN         | 1.4882           | EV9  |         | 0.45 | 2.50 | 0.60  | 0.03  | 0.03  | 14.0 | 15.0 | -    | -   | 3.0 |                         |       | EX(Diesel) |
| DIN         | 1.4718           |      |         | 0.40 | 3.50 | 0.60  | 0.03  | 0.03  | 0.6  | 9.5  |      |     |     |                         |       | IN         |

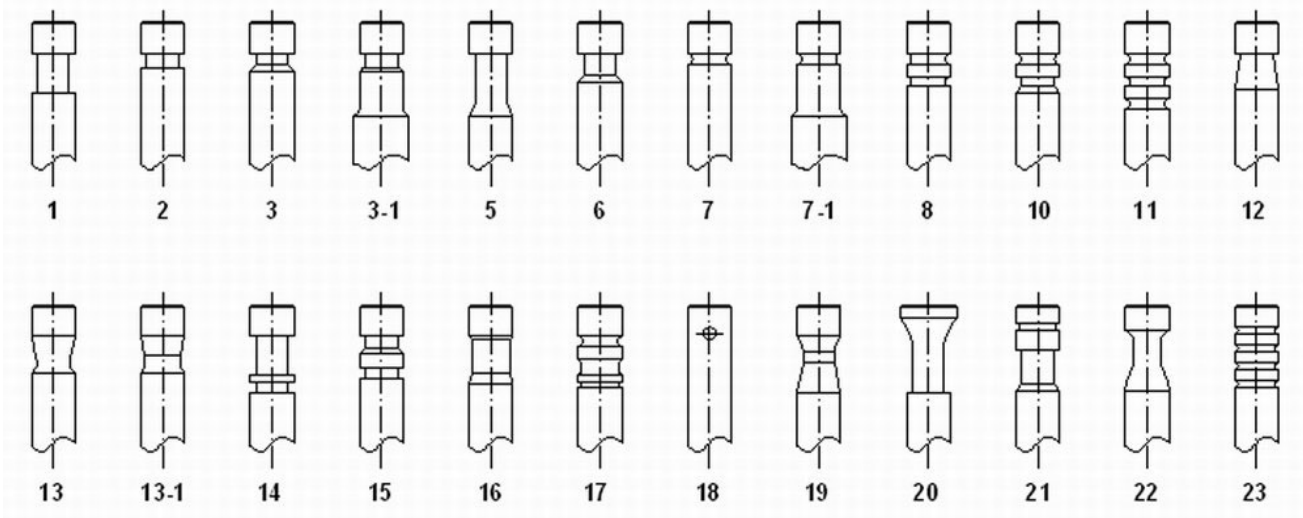
### Nomenclature and symbols



### Shape of Head (HS)



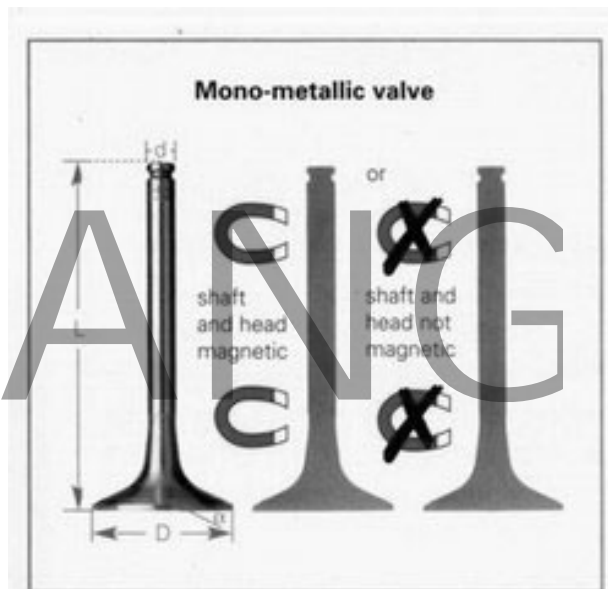
**Shape of Cotter Groove (CG)**



**Design of Engine Valve**

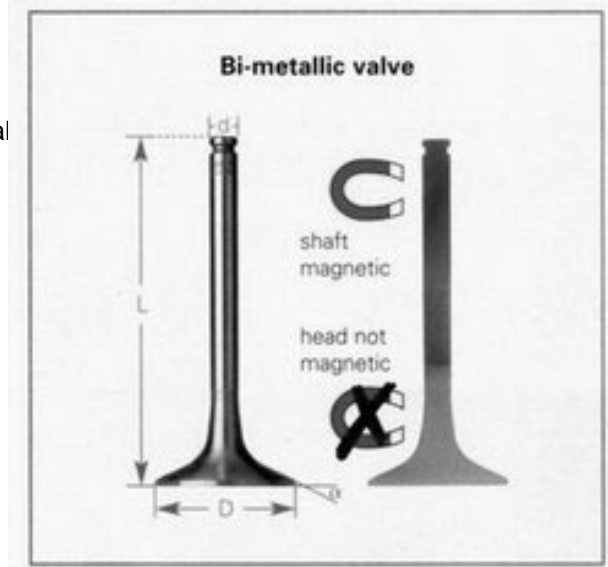
**Mono-metallic valves**

are produced efficiently in warm-extruded process or in an upsetting process.



**Bi-metallic valves**

make it possible to use the ideal combination of material both for the shaft and the end.



### Function of Engine Valve

Valves are precision engine parts and they have to perform four important tasks in the operation of the engine:

- Block flow areas
- Controlling gas exchange
- Sealing the cylinder to the outside
- Dissipating the heat absorbed by the exhaust gases

Form combustion to the valve seat ring and to the valve guide.

At temperatures of up to 800°C, each valve opens and closes up to 70 times per second and during the life of the engine it is subjected to an average of 300 million changes of load.

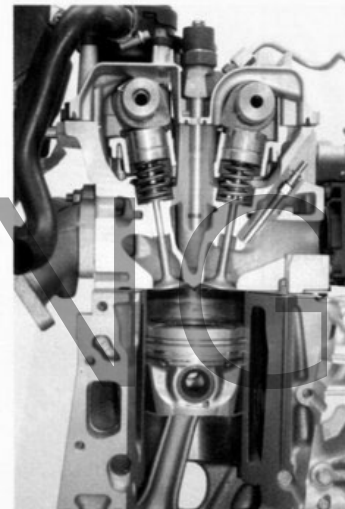
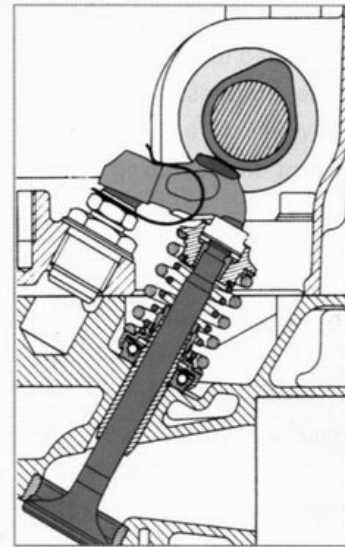
A distinction is generally made between inlet valves and exhaust valves.

#### **Inlet valves**

The valve-which are cooled by the circulation of unburnt gases-have to withstand high mechanical loads, especially upon contact with the valve seat.

#### **Exhaust valves.**

In addition to the great mechanical demands made on them, exhaust valves are subjected to high thermal stresses and chemical corrosion. Therefore, other materials and more complex production processes are used when they are manufactured.



### Fitting Recommendations

Valves are some of the components in the engine that are subjected to the greatest thermal and mechanical stresses. Their working life-and thus the working life of the engine is strongly dependent on their being installed correctly. Check the valves before installation to see if they have been damaged (for example, if they have been knocked etc.) Never install damaged or bent valves. Make sure that the valves are the right size for your engine.

#### **VALVE GUIDE for the valve clearance**

| Valve stem diameter in mm | Inlet valve | Exhaust valve |
|---------------------------|-------------|---------------|
| 6~7                       | 10~40µm     | 25~55µm       |
| 8~9                       | 20~50µm     | 35~65µm       |
| 10~12                     | 40~70µm     | 55~85µm       |

Information and installation guidelines from the engine manufacturer must be observed in all cases. Before installing the valve, check the inner core of the valve spring head to see if it is worn or damaged, check also whether the valve spring power is still within the values prescribed by the engine manufacturer. Be sure to use new valve collets and valve shaft seals when installing the valve. The valve shaft must be lubricated sufficiently with clean engine oil before it is inserted.

**ENGINE VALVE**

LUKANG



**DAIHATSU**

**ENGINE VALVE**

| O.E PART NO.  | YEAR               | ENGINE MODEL              | CYL            | VEHICLE  |  | IN EX        | DIMENSIONS       |                    |                |                |            |            | REMARKS |
|---|--------------------|---------------------------|----------------|--|--|--------------|------------------|--------------------|----------------|----------------|------------|------------|---------|
|   |                    |                           |                | NAME   | MODEL  |              | HD               | OL                 | SD             | SA             | HS         | CG         |         |
| 13711-15010<br>13715-15010  | 81-                | 3A, 4A                    | 4              | CHARMANT 1500  | A55  | IN<br>EX     | 36.0<br>31.0     | 107.0<br>107.0     | 7.0<br>7.0     | 45°<br>45°     | c<br>d     | 3<br>3     |         |
| 13711-87701<br>13711-87702<br>13711-87705<br>13715-87701<br>13715-87702                           | 79-<br><br><br>77- | AB<br><br><br>CB          | 2<br><br><br>3 | CUORE, HI JET, ATRAI<br><br>CHARAD 1000              | L45, 55, S40, 60, 65, 66,S75,S88,D700<br><br>G10, 11,100 | IN<br><br>EX | 36.0<br><br>33.0 | 101.6<br><br>101.6 | 9.0<br><br>9.0 | 45°<br><br>45° | c<br><br>c | 7<br><br>7 |         |
| 13711-87704<br>13715-87703  | 83-                | CL                        | 3              | CHARADE 1000D  | G30, 101   | IN<br>EX     | 36.0<br>32.0     | 105.0<br>105.0     | 7.0<br>7.0     | 45°<br>45°     | d<br>d     | 7<br>7     |         |
| 13711-87103<br>13711-87104<br>13715-87105<br>13715-87106  | 88-92              | HC HD<br><br>HE           | 4              | CHARADE/ROCKY  |  | IN<br>EX     | 30.0<br>26.0     | 112.8<br>114.5     | 6.6<br>6.6     | 45°<br>45°     | c<br>c     | 7<br>7     |         |
| 13711-87304<br>13711-87305<br>5113-1641C<br>13715-87304<br>13715-87305<br>5113-1642C              | 68-                | DG                        | 4              | DELTA 2500   | D200, 300 DV24, 32                                       | IN<br>EX     | 40.0<br>33.0     | 136.2<br>136.2     | 9.0<br>9.0     | 45°<br>45°     | c<br>c     | 7<br>7     |         |
| 13711-87306<br>13715-87307<br>13715-87309   | 69-                | DG                        | 4              | DELTA 2600   | DY26 SV26  | IN<br>EX     | 40.0<br>33.0     | 127.6<br>127.6     | 9.0<br>9.0     | 45°<br>45°     | c<br>c     | 3<br>3     |         |
| 13711-87308<br><br>13715-87311  | 67-<br><br>73-     | DG<br>DL                  | 4<br><br>4     | LIGHT BUS, TAFT<br><br>DELTA 3000 D2000<br><br>DELTA | F50 55 SV18 26 32 37<br><br>DV21 24 26 32<br><br>F60 V54 | IN<br><br>EX | 40.0<br><br>33.0 | 127.6<br><br>127.6 | 9.0<br><br>9.0 | 45°<br><br>45° | c<br><br>c | 7<br><br>7 |         |
| 13711-87312<br>13711-87314<br>13715-87319<br>13715-87317<br>13715-87322                           | 85-                | DL                        | 4              | DELTA  | V5#  | IN<br>EX     | 42.0<br>35.0     | 127.6<br>127.6     | 9.0<br>9.0     | 45°<br>45°     | d<br>d     | 7<br>7     |         |
| 13711-87101<br>13711-87102<br>4023-1641<br>13715-87101<br>13715-87102<br>13715-87103<br>4023-1642 | 67-77              | FE<br>FE1<br>FE10<br>FE20 | 4              | CONSORTE, TAFT1000<br>COMPAGNO, BERLINA1000          | EP30<br>F10, 40  | IN<br>EX     | 32.0<br>29.0     | 95.0<br>95.0       | 7.0<br>7.0     | 45°<br>45°     | c<br>c     | 7<br>7     |         |

## DAIHATSU

## ENGINE VALVE

| O.E PART NO. | YEAR  | ENGINE MODEL | CYL | VEHICLE                     |                          | IN<br>EX | DIMENSIONS |       |       |     |     |    | REMARKS |  |
|--------------|-------|--------------|-----|-----------------------------|--------------------------|----------|------------|-------|-------|-----|-----|----|---------|--|
|              |       |              |     | NAME                        | MODEL                    |          | HD         | OL    | SD    | SA  | HS  | CG |         |  |
| 13711-24010  | 71-78 | 3KH          | 4   | CHARMANT<br>CONSOSRTE       | A10, EP30 31 42 47<br>50 | IN       | 36.0       | 100.0 | 8.0   | 45° | c   | 10 |         |  |
| 13715-24010  |       | 3KJ<br>3KU   |     | DELTA 750                   | 51 KB10, KD10            | EX       | 29.0       | 100.0 | 8.0   | 45° | d   | 10 |         |  |
| 13711-24011  | 78-   | 4K           | 4   | CHARMANT 1300               | A30, 35                  | IN       | 36.0       | 100.0 | 8.0   | 45° | c   | 3  |         |  |
| 13715-24012  |       | 4KU          |     | DELTA 1300                  | KB11 12 26 KD11 20       | EX       | 29.0       | 100.0 | 8.0   | 45° | d   | 3  |         |  |
| 13711-44012  | 72-   | 5R           | 4   | DELTA 1500                  | DV23 SV23 V30 31<br>32   | IN       | 43.0       | 109.5 | 8.0   | 45° | c   | 8  |         |  |
| 13715-44021  |       |              |     | DELTA 2000                  | 33 34                    | EX       | 37.0       | 109.5 | 8.0   | 45° | d   | 8  |         |  |
| 13711-31030  | 72-81 | 12R          | 4   | MICRO BUS,<br>TAFTRAN       | F20, 25                  | IN       | 40.0       | 109.0 | 8.0   | 45° | c   | 10 |         |  |
| 13711-31040  |       |              |     | DELTA 1500                  | SV17                     |          |            |       |       |     |     |    |         |  |
| 13715-31030  |       |              |     |                             |                          |          | EX         | 34.0  | 109.0 | 8.0 | 45° | d  | 10      |  |
| 13715-31040  |       |              |     |                             |                          |          |            |       |       |     |     |    |         |  |
| 13711-25010  | 75-79 | T            | 4   | CHARMANT 1400               | A20, 25                  | IN       | 41.0       | 109.2 | 8.0   | 45° | c   | 10 |         |  |
| 13715-25010  |       | 2T           |     | SV17                        | EX                       | 36.0     | 109.2      | 8.0   | 45°   | c   | 10  |    |         |  |
| 13711-25011  | 76-81 | 2~ 12T       | 4   | CHARMANT 1600<br>DELTA WIDE | A40, 45 TB10, 11         | IN       | 41.0       | 109.0 | 8.0   | 45° | c   | 3  |         |  |
| 13715-25011  |       | 3~ 13T       |     | DELTA 1800                  | TB15                     | EX       | 36.0       | 109.0 | 8.0   | 45° | c   | 3  |         |  |
| 13711-71010  | 73-   | 1Y           | 4   | DELTA 1800                  | YB20, 21, 26             | IN       | 40.0       | 108.3 | 8.0   | 45° | c   | 7  |         |  |
|              | 83-   | 2Y           |     | DELTA 2000                  |                          |          |            |       |       |     |     |    |         |  |
|              | 83-   | 3Y           |     |                             |                          | EX       | 36.0       | 108.5 | 8.0   | 45° | c   | 7  |         |  |
| 13715-71010  |       | 4Y           |     |                             |                          |          |            |       |       |     |     |    |         |  |
| 13711-87702  | 79-   | AB           | 2   | WIDE VAN CAB                | S60                      | IN       | 36.0       | 101.6 | 7.0   | 45° | c   | 7  |         |  |
| 13715-87702  |       | CB           |     | S40 VAN 550 CAB             | S75 S88 D700             | EX       | 33.0       | 101.6 | 7.0   | 45° | c   | 7  |         |  |
| 13711-87202  |       | EF           | 3   | PROTON KANSIL               | EB10                     | IN       | 34.0       | 111.0 | 7.0   | 45° | c   | 7  |         |  |
| 13715-87202  |       | CL           |     | ED                          | EX                       | 28.0     | 111.4      | 7.0   | 45°   | c   | 7   |    |         |  |
| 13711-87201  |       | EF           | 3   | KANSIL                      | FB10                     | IN       | 30.0       | 112.3 | 7.0   | 45° | c   | 7  |         |  |
| 13715-87201  |       | CL           |     | MALAYSIAN SPEC              |                          | EX       | 26.0       | 112.7 | 7.0   | 45° | c   | 7  |         |  |
| 13711-87706  |       |              |     | MIJET                       |                          | IN       | 34.0       | 104.8 | 7.0   | 45° | d   | 7  |         |  |
| 13715-87705  |       |              |     |                             |                          | EX       | 30.0       | 105.2 | 7.0   | 45° | d   | 7  |         |  |
| 13711-87707  |       | CB70         | 3   | CHARADE                     | CB                       | IN       | 30.0       | 107.0 | 6.0   | 45° | c   | 7  |         |  |
| 13715-87707  |       |              |     |                             |                          |          | EX         | 26.0  | 107.2 | 6.0 | 45° | c  | 7       |  |



## HINO

## ENGINE VALVE

| O.E PART NO.   | YEAR  | ENGINE MODEL | CYL | VEHICLE              |                           | IN<br>EX | DIMENSIONS |        |      |     |    |      | REMARKS |  |
|----------------|-------|--------------|-----|----------------------|---------------------------|----------|------------|--------|------|-----|----|------|---------|--|
|                |       |              |     | NAME                 | MODEL                     |          | HD         | OL     | SD   | SA  | HS | CG   |         |  |
| 2310-1301-01   | 67-86 | <b>DK10</b>  | 6   | TRUCK                | KF, TC, ZM, HF,           | IN       |            |        |      |     |    |      |         |  |
| 13711-1130B    | 66-80 | <b>DK20</b>  | 6   | BUS                  | BG, RC                    |          | 57.0       | 175.0  | 12.0 | 45° | c  | 13   |         |  |
| 13711-1130C    |       |              |     |                      |                           |          |            |        |      |     |    |      |         |  |
| 2311 - 1302-01 |       |              |     |                      |                           | EX       | 51.0       | 175.5  | 12.0 | 45° | c  | 13   |         |  |
| 13715-1150C    |       |              |     |                      |                           |          |            |        |      |     |    |      |         |  |
| 2352-1301-00   | 63-86 | <b>DM100</b> | 6   | TRUCK;RANGER         | RM, BM, HM, KM, KQ        | IN       | 43.5       | 137.6  | 9.0  | 45° | d  | 13   |         |  |
| 2352-1301-01   |       |              |     |                      |                           |          |            |        |      |     |    |      |         |  |
| 13711-1170A    |       |              |     | BUS;RAINBOW          |                           |          |            |        |      |     |    |      |         |  |
| 2352-1302-00   | 72-83 | <b>DQ100</b> | 6   | RANGER 4,<br>4. 5TON |                           | EX       | 36.0       | 137.6  | 9.0  | 45° | d  | 13   |         |  |
| 2352-1302-01   |       |              |     |                      |                           |          |            |        |      |     |    |      |         |  |
| 13715-1320A    |       |              |     |                      |                           |          |            |        |      |     |    |      |         |  |
| 2872-1305-01   | 57-61 | <b>DS50</b>  | 6   | TRUCK, BUS           | RD35, ZC34,<br>TC8000     | IN       | 53.0       | 161.0  | 11.0 | 60° | d  | 13-1 |         |  |
| 13711-1310A    |       | <b>DS60</b>  | 6   |                      |                           |          |            |        |      |     |    |      |         |  |
| 2872-1306-01   |       | <b>DS140</b> |     |                      |                           | EX       | 45.0       | 161.0  | 11.0 | 45° | d  | 13-1 |         |  |
| 13715-1450A    |       |              |     |                      |                           |          |            |        |      |     |    |      |         |  |
| 2874-1301-01   | 60-88 | <b>DS70</b>  | 6   | TRUCK                | KC, TE, RD                | IN       | 50.0       | 157.0  | 10.0 | 60° | d  | 13   |         |  |
| 13711-1320B    |       | <b>DS90</b>  |     | BUS                  |                           |          |            |        |      |     |    |      |         |  |
| 2874-1302-01   | 62-68 | <b>DS80</b>  | 6   |                      | KC320/420, KE102,<br>202  | EX       | 43.0       | 157.0  | 10.0 | 45° | d  | 13   |         |  |
| 13715-1460B    |       |              |     |                      | TE120/220,<br>BT51/61/220 |          |            |        |      |     |    |      |         |  |
| 2330-1301-12   | 67-77 | <b>EB100</b> | 6   | TRUCK                | KB,RE                     | IN       | 54.0       | 175.0  | 11.7 | 60° | d  | 13   |         |  |
| 2330-2301-20   |       |              |     | BUS                  |                           |          |            |        |      |     |    |      |         |  |
| 13711-1140A    | 67-79 | <b>EB200</b> | 6   |                      |                           |          |            |        |      |     |    |      |         |  |
| 13711-1141     |       |              |     |                      |                           |          |            |        |      |     |    |      |         |  |
| 2330-1302-12   |       |              |     |                      | KB380/TC30                | EX       | 48.0       | 175.0  | 11.7 | 45° | d  | 13   |         |  |
| 13715-1290A    |       |              |     |                      |                           |          |            |        |      |     |    |      |         |  |
| 13711-1030A    | 70-   | <b>EB300</b> | 6   | TRUCK                | KBI12, 303, 304           | IN       | 54.0       | 175.1  | 12.0 | 60° | c  | 8    |         |  |
| 13715-1040A    |       |              |     |                      |                           | EX       | 48.0       | 175.1  | 12.0 | 45° | c  | 8    |         |  |
| 13711-1090     | 71-86 | <b>EB300</b> | 6   | TRUCK                | KB, BY, RE                | IN       | 53.0       | 175.1  | 12.0 | 60° | c  | 7    |         |  |
| 13711-1091A    | 77-88 | <b>EB400</b> | 6   | BUS                  |                           |          |            |        |      |     |    |      |         |  |
| 13715-1122A    |       |              |     |                      |                           | EX       | 47.0       | 174.8  | 12.0 | 45° | c  | 7    |         |  |
| 13715-1500     |       |              |     |                      |                           |          |            |        |      |     |    |      |         |  |
| 2380-1301-10   | 69-   | <b>EC100</b> | 6   | TRUCK;RANGER         | FD, K J, AM, RL           | IN       | 46.5       | 132.45 | 9.0  | 45° | c  | 7    |         |  |
| 13711-1180A    |       |              |     | BUS;RAINBOW          | KL3#/4#,AM<br>100/200     |          |            |        |      |     |    |      |         |  |
| 2380-1302-10   |       |              |     |                      |                           | EX       | 37.5       | 132.45 | 9.0  | 45° | d  | 7    |         |  |
| 13715-1330A    |       |              |     |                      |                           |          |            |        |      |     |    |      |         |  |
| 2400-1320-00   | 71-77 | <b>ED100</b> | 6   | TRUCK                | KB, KS, KF, TC,<br>WP     | IN       | 58.0       | 174.7  | 12.0 | 45° | d  | 8    |         |  |
| 13711-1250B    |       | <b>(NEW)</b> |     |                      | ZC, ZG, ZH, ZM            |          |            |        |      |     |    |      |         |  |
| 2400-1302-20   |       |              |     |                      |                           | EX       | 52.0       | 174.35 | 12.0 | 45° | d  | 8    |         |  |
| 13715-1390B    |       |              |     |                      |                           |          |            |        |      |     |    |      |         |  |

HINO

ENGINE VALVE

| O.E PART NO.   | YEAR                | ENGINE MODEL            | CYL            | VEHICLE   |   | IN EX  | DIMENSIONS |        |      |     |    |    | REMARKS |
|--|---------------------|-------------------------|----------------|---|---|--------|------------|--------|------|-----|----|----|---------|
|  |                     |                         |                | NAME  | MODEL   |        | HD         | OL     | SD   | SA  | HS | CG |         |
| 2390-1301-20<br>13711-1220A  | 71-                 | EF100                   | V8             | TRUCK   | KE702   | IN     | 54.0       | 170.0  | 12.0 | 45° | d  | 8  |         |
| 2390-1302-21<br>13715-1370A  |                     | EG100                   | V8             |   | KA, KF, TC, ZM  | EX     | 52.0       | 170.0  | 12.0 | 45° | d  | 8  |         |
| 13711-1110A<br>13711-1330A   | 71-75<br>71-        | EF100<br>EF100T         | V8<br>V8       | TRUCK<br>BUS                                    | KA, KF, TC, ZM<br>RV  | IN     | 54.0       | 167.7  | 12.0 | 45° | d  | 7  |         |
| 13715-1140A  | 71-78               | EG100<br>(NEW)          | 8              |   |   | EX     | 52.0       | 167.7  | 12.0 | 45° | d  | 7  |         |
| 13711-1370A<br>13711-1401A<br>13711-1050A  | 75-79<br>79-<br>76- | EF300<br>EF350<br>EF500 | V8<br>V8<br>V8 | TRUCK, BUS<br>TRUCK, BUS<br>TRUCK, BUS<br>TRUCK | ZM, TC, RS, RV<br>KF, ZM, KS, RS<br>KF, TC, WP,<br>ZM, RV<br>ZM | IN     | 56.0       | 168.9  | 12.0 | 60° | d  | 7  |         |
| 13715-1061B<br>13715-1060A   | 76-81<br>82-        | EF700<br>EV700          | V8<br>V10      | TRUCK   | SH, SS  | EX     | 52.0       | 168.9  | 12.0 | 45° | d  | 7  |         |
| 13711-1012<br>13711-1380A<br>13711-1390A<br>13711-1420A<br>13711-1011<br>13711-1450A<br>13711-1451A<br>13711-1561B | 81-<br>81-          | EF550<br>EF750<br>EK100 | V8<br>V8       | TRUCK, BUS<br>TRUCK, BUS                        | FR, FS, RU<br>FS, FU, RU  | IN     | 57.0       | 170.0  | 12.0 | 60° | d  | 7  |         |
| 13715-1012<br>13715-1013A<br>13715-1013C<br>13715-1680<br>13715-1011   |                     |                         |                |   |   | EX     | 53.0       | 170.0  | 12.0 | 45° | d  | 7  |         |
| 2382-1301-00<br>13711-1200A  | 72-                 | EH100                   | 6              | TRUCK;RANGER<br>BUS;RAINBOW                     | K J, KL, WB, RL<br>BX, AM                                       | IN     | 49.7       | 132.45 | 9.0  | 45° | c  | 7  |         |
| 2382-1302-00<br>13715-1350A  |                     |                         |                | EX  | 41.7  | 132.45 | 9.0        | 45°    | c    | 7   |    |    |         |
| 2383-1301-10<br>13711-1100A<br>13711-1210A   | 74-80               | EH300<br>EH500          | 6              | TRUCK;RANGER<br>BUS;RAINBOW                     | KL, kU, kJ<br>RD, KR  | IN     | 50.5       | 133.2  | 9.0  | 45° | c  | 7  |         |
| 2383-1302-10<br>13715-1130A<br>13715-1131<br>13715-1360A<br>13715-1100   |                     | EX                      |                | 42.5  | 132.95  | 9.0    | 45°        | d      | 7    |     |    |    |         |

## HINO

## ENGINE VALVE

| O.E PART NO.  | YEAR  | ENGINE MODEL           | CYL    | VEHICLE            |                          | IN EX    | DIMENSIONS   |                |       |            |        |        | REMARKS |
|---|-------|------------------------|--------|--------------------|--------------------------|----------|--------------|----------------|-------|------------|--------|--------|---------|
|   |       |                        |        | NAME               | MODEL                    |          | HD           | OL             | SD    | SA         | HS     | CG     |         |
| 13711-1081D<br>13711-1470<br>13711-1471   | 77-   | EH700                  | 6      | TRUCK;RANGER       | FT, FD, GD, FF, KR,      | IN       | 48.0         | 142.0          | 9.0   | 60°        | d      | 7      |         |
| 13715-1220A<br>13715-1520A<br>13715-1081<br>13715-1111<br>13715-1110<br>13715-1111C | 83-86 |                        |        | BUS;RAINBOW        | KG<br>RD, RR, R J, LB    |          | EX           | 41.4           | 142.0 | 9.0        | 45°    | d      |         |
| 13711-1011A<br>13715-1010   | 75-   | EK100                  | 6      | TRUCK              | FH, KB, KF,<br>WD,ZC, FC | IN       | 57.0         | 172.0          | 12.0  | 60°        | d      | 8      |         |
| 13715-1011A<br>13715-1000   | 80-90 | EK200                  |        | BUS                | RC                       | EX       | 53.0         | 172.0          | 12.0  | 45°        | d      | 8      |         |
| 13711-1350B<br>13715-1070B  | 78-   | EL100<br>YA70          | 6      | TRUCK;RANGER       | FG, LB, KK               | IN<br>EX | 50.0<br>46.5 | 144.5<br>144.5 | 10.0  | 60°<br>45° | d<br>d | 7<br>7 |         |
| 13711-1410B<br>13711-1500<br>13711-1500C  | 81-   | EM100<br>M10U          | 6      | TRUCK              | FH                       | IN       | 54.0<br>54.0 | 144.5<br>145.0 | 10.0  | 60°<br>60° | d<br>d | 7<br>7 |         |
| 13715-1240B<br>13715-1240C  |       |                        |        | BUS,<br>BLUERIBBON | RV                       | EX       | 48.0         | 144.0          | 10.0  | 45°        | d      | 7      |         |
| 13711-1430A<br>13711-1431A<br>13711-1530A<br>13711-1541C<br>13711-1541A             | 81-   | EP100<br>M10C          | 6      | TRUCK              | FN, FR, GN               | IN       | 50.0         | 144.9          | 10.0  | 60°        | d      | 7      |         |
| 13715-1260A<br>13715-1580A<br>13715-1580C<br>13715-1260C                            |       |                        |        |                    |                          | EX       | 46.5         | 145.0          | 10.0  | 45°        | d      | 7      |         |
| 13711-1360A<br>13711-1580A<br>13715-1470A   | 78-   | ER100<br>ER200<br>YA89 | 6      | BUS                | RC                       | IN<br>EX | 55.0<br>51.0 | 162.4<br>162.3 | 12.0  | 60°<br>45° | d<br>d | 7<br>7 |         |
| 13711-1610<br>13711-1611<br>13711-1611A   |       | F20C<br>F21            | 6      | TRUCK, FR          |                          | IN       | 49.0         | 159.7          | 10.0  | 60°        | d      | 7      |         |
| 13715-1750<br>13715-1750A<br>13715-1630<br>13715-1631                               |       |                        |        |                    |                          | EX       | 47.0         | 159.4          | 10.0  | 45°        | d      | 7      |         |
| 13711-1550<br>13715-1590  |       | H07C<br>H06CT          | 6<br>6 | TRUCK              |                          | IN<br>EX | 48.0<br>41.4 | 134.6<br>134.3 | 9.0   | 60°<br>45° | d<br>d | 7<br>7 |         |

HINO

# ENGINE VALVE

| O.E PART NO.   | YEAR  | ENGINE MODEL                 | CYL             | VEHICLE                            |                    | IN EX                | DIMENSIONS   |                 |              |            |        |          | REMARKS |
|--|-------|------------------------------|-----------------|------------------------------------|--------------------|----------------------|--------------|-----------------|--------------|------------|--------|----------|---------|
|  |       |                              |                 | NAME                               | MODEL              |                      | HD           | OL              | SD           | SA         | HS     | CG       |         |
| 13711-1790A<br>13711-1600B<br>13711-1590A<br>13711-1591A<br>13715-1620A<br>13715-1860A<br>13715-1820           |       | P09C<br><br><br><br><br>P11C | 6               | TRUCK, FR                          |                    | IN<br><br><br><br>EX | 41.0<br>40.0 | 155.5<br>155.3  | 8.0<br>8.0   | 60°<br>45° | d<br>d | 7<br>7   |         |
| 13711-1441<br>13711-1443<br>13711-78010<br>13711-1520<br>13711-1521<br>13715-1251<br>13715-1570<br>13715-78010 | 83-   | W04D<br><br><br><br>W06D     | 4<br><br><br>6  | BUS;RAINBOW<br><br>TRUCK;RANGER 3M | AC140              | IN<br><br><br>EX     | 45.5<br>40.0 | 123.1<br>122.9  | 9.0<br>9.0   | 60°<br>45° | d<br>d | 7<br>7   |         |
| 13711-1240<br>2400-1301-24<br>13715-1380<br>2400-1302-04   | 71-75 | ED100 (OLD)                  | 6               | TRUCK                              | KF, ZM(OLD), ED100 | IN<br><br>EX         | 58.0<br>52.0 | 175.0<br>174.5  | 12.0<br>12.0 | 45°<br>45° | d<br>d | 13<br>13 |         |
| 13711-1340   |       | DS56                         | 6               | TRUCK                              |                    | IN                   | 50.0         | 161.4           | 11.0         | 45°        | d      | 13       |         |
| 13711-1632<br>13711-1631<br>13711-1830<br>13715-1733<br>13715-1732<br>13715-1730                               |       | JO5C<br><br><br>JO7C<br>JO8C | 6<br><br>4<br>5 |                                    |                    | IN<br><br>EX         | 39.0<br>37.0 | 132.8<br>132.2  | 7.0<br>7.0   | 60°<br>45° |        |          |         |
| S13711-1800<br>S13715-1870   |       | N04C                         | 4               |                                    |                    | IN<br>EX             |              |                 |              |            |        |          |         |
| 13711-1820<br>13711-1650<br>13711-1700<br>13715-1600<br>13715-1671<br>13715-1720<br>13715-1790                 |       | K13C<br><br><br>F17E         |                 |                                    | FR. FS. FV         | IN<br><br>EX         | 46.0<br>45.0 | 159.85<br>158.9 | 9.0<br>9.0   | 60°<br>45° |        |          |         |

HONDA

ENGINE VALVE

| O.E PART NO.  | YEAR  | ENGINE MODEL | CYL   | VEHICLE                                    |                                      | IN EX | DIMENSIONS |            |        |         |       |      | REMARKS |
|---------------|-------|--------------|-------|--|--------------------------------------|-------|------------|------------|--------|---------|-------|------|---------|
|               |       |              |       | NAME                                       | MODEL                                |       | HD         | OL         | SD     | SA      | HS    | CG   |         |
| 14711-611-000 | 72-   | EB1          | 4     | CIVIC1200                                  | SB1                                  | IN    | 34.0       | 112.8      | 6.6    | 45°     | c     | 5    |         |
| 14721-611-000 |       | ED2          |       |  |                                      | EX    | 30.0       | 112.7      | 6.6    | 45°     | d     | 5    |         |
| 14731-657-670 |       | EE/EF        |       |  |                                      | AUX   | 12.0       | 82.4       | 5.5    | 45°     | a     | 10   |         |
| 14731-657-671 |       |              |       |  |                                      |       |            |            |        |         |       |      |         |
| 14711-634-000 | 78-   | EB5/EN       | 4     | CIVIC1200                                  | SK, SL, SP, SS<br>SG, SH, SC, SF     | IN    | 36.0       | 109.5      | 6.6    | 45°     | c     | 5    |         |
| 14711-634-920 |       | ED           |       |  |                                      | EX    | 32.0       | 109.5      | 6.6    | 45°     | c     | 5    |         |
| 14711-634-921 |       | EE           |       |  |                                      |       |            |            |        |         |       |      |         |
| 14711-634-671 |       |              |       |  |                                      |       |            |            |        |         |       |      |         |
| 14721-634-940 |       |              |       |  |                                      |       |            |            |        |         |       |      |         |
| 14721-634-000 |       |              |       |  |                                      |       |            |            |        |         |       |      |         |
| 14721-634-671 |       |              |       |  |                                      |       |            |            |        |         |       |      |         |
| 14721-634-920 |       |              |       |  |                                      |       |            |            |        |         |       |      |         |
| 14721-634-980 |       |              |       |  |                                      |       |            |            |        |         |       |      |         |
| 14711-671-000 | 79-   | EC           | 4     | CIVIC1500,<br>COUNTRY1500,<br>BALLADE 1500 | SE, VB, SG, SH, SC<br>SF, SR, ST, WD | IN    | 35.0       | 112.8      | 6.6    | 45°     | c     | 5    |         |
| 14711-671-003 | 79-   | ED           |       |  |                                      | EX    | 28.0       | 113.7      | 6.6    | 45°     | c     | 5    |         |
| 14721-657-671 | EF    |              |       |  |                                      |       |            |            |        |         |       |      |         |
| 14721-657-673 | EJ    |              |       |  |                                      |       |            |            |        |         |       |      |         |
| 14721-657-000 |       |              |       |  |                                      |       |            |            |        |         |       |      |         |
| 14721-657-003 |       |              |       |  |                                      |       |            |            |        |         |       |      |         |
| 14731-657-003 |       |              |       |  |                                      | AUX   | 12.0       | 89.5       | 5.5    | 45°     | a     | 6    |         |
| 14711-611-000 | 75-78 | EE           |       |  |                                      | 4     | CIVIC1200  | SC, SG, SH | IN     | 34.0    | 112.8 | 6.6  |         |
| 14721-657-673 | 76-79 | EF           | 4     | ACCORD1600                                 | SJ                                   | EX    | 28.0       | 113.7      | 6.6    | 45°     | c     | 5    |         |
| 14721-657-003 |       |              |       |  |                                      | EX    | 28.0       | 113.2      | 6.6    | 45°     | c     | 5    |         |
| 14731-657-003 |       |              |       |  |                                      | AUX   | 12.0       | 89.5       | 5.5    | 45°     | a     | 6    |         |
| 14711-671-000 |       |              |       |  |                                      | 78-   | EF         | 4          | ACCORD | B, SJ-1 | IN    | 35.0 | 112.8   |
| 14711-671-003 | EJ    | 4            | CIVIC | EX   | 28.0                                 |       | 113.0      | 6.6        | 45°    |         | d     | 5    |         |
| 14721-657-671 |       |              |       |  |                                      |       |            |            |        |         |       |      |         |
| 14721-657-672 |       |              |       |  |                                      |       |            |            |        |         |       |      |         |
| 14721-657-673 |       |              |       |  |                                      |       |            |            |        |         |       |      |         |
| 14731-657-671 | AUX   | 12.0         | 88.4  | 5.5  | 45°                                  | a     | 21         |            |        |         |       |      |         |
| 14711-PA6-000 | 82-   | EJ           | 4     | CIVIC1500<br>ACCLAIM                       | SL, ST, SR                           | IN    | 35.0       | 114.4      | 6.6    | 45°     | c     | 5    |         |
| 14721-PA6-000 |       | EM           |       |  |                                      | EX    | 28.0       | 114.5      | 6.6    | 45°     | d     | 5    |         |
| 14731-PA6-000 |       |              |       |  |                                      | AUX   | 12.0       | 94.7       | 6.6    | 45°     | a     | 5    |         |
| 14711-671-000 | 76-78 | EK           | 4     | ACCORD                                     | B, SH-1                              | IN    | 35.0       | 112.8      | 6.6    | 45°     | c     | 5    |         |
| 14711-671-003 |       |              |       |  |                                      | EX    | 28.0       | 113.0      | 6.6    | 45°     | d     | 5    |         |
| 14721-657-010 |       |              |       |  |                                      |       |            |            |        |         |       |      |         |
| 14721-657-671 |       |              |       |  |                                      |       |            |            |        |         |       |      |         |
| 14731-657-671 | AUX   | 12.0         | 88.4  | 5.5  | 45°                                  | a     | 21         |            |        |         |       |      |         |
| 14711-PC1-000 | 78-   | EK           | 4     | ACCORD1800,<br>PRELUDE1800<br>VIGOR1800    | SM, SZ, SN                           | IN    | 36.0       | 113.3      | 7.0    | 45°     | c     | 7    |         |
| 14721-PC1-000 |       |              |       |  |                                      | EX    | 30.0       | 113.2      | 7.0    | 45°     | c     | 7    |         |
| 14721-PC3-600 |       |              |       |  |                                      |       |            |            |        |         |       |      |         |
| 14731-689-000 |       |              |       |  |                                      |       |            |            |        |         |       |      |         |

HONDA

ENGINE VALVE

| O.E PART NO.  | YEAR       | ENGINE MODEL         | CYL | VEHICLE   |  | IN EX | DIMENSIONS |       |      |     |     |    | REMARKS |    |
|---------------|------------|----------------------|-----|---|--|-------|------------|-------|------|-----|-----|----|---------|----|
|               |            |                      |     | NAME  | MODEL  |       | HD         | OL    | SD   | SA  | HS  | CG |         |    |
| 14711-689-000 | 80-        | EK                   | 4   | ACCORDE 1800,<br>PRELUDE 1800                           | SM100, SN10                                    | IN    | 34.0       | 113.3 | 7.0  | 45° | c   | 7  |         |    |
| 14721-676-641 |            |                      |     |   |  | EX    | 28.0       | 113.7 | 7.0  | 45° | c   | 7  |         |    |
| 14721-689-660 |            |                      |     |   |  |       | 28.0       | 113.0 | 7.0  | 45° | d   | 7  |         |    |
| 14721-689-000 |            |                      |     |   |  |       | 12.0       | 89.5  | 6.6  | 45° | a   | 5  |         |    |
| 14731-689-000 |            |                      |     |   |  |       | AUX        | 12.0  | 89.5 | 6.6 | 45° | a  |         | 5  |
| 14721-PC3-600 | 82-        | EK                   | 4   | ACCORD  |  | EX    | 30.0       | 113.7 | 7.0  | 45° | c   | 7  |         |    |
| 14721-PC7-000 |            |                      |     |   |  |       | 35.0       | 121.5 | 7.0  | 45° | c   | 7  |         |    |
| 14721-PH1-600 |            |                      |     |   |  |       | 33.0       | 113.7 | 6.6  | 45° | c   | 7  |         |    |
| 14721-PE7-000 |            |                      |     |   |  |       |            |       |      |     |     |    |         |    |
| 14711-634-000 | 79-        | EN                   | 4   | CIVIC1300   | SK,SL,SP,SS,VE,<br>VC                          | IN    | 36.0       | 109.5 | 6.6  | 45° | c   | 5  |         |    |
| 14711-634-920 |            |                      |     |   |  | EX    | 32.0       | 110.2 | 6.6  | 45° | c   | 5  |         |    |
| 14721-PA1-000 |            |                      |     |   |  |       | AUX        | 12.0  | 97.7 | 6.6 | 45° | a  |         | 21 |
| 14721-PA1-671 |            |                      |     |   |  |       |            |       |      |     |     |    |         |    |
| 14731-PA6-660 |            |                      |     |   |  |       |            |       |      |     |     |    |         |    |
| 14711-PB2-000 | 80-        | EP/EL<br>EK1         | 4   | ACCORD1600,<br>QUINT1600<br>PRELUDE<br>QUINTET          | SV, SU, SY                                     | IN    | 35.0       | 113.3 | 7.0  | 45° | c   | 7  |         |    |
| 14721-676-641 |            |                      |     |   |  | EX    | 28.0       | 113.7 | 7.0  | 45° | c   | 7  |         |    |
| 14721-689-660 |            |                      |     |   |  |       | 28.0       | 113.2 | 7.0  | 45° | d   | 7  |         |    |
| 14721-689-000 |            |                      |     |   |  |       | 28.0       | 113.2 | 7.0  | 45° | d   | 7  |         |    |
| 14721-PB2-000 |            |                      |     |   |  |       | 28.0       | 113.1 | 7.0  | 45° | d   | 7  |         |    |
| 14731-PB2-000 |            |                      |     |   |  |       | AUX        | 12.0  | 93.8 | 6.6 | 45° | d  |         | 5  |
| 14711-PC6-000 | 83-        | ES<br>EY             | 4   | ACCORD1800,<br>PRELUDE1800<br>,ACCORD1600,<br>VIGOR1800 | AB AD<br>AC<br>(3 VALVE)                       | IN    | 30.0       | 120.5 | 6.6  | 45° | c   | 7  |         |    |
| 14711-PD4-000 | 83-        |                      |     |   |  | EX    | 26.0       | 120.5 | 6.6  | 45° | c   | 7  |         |    |
| 14721-PC6-000 | AUX        |                      |     |   |  |       | 35.0       | 120.7 | 7.0  | 45° | c   | 7  |         |    |
| 14721-PH1-000 |            |                      |     |   |  |       | 35.0       | 121.5 | 7.0  | 45° | c   | 7  |         |    |
| 14731-PC6-000 |            |                      |     |   |  |       | 12.0       | 96.7  | 6.6  | 45° | d   | 5  |         |    |
| 14711-PE0-000 | 73-<br>83- | EV/EY<br>EW          | 4   | CIVIC1300,<br>BALLADE1300,<br>CIVIC1500,<br>BALLADE1500 | AG, AK, A J, AE, VJ<br>AH, AK, AF<br>(3 VALVE) | IN    | 27.0       | 112.8 | 6.6  | 45° | c   | 7  |         |    |
| 14721-PE0-000 | EX         |                      |     |   |  | 32.0  | 114.0      | 6.6   | 45°  | c   | 7   |    |         |    |
| 14721-PE0-024 |            |                      |     |   |  | AUX   | 12.0       | 89.3  | 6.6  | 45° | d   | 5  |         |    |
| 14731-PE0-000 |            |                      |     |   |  |       |            |       |      |     |     |    |         |    |
| 14711-PE0-660 | 84-        | EV/EY<br>EW          | 4   | CIVIC1300, 1500<br>BALLADE1300,<br>1500                 | AG, AK, A J, SE,<br>AM                         | IN    | 30.0       | 112.8 | 6.6  | 45° | c   | 7  |         |    |
| 14721-PE0-660 |            |                      |     |   |  | EX    | 29.0       | 113.8 | 6.6  | 45° | c   | 7  |         |    |
| 14711-PD4-000 | 84-87      | A15<br>A18<br>A20    | 4   | ACCORD, INTEGRA,<br>CR-X<br>PRELUDE                     | D16A, ZC<br>BS, BT                             | IN    | 26.0       | 120.5 | 6.6  | 45° | c   | 7  |         |    |
| 14711-PG6-000 |            |                      |     |   |  | EX    | 30.0       | 105.5 | 6.6  | 45° | c   | 7  |         |    |
| 14721-PG6-000 |            |                      |     |   |  |       | 27.0       | 104.5 | 6.6  | 45° | c   | 7  |         |    |
| 14711-PH3-000 |            | B20A<br>C20A<br>C27A | 4   | LUGEND<br>PRELUDE                                       |  | IN    | 33.0       | 104.4 | 6.6  | 45° | c   | 7  |         |    |
| 14721-PH3-000 |            |                      |     |   |  | EX    | 28.0       | 106.0 | 6.6  | 45° | c   | 7  |         |    |
| 14711-PH3-000 |            | D13/D15              | 4   |   |  | IN    | 33.0       | 104.4 | 6.6  | 45° | c   | 7  |         |    |
| 14721-PH7-000 |            |                      |     |   |  | EX    | 27.5       | 106.6 | 6.6  | 45° | c   | 7  |         |    |

HONDA

ENGINE VALVE

| O.E PART NO.  | YEAR  | ENGINE MODEL         | CYL | VEHICLE                                 |             | IN EX | DIMENSIONS |       |       |     |     |    | REMARKS |  |
|---------------|-------|----------------------|-----|---|-------------|-------|------------|-------|-------|-----|-----|----|---------|--|
|               |       |                      |     | NAME                                    | MODEL       |       | HD         | OL    | SD    | SA  | HS  | CG |         |  |
| 14711-PM3-000 | 88-91 | D13/D15<br>ZC        | 4   | CIVIC, CR-X<br>INTEGRA1600<br>CIVIC1500 | D13, 15B-ZC | IN    | 29.0       | 115.0 | 5.5   | 45° | c   | 7  |         |  |
| 14711-PR4-A00 |       |                      |     |   |             |       | 31.0       | 105.4 | 6.6   | 45° | c   | 7  |         |  |
| 14721-PM3-000 |       |                      |     |   |             |       | EX         | 25.0  | 118.7 | 5.5 | 45° | c  | 7       |  |
| 14731-PD2-000 |       | D13/D15<br>ZC        |     |   |             | AUX   | 12.0       | 98.1  | 6.6   | 45° | d   | 5  |         |  |
| 14731-PD2-010 |       |                      |     |   |             |       |            |       |       |     |     |    |         |  |
| 14711-PO8-000 | 92-   | D16<br><br>D16A      | 4   | CIVIC/DEL SOL<br>CIVIC/DEL SOL(W/VTEC)  |             | IN    | 30.0       | 118.6 | 5.5   | 45° | c   | 7  |         |  |
| 14711-P2A-000 | 92-   |                      |     |   |             |       | EX         | 26.0  | 116.0 | 5.5 | 45° | c  | 7       |  |
| 14721-PO8-000 |       |                      |     |   |             |       |            |       |       |     |     |    |         |  |
| 14721-P2A-000 |       |                      |     |   |             |       |            |       |       |     |     |    |         |  |
| 14711-PO7-000 |       | D15                  | 4   |   |             | IN    | 27.5       | 120.0 | 5.5   | 45° | c   | 7  |         |  |
| 14721-PO7-000 |       |                      |     |   |             |       | EX         | 23.5  | 118.0 | 5.5 | 45° | c  | 7       |  |
| 14711-PT0-000 | 89-   | F18<br>F20           | 4   | ACCORD1800<br>2000                      | CB, CD      | IN    | 32.0       | 112.0 | 5.5   | 45° | c   | 7  |         |  |
| 14711-POJ-A00 |       |                      |     |   |             |       | 32.0       | 112.0 | 5.5   | 45° | c   | 7  |         |  |
| 14711-P0B-A00 |       |                      |     |   |             |       |            |       |       |     |     |    |         |  |
| 14721-PT0-000 |       |                      |     |   |             |       | EX         | 27.0  | 124.0 | 5.5 | 45° | c  | 7       |  |
| 14721-PT0-B00 |       |                      |     |   |             |       |            |       |       |     |     |    |         |  |
| 14711-PT2-000 | 92-   | F22<br>H23           | 4   | PRELUDE                                 |             | IN    | 34.0       | 104.0 | 6.6   | 45° | c   | 7  |         |  |
| 14721-PT2-000 |       |                      |     |   |             |       | EX         | 29.0  | 103.0 | 6.6 | 45° | c  | 7       |  |
| 14711-PT3-A00 | 90-   | F22A                 | 4   | ACCORD/PRELUDE<br><br>(W/O VTEC 92 ON)  | DX, LX      | IN    | 34.0       | 112   | 5.5   | 45° | c   | 7  |         |  |
| 14711-PT5-A00 |       |                      |     |   |             |       |            |       |       |     |     |    |         |  |
| 14711-PT5-000 |       |                      |     |   |             |       |            |       |       |     |     |    |         |  |
| 14711-PT7-000 |       |                      |     |   |             |       |            |       |       |     |     |    |         |  |
| 14721-PT3-A00 |       |                      |     |   |             |       | EX         | 29.0  | 123.5 | 5.5 | 45° | c  | 7       |  |
| 14721-POJ-A00 |       |                      |     |   |             |       |            | 29.0  | 123.5 | 5.5 | 45° | c  | 7       |  |
| 14721-PT6-A00 |       |                      |     |   |             |       |            | 29.0  | 124.0 | 5.5 | 45° |    |         |  |
| 14721-PT3-Y00 |       |                      |     |   |             |       |            |       |       |     |     |    |         |  |
| 14711-PY3-000 | 91-   |                      | 6   | LEGEND                                  |             | IN    | 32.8       | 114.8 | 5.5   | 45° | c   | 7  |         |  |
| 14711-PY6-000 |       |                      |     |   |             |       |            |       |       |     |     |    |         |  |
| 14721-PY3-000 |       |                      |     |   |             |       | EX         | 28.0  | 117.6 | 5.5 | 45° | c  | 7       |  |
| 14721-PK2-000 | 90-91 |                      | 4   | PRELUDE                                 |             | EX    | 28.0       | 105.0 | 6.6   | 45° | c   | 7  |         |  |
| 14711-P13-000 |       | H22                  |     | (W/FUEL INJECTION)                      |             | IN    | 35.0       | 107   | 5.5   | 45° | c   | 7  |         |  |
| 14721-P13-000 |       |                      |     |   |             |       | EX         | 30.0  | 107.0 | 5.5 | 45° |    |         |  |
| 14711-371-000 | 79-   | ACTY<br>EH<br>(OLD)  | 2   | TN550                                   |             | IN    | 38.0       | 102.4 | 6.6   | 45° |     |    |         |  |
| 14711-679-620 |       |                      |     |   |             |       |            |       |       |     |     |    |         |  |
| 14721-679-620 |       |                      |     |   |             |       | EX         | 32.0  | 101.3 | 6.6 | 45° |    |         |  |
| 14721-371-000 |       |                      |     |   |             |       |            |       |       |     |     |    |         |  |
| 14711-679-621 |       | ACTY<br>EH<br>(NEW)  |     |   |             | IN    | 37.0       | 102.2 | 6.6   | 45° |     |    |         |  |
| 14711-PH9-000 |       |                      |     |   |             |       | EX         | 33.0  | 101.2 | 6.6 | 45° |    |         |  |
| 14711-PR3-000 | 94-97 | B16A                 | 4   | CIVIC                                   | B18V        | IN    | 33.0       | 102.3 | 5.5   | 45° | c   | 7  |         |  |
| 14721-PR3-000 |       |                      |     |   |             |       | EX         | 28.0  | 102.5 | 5.5 | 45° | c  | 7       |  |
| 14711-P2A-000 | 96-98 | D13B<br>D15B<br>D16A |     | CIVIC                                   |             | IN    | 30.0       | 118.6 | 5.5   | 45° |     |    |         |  |
| 14721-P2A-000 |       |                      |     |   |             |       | EX         | 26.0  | 116.0 | 5.5 | 45° | c  | 7       |  |

HONDA

ENGINE VALVE

| O.E PART NO.   | YEAR | ENGINE MODEL  | CYL | VEHICLE                |               | IN EX  | DIMENSIONS |        |     |     |    |    | REMARKS |
|----------------|------|---------------|-----|------------------------|---------------|--------|------------|--------|-----|-----|----|----|---------|
|                |      |               |     | NAME                   | MODEL         |        | HD         | OL     | SD  | SA  | HS | CG |         |
| 14711-PV1-000  |      |               |     |                        |               | IN     | 34.0       | 112.0  | 5.5 | 45° | c  | 7  |         |
| 14721-PV1-000  |      |               |     |                        |               | EX     | 29.0       | 125.0  | 5.5 | 45° | c  | 7  |         |
| 14711-PC0-000  | 84-  | ER            | 4   | CITY                   |               | IN     | 30.0       | 118.0  | 6.6 | 45° |    |    |         |
| 14721-PC0-000  |      |               |     | JAZZ                   |               | EX     | 24.0       | 117.0  | 6.6 | 45° |    |    |         |
| 14711-ZF0-000  |      |               |     | UNIVERSAL SMALL ENGINE |               | IN     | 22.0       | 62.2   | 5.5 | 45° | c  | 5  |         |
| 14721-ZF0-000  |      |               |     |                        |               | EX     | 19.0       | 60.7   | 5.5 | 45° | c  | 5  |         |
| 14711-ZF1-000  |      |               |     | UNIVERSAL SMALL ENGINE |               | IN     | 25.0       | 63.8   | 5.5 | 45° | c  | 5  |         |
| 14721-ZF1-000  |      |               |     |                        |               | EX     | 24.0       | 62.3   | 5.5 | 45° | c  | 5  |         |
| 14711-POA-000  | 97-  | F23A          |     | NSX,NSX-T2.2L          | ACCORD 96 2.2 | IN     | 34.0       | 115.9  | 5.5 | 45° | c  | 7  |         |
| 14721-POA-000  |      |               |     |                        |               | EX     | 29.0       | 114.0  | 5.5 | 45° | c  | 7  |         |
| 14711-KC6-950  |      |               |     |                        |               | IN     | 30.0       | 91.0   | 5.5 | 45° | c  | 7  |         |
| 14715-KC6-950  |      |               |     |                        |               | EX     | 25.0       | 90.2   | 5.5 | 45° | c  | 7  |         |
| 14711-P36-000  |      | F6A           |     |                        |               | IN     | 24.5       | 115.8  | 5.5 | 45° | c  | 7  |         |
| 14615-P36-000  |      |               |     |                        |               | EX     | 21.0       | 117.6  | 5.5 | 45° | c  | 7  |         |
|                |      |               |     |                        |               | IN     |            |        |     |     |    |    |         |
| 14721-POA-Y00  |      |               |     |                        |               | EX     | 29.0       | 114.6  | 5.5 | 45° | c  | 7  |         |
| 14711-PNA-000  |      |               |     |                        |               | IN     |            |        |     |     |    |    |         |
| 14721-PNA-000  |      |               |     |                        |               | EX     |            |        |     |     |    |    |         |
| 14711-RBO-000  |      |               |     |                        |               | IN     |            |        |     |     |    |    |         |
| 14721-RBO-000  |      |               |     |                        |               | EX     |            |        |     |     |    |    |         |
| 14711-RNA-A00  |      | R18A          | 4   |                        |               | IN     | 32.0       | 116.7  | 5.5 | 45° |    |    |         |
| 14721-P1J-E00  |      |               |     | EX                     | 26.0          | 116.0  | 5.5        | 45°    |     |     |    |    |         |
| 14711-CR97-000 |      |               | 4   |                        |               | IN     | 31.0       | 105.5  | 6.6 | 45° |    |    |         |
| 14721-CR97-000 |      |               |     | EX                     | 28.0          | 106.0  | 6.6        | 45°    |     |     |    |    |         |
| 14711-POH-A00  |      |               | 4   | ACCORD 96 2.2          |               | IN     | 34.0       | 116.1  | 5.5 | 45° |    |    |         |
| 14721-POH-A00  |      |               |     | EX                     | 29.0          | 114.3  | 5.5        | 45°    |     |     |    |    |         |
| 14711-P36-000  |      | E07Z          | 3   | ACTY LIFE              |               | IN     | 24.5       | 115.7  | 5.5 | 45° |    |    |         |
| 14721-P36-000  |      |               |     | LIGHT-TRUCK            |               | EX     | 21         | 117.7  | 5.5 | 45° |    |    |         |
| 14711-PN4-000  |      | E07Z<br>(NEW) | 3   | ACTY LIFE              |               | IN     | 23.0       | 115.7  | 5.5 | 45° |    |    |         |
| 14721-PN4-000  |      |               |     | LIGHT-TRUCK            |               | EX     | 20.0       | 115.7  | 5.5 | 45° |    |    |         |
| 14711-REA-F00  |      | L13A<br>L15A  | 4   | FIT MOLBILIO           |               | IN     | 32.0       | 118.35 | 5.5 | 45° |    |    |         |
| 14711-PWA-000  |      |               |     | FIT1.4 8v              |               |        |            |        |     |     |    |    |         |
| 14721-PWA-000  |      |               |     | EX                     | 27.9          | 118.10 | 5.5        | 45°    |     |     |    |    |         |
| 14711-H30A-000 |      | H30A          |     |                        |               | IN     | 27.5       | 79.70  | 5.0 | 45° |    |    |         |
| 14721-H30A-000 |      |               |     | EX                     | 23.5          | 78.80  | 5.0        | 45°    |     |     |    |    |         |
| 14711-PWC-000  |      | L15A6         |     | FIT1.5L 16V            |               | IN     | 27.6       | 118.4  | 5.5 | 45° |    |    |         |
| 14721-PWC-010  |      |               |     |                        | EX            | 23.0   | 117.6      | 5.5    | 45° |     |    |    |         |
| 14711-PR4-000  |      | D18A          |     |                        |               | IN     | 31.0       | 105.5  | 6.6 | 45° |    |    |         |
| 14721-PH3-000  |      |               |     | EX                     | 28.0          | 106.0  | 6.6        | 45°    |     |     |    |    |         |
| 14711-889-000  |      | DA20          |     |                        |               | IN     | 34.0       | 99.6   | 7.0 | 45° |    |    |         |
| 14721-889-000  |      |               |     | EX                     | 29.0          | 100.5  | 7.0        | 45°    |     |     |    |    |         |
| 14711-883-000  |      |               |     |                        |               | IN     | 29.0       | 96.2   | 7.0 | 45° |    |    |         |
| 14721-883-010  |      |               |     | EX                     | 26.0          | 96.0   | 7.0        | 45°    |     |     |    |    |         |



# HONDA(MOTORCYCLE) ENGINE VALVE

| O.E PART NO.  | YEAR | ENGINE MODEL          | CYL | VEHICLE |       | IN EX | DIMENSIONS |       |     |     |    |    | REMARKS |
|---------------|------|-----------------------|-----|---------|-------|-------|------------|-------|-----|-----|----|----|---------|
|               |      |                       |     | NAME    | MODEL |       | HD         | OL    | SD  | SA  | HS | CG |         |
| 14711-028-000 |      | <b>CS90</b>           |     |         |       | IN    | 27.0       | 68.0  | 5.5 | 45° |    |    |         |
| 14721-028-000 |      | <b>CS90Z</b>          |     |         |       | EX    | 23.0       | 66.6  | 5.5 | 45° |    |    |         |
| 14721-028-602 |      |                       |     |         |       |       |            |       |     |     |    |    |         |
| 14711-087-000 |      | <b>C65/C70</b>        |     |         |       | IN    | 25.0       | 64.5  | 5.5 | 45° |    |    |         |
| 14721-087-000 |      | <b>C80</b>            |     |         |       | EX    | 22.0       | 63.9  | 5.5 | 45° |    |    |         |
| 14721-087-010 |      |                       |     |         |       |       |            |       |     |     |    |    |         |
| 14711-107-020 |      | <b>CB100</b>          |     |         |       | IN    | 27.5       | 93.4  | 5.5 | 45° |    |    |         |
| 14721-107-020 |      | <b>CB500</b>          |     |         |       | EX    | 21.0       | 92.2  | 5.5 | 45° |    |    |         |
| 14711-036-000 |      | <b>CF120/C50</b>      |     | C900    |       | IN    | 23.0       | 66.0  | 5.5 | 45° |    |    |         |
| 14721-036-000 |      | <b>C700/C800</b>      |     |         |       | EX    | 20.0       | 65.3  | 5.5 | 45° |    |    |         |
| 14711-GB6-910 |      | <b>C90</b>            |     | ASTREA  |       | IN    | 22.0       | 67.0  | 5.0 | 45° |    |    |         |
| 14721-GB6-910 |      | <b>C800A</b>          |     |         |       | EX    | 19.0       | 66.5  | 5.0 | 45° |    |    |         |
| 14711-GN5-911 |      | <b>C800S CH100</b>    |     |         |       | IN    | 23.0       | 65.9  | 5.0 | 45° |    |    |         |
| 14721-GF6-000 |      |                       |     |         |       | EX    | 20.0       | 65.0  | 5.0 | 45° |    |    |         |
| 14721-GF6-010 |      |                       |     |         |       |       |            |       |     |     |    |    |         |
| 14711-115-000 |      | <b>CB50</b>           |     |         |       | IN    | 22.5       | 80.2  | 5.5 | 45° |    |    |         |
| 14721-115-000 |      | <b>CB50T</b>          |     |         |       | EX    | 19.5       | 79.5  | 5.5 | 45° |    |    |         |
| 14711-152-000 |      | <b>XL100</b>          |     |         |       | IN    | 24.0       | 79.1  | 5.5 | 45° |    |    |         |
| 14721-116-000 |      |                       |     |         |       | EX    | 20.5       | 78.7  | 5.5 | 45° |    |    |         |
| 14711-087-710 |      | <b>C70MK3</b>         |     |         |       | IN    | 23.7       | 64.5  | 5.5 | 45° |    |    |         |
| 14721-087-710 |      | <b>C70Z2</b>          |     |         |       | EX    | 21.0       | 64.0  | 5.5 | 45° |    |    |         |
| 14711-081-010 |      | <b>PC50K1</b>         |     |         |       | IE    | 16.0       | 47.5  | 5.5 | 45° |    |    |         |
| 14721-081-010 |      |                       |     |         |       |       |            |       |     |     |    |    |         |
| 14711-001-010 |      | <b>C100</b>           |     |         |       | IN    | 22.0       | 61.2  | 5.5 | 45° |    |    |         |
| 14721-001-010 |      |                       |     |         |       | EX    | 19.0       | 60.7  | 5.5 | 45° |    |    |         |
| 14711-235-000 |      | <b>S110</b>           |     |         |       | IN    | 28.0       | 74.0  | 5.5 | 45° |    |    |         |
| 14721-350-000 |      |                       |     |         |       | EX    | 22.0       | 75.5  | 5.5 | 45° |    |    |         |
| 14711-GB2-000 |      | <b>C50C</b>           |     |         |       | IN    | 21.0       | 68.0  | 5.5 | 45° |    |    |         |
| 14721-GB2-000 |      |                       |     |         |       | EX    | 18.0       | 67.4  | 5.5 | 45° |    |    |         |
| 14711-383-000 |      | <b>CG110</b>          |     |         |       | IN    | 29.0       | 93.3  | 5.5 | 45° |    |    |         |
| 14721-383-000 |      | <b>CG125</b>          |     |         |       | EX    | 24.0       | 92.6  | 5.5 | 45° |    |    |         |
| 14711-KG2-000 |      | <b>GL145</b>          |     |         |       | IN    | 31.5       | 91.5  | 5.5 | 45° |    |    |         |
| 14721-KG2-000 |      | <b>GLPRO</b>          |     |         |       | EX    | 26.0       | 90.6  | 5.5 | 45° |    |    |         |
| 14711-437-000 |      | <b>XLS125</b>         |     |         |       | IN    | 30.0       | 92.0  | 5.5 | 45° |    |    |         |
| 14721-437-000 |      | <b>KG135/ 185/200</b> |     |         |       | EX    | 25.0       | 91.5  | 5.5 | 45° |    |    |         |
| 14711-107-020 |      | <b>GL100</b>          |     |         |       | IN    | 27.5       | 93.4  | 5.5 | 45° |    |    |         |
| 14721-323-000 |      |                       |     |         |       | EX    | 23.0       | 92.5  | 5.5 | 45° |    |    |         |
|               |      | <b>CBX150</b>         |     |         |       | IN    | 31.5       | 90.0  | 5.5 | 45° |    |    |         |
|               |      |                       |     |         |       | EX    | 26.0       | 89.3  | 5.5 | 45° |    |    |         |
| 14711-108-000 |      | <b>B12</b>            |     |         |       | IN    | 31.0       | 88.17 | 5.5 | 45° |    |    |         |
| 14711-B12-000 |      | <b>SY-125</b>         |     |         |       |       |            |       |     |     |    |    |         |
| 14721-108-000 |      |                       |     |         |       | EX    | 26.0       | 88.4  | 5.5 | 45° |    |    |         |
| 14721-B12-000 |      |                       |     |         |       |       |            |       |     |     |    |    |         |
| 12911-052111  |      | <b>GS125</b>          |     |         |       | IN    | 30.0       | 90.5  | 5.5 | 45° |    |    |         |
| 12912-052111  |      | <b>GS150N</b>         |     |         |       | EX    | 26.0       | 89.5  | 5.5 | 45° |    |    |         |
|               |      | <b>CH150</b>          |     |         |       | IN    | 26.0       | 80.9  | 5.0 | 45° |    |    |         |
|               |      |                       |     |         |       | EX    | 22.0       | 80.9  | 5   | 45° |    |    |         |

# HONDA(MOTORCYCLE) ENGINE VALVE

| O.E PART NO.   | YEAR | ENGINE MODEL | CYL | VEHICLE |       | IN EX | DIMENSIONS |       |     |     |    |    | REMARKS |
|----------------|------|--------------|-----|---------|-------|-------|------------|-------|-----|-----|----|----|---------|
|                |      |              |     | NAME    | MODEL |       | HD         | OL    | SD  | SA  | HS | CG |         |
| 14711-439-970  |      | GL100        |     |         |       | IN    | 27.5       | 91.5  | 5.5 | 45° |    |    |         |
| 14721-439-970  |      | CDI          |     |         |       | EX    | 23.0       | 91.0  | 5.5 | 45° |    |    |         |
| 14711-KW1-900  |      | GLPRO        |     |         |       | IN    | 31.5       | 89.0  | 5.5 | 45° |    |    |         |
| 14721-KG2-950  |      | CDI          |     |         |       | EX    | 26.0       | 88.5  | 5.5 | 45° |    |    |         |
| 14711-GY6-9000 |      | 豪邁125        |     |         |       | IN    | 24.0       | 64.8  | 5.0 | 45° |    |    |         |
| 14700-M8Q-0000 |      | GY6          |     |         |       |       |            |       |     |     |    |    |         |
| 14721-GY6-9000 |      |              |     |         |       | EX    | 21.5       | 64.3  | 5.0 | 45° |    |    |         |
| 14721-M8Q-0000 |      |              |     |         |       |       |            |       |     |     |    |    |         |
|                |      | GB2          |     |         |       | IN    | 21.0       | 68.3  | 5.5 | 45° |    |    |         |
|                |      |              |     |         |       | EX    | 18.0       | 67.4  | 5.5 | 45° |    |    |         |
|                |      | GB4          |     |         |       | IN    | 20.0       | 68.8  | 5.0 | 45° |    |    |         |
|                |      |              |     |         |       | EX    | 17.0       | 68.3  | 5.0 | 45° |    |    |         |
| 14711-KL3-670  |      | XL-350       |     |         |       | IN    | 32.0       | 103.5 | 5.5 | 45° |    |    |         |
| 14721-KFO-000  |      |              |     |         |       | EX    | 29.0       | 101.8 | 5.5 | 45° |    |    |         |
| 1654005006     |      | CG165        |     |         |       | IN    | 30.0       | 92.2  | 5.5 | 45° |    |    |         |
| 1654005007     |      |              |     |         |       | EX    | 25.0       | 91.0  | 5.5 | 45° |    |    |         |
|                |      | CE-90        |     |         |       | IN    | 23.0       | 66.0  | 5.5 | 45° |    |    |         |
|                |      |              |     |         |       | EX    | 20.0       | 65.3  | 5.5 | 45° |    |    |         |
| 14711-KBG-9000 |      | 豪邁50         |     |         |       | IN    | 18.5       | 64.1  | 5.0 | 45° |    |    |         |
| 14721-KBG-9000 |      |              |     |         |       | EX    | 16.0       | 64.1  | 5.0 | 45° |    |    |         |
| 14711-KBF-9000 |      | 豪邁150        |     |         |       | IN    | 27.8       | 65.9  | 5.0 | 45° |    |    |         |
| 14721-KBF-9000 |      | (GY6)        |     |         |       | EX    | 22.9       | 65.3  | 5.0 | 45° |    |    |         |
| 14711-KC6-920  |      | GLMAX /CDI   |     |         |       | IN    | 30.0       | 90.5  | 5.5 | 45° |    |    |         |
| 14721-KC6-920  |      |              |     |         |       | EX    | 25.3       | 89.8  | 5.5 | 45° |    |    |         |
|                |      | CB125T       |     |         |       | IN    | 30.0       | 91.1  | 5.5 | 45° |    |    |         |
|                |      |              |     |         |       | EX    | 25.0       | 90.4  | 5.5 | 45° |    |    |         |
|                |      | GY6          |     |         |       | IN    | 24.0       | 69.4  | 5.0 | 45° |    |    |         |
|                |      | (加長型)        |     |         |       | EX    | 21.5       | 70.9  | 5.0 | 45° |    |    |         |
|                |      | 三冠王          |     |         |       | IN    | 27.0       | 81.2  | 5.0 | 45° |    |    |         |
|                |      |              |     |         |       | EX    | 23.0       | 80.0  | 5.0 | 45° |    |    |         |
|                |      | WY-156FV     |     |         |       | IN    | 22.0       | 86.4  | 5.0 | 45° |    |    |         |
|                |      |              |     |         |       | EX    | 19.0       | 85.5  | 5.0 | 45° |    |    |         |
| 14711-019-000  |      | CG125        |     |         |       | IN    | 29.0       | 93.3  | 5.5 | 45° |    |    |         |
| 14721-019-000  |      |              |     |         |       | EX    | 24.0       | 92.6  | 5.5 | 45° |    |    |         |
| 14711-X01-0000 |      |              |     |         |       | IN    | 22.5       | 69.5  | 5.0 | 45° |    |    |         |
| 14721-X01-0000 |      |              |     |         |       | EX    | 19.0       | 68.7  | 5.0 | 45° |    |    |         |
| 14711-GN5-913  |      | DREAM        |     |         |       | IN    | 23.0       | 66.0  | 5.0 | 45° |    |    |         |
| 14711-GN5-912  |      |              |     |         |       |       |            |       |     |     |    |    |         |
| 14721-GF6-010  |      |              |     |         |       | EX    | 20.0       | 65.3  | 5.0 | 45° |    |    |         |
|                |      | CG200        |     |         |       | IN    | 33.0       | 91.9  | 5.5 | 45° |    |    |         |
|                |      |              |     |         |       | EX    | 29.0       | 91.06 | 5.5 | 45° |    |    |         |
| 253880         |      | 175C.C       |     |         |       | IN    | 20.0       | 77.3  | 4.0 | 45° |    |    |         |
| 253892         |      |              |     |         |       | EX    | 18.0       | 77.3  | 4.0 | 45° |    |    |         |
| 14711-R-30     |      |              |     |         |       | IN    | 24.0       | 85.19 | 5.0 | 45° |    |    |         |
| 14721-R-30     |      |              |     |         |       | EX    | 21.0       | 84.67 | 5.0 | 45° |    |    |         |
|                |      | MFS2503      |     |         |       | IN    | 31.0       | 99.9  | 5.0 | 45° |    |    |         |
|                |      |              |     |         |       | EX    | 26.0       | 98.6  | 5.0 | 45° |    |    |         |

# HONDA(MOTORCYCLE) ENGINE VALVE

| O.E PART NO.    | YEAR | ENGINE MODEL         | CYL | VEHICLE |       | IN<br>EX | DIMENSIONS |       |      |     |    |    | REMARKS |
|-----------------|------|----------------------|-----|---------|-------|----------|------------|-------|------|-----|----|----|---------|
|                 |      |                      |     | NAME    | MODEL |          | HD         | OL    | SD   | SA  | HS | CG |         |
| 14711-383-6600  |      |                      |     |         |       | IN       | 30.0       | 92.0  | 5.5  | 45° |    |    |         |
| 14721-KYO-9800  |      |                      |     |         |       | EX       | 24.0       | 92.6  | 5.5  | 45° |    |    |         |
| 14721-KCS-6500  |      |                      |     |         |       |          |            |       |      |     |    |    |         |
|                 |      | <b>H08</b>           |     |         |       | IN       | 27.8       | 74.6  | 5.0  | 45° |    |    |         |
|                 |      |                      |     |         |       | EX       | 22.9       | 73.2  | 5.0  | 45° |    |    |         |
|                 |      | <b>380</b>           |     |         |       | IN       | 25.0       | 66.0  | 5.0  | 45° |    |    |         |
|                 |      |                      |     |         |       | EX       | 22.0       | 65.3  | 5.0  | 45° |    |    |         |
|                 |      | <b>APE100</b>        |     |         |       | IN       | 28.0       | 78.0  | 4.0  | 45° |    |    |         |
|                 |      |                      |     |         |       | EX       | 23.0       | 76.6  | 4.0  | 45° |    |    |         |
|                 |      | <b>RV1<br/>SONIC</b> |     |         |       | IN       | 28.0       | 66.0  | 5.0  | 45° |    |    |         |
|                 |      |                      |     |         |       | EX       | 24.0       | 66.0  | 5.0  | 45° |    |    |         |
|                 |      | <b>RV1<br/>CBR70</b> |     |         |       | IN       | 34.0       | 64.0  | 5.0  | 45° |    |    |         |
|                 |      |                      |     |         |       | EX       | 29.5       | 64.0  | 5.0  | 45° |    |    |         |
| 14711-197-000   |      | <b>150C.C</b>        |     |         |       | IN       | 19.4       | 83.2  | 5.0  | 45° |    |    |         |
| 14721-197-000   |      |                      |     |         |       | EX       | 16.5       | 86.0  | 5.0  | 45° |    |    |         |
|                 |      | <b>三冠王<br/>奔騰NEW</b> |     |         |       | IN       | 27.0       | 81.2  | 5.0  | 45° |    |    |         |
|                 |      |                      |     |         |       | EX       | 27.0       | 81.2  | 5.0  | 45° |    |    |         |
| 14711-ZOZ-800   |      | <b>GX35</b>          |     |         |       | IN       | 15.5       | 42.3  | 3.5  | 45° |    |    |         |
| 14721-ZOZ-800   |      |                      |     |         |       | EX       | 14.0       | 42.3  | 3.5  | 45° |    |    |         |
| 14711-KGH-900   |      | <b>SONIC</b>         |     |         |       | IN       | 28.0       | 81.2  | 5.0  |     |    |    |         |
| 14721-KGH-900   |      |                      |     |         |       | EX       | 24.0       | 80.0  | 5.0  |     |    |    |         |
| 14711-KFM-900   |      | <b>WAVE110</b>       |     |         |       | IN       | 23.0       | 66.0  | 5.0  |     |    |    |         |
| 14721-GF6-010   |      |                      |     |         |       | EX       | 20.0       | 65.4  | 5.0  |     |    |    |         |
| 14711-KPH-900   |      | <b>WAVE125</b>       |     |         |       | IN       | 24.0       | 72.0  | 5.0  |     |    |    |         |
| 14721-KPH-900   |      |                      |     |         |       | EX       | 21.0       | 71.7  | 5.0  |     |    |    |         |
| 12911-23F00-000 |      | <b>BEST</b>          |     |         |       | IN       | 25.0       | 79.9  | 5.0  |     |    |    |         |
| 12912-23F00-000 |      | <b>BEST125</b>       |     |         |       | EX       | 22.0       | 79.7  | 5.0  |     |    |    |         |
| 12911-30D00     |      | <b>VIVA</b>          |     |         |       | IN       | 25.0       | 67.2  | 5.0  |     |    |    |         |
| 12912-30D00     |      |                      |     |         |       | EX       | 22.0       | 67.0  | 5.0  |     |    |    |         |
|                 |      | <b>JX110</b>         |     |         |       | IN       | 29.0       | 93.6  | 5.45 |     |    |    |         |
|                 |      |                      |     |         |       | EX       | 24.08      | 92.58 | 5.44 |     |    |    |         |
| 4YS-E2111-00    |      | <b>RAINBOW</b>       |     |         |       | IN       | 23.0       | 65.4  | 4.5  |     |    |    |         |
| 4YS-E2121-00    |      |                      |     |         |       | EX       | 20.0       | 64.8  | 4.5  |     |    |    |         |
| 12004-1158      |      | <b>CHEER</b>         |     |         |       | IN       | 24.0       | 71.3  | 4.5  |     |    |    |         |
| 12005-1333      |      |                      |     |         |       | EX       | 21.0       | 70.4  | 4.5  |     |    |    |         |
| 14711-KPP-900   |      | <b>CBR</b>           |     |         |       | IN       | 25.5       | 81.7  | 3.79 |     |    |    |         |
| 14721-KPP-900   |      |                      |     |         |       | EX       | 21.0       | 82.3  | 3.77 |     |    |    |         |
| 5TN-E2111-00    |      | <b>SPARK110</b>      |     |         |       | IN       | 23.0       | 65.4  | 4.5  |     |    |    |         |
| 5TN-E2121-00    |      |                      |     |         |       | EX       | 20.0       | 64.8  | 4.5  |     |    |    |         |
| 5YP-E2111-00    |      | <b>SPARK135</b>      |     |         |       | IN       | 19.5       | 85.0  | 4.5  |     |    |    |         |
| 5YP-E2121-00    |      |                      |     |         |       | EX       | 17.0       | 85.0  | 4.5  |     |    |    |         |
| 12911-09G20-000 |      | <b>SMASH</b>         |     |         |       | IN       | 25.0       | 67.2  | 5.0  |     |    |    |         |
| 12912-20G20-000 |      |                      |     |         |       | EX       | 22.0       | 66.9  | 5.0  |     |    |    |         |
| 12004-1158      |      | <b>KAZE125</b>       |     |         |       | IN       | 24.0       | 71.3  | 4.5  |     |    |    |         |
| 12005-1333      |      |                      |     |         |       | EX       | 21.0       | 70.4  | 4.5  |     |    |    |         |

**HONDA(MOTORCYCLE ) ENGINE VALVE**

| O.E PART NO.  | YEAR | ENGINE MODEL    | CYL | VEHICLE |       | IN<br>EX | DIMENSIONS |      |     |    |    |    | REMARKS |
|---------------|------|-----------------|-----|---------|-------|----------|------------|------|-----|----|----|----|---------|
|               |      |                 |     | NAME    | MODEL |          | HD         | OL   | SD  | SA | HS | CG |         |
| 14711-KVB-900 |      | <b>CLICK</b>    |     |         |       | IN       | 25.5       | 76.6 | 5.0 |    |    |    |         |
| 14721-KVB-900 |      |                 | EX  | 21.0    | 74.5  | 5.0      |            |      |     |    |    |    |         |
| 5LW-E2111-00  |      | <b>NOUVO110</b> |     |         |       | IN       | 23.0       | 66.4 | 5.0 |    |    |    |         |
| 5LW-E2121-00  |      |                 | EX  | 20.0    | 65.3  | 5.0      |            |      |     |    |    |    |         |
| 5P0-E2111-00  |      | <b>NOUVO135</b> |     |         |       | IN       | 28.0       | 82.1 | 5.0 |    |    |    |         |
| 5P0-E2121-00  |      |                 | EX  | 22.5    | 81.5  | 5.0      |            |      |     |    |    |    |         |
|               |      | <b>TIGER</b>    |     |         |       | IN       | 27.0       | 65.7 | 5.0 |    |    |    |         |
|               |      |                 | EX  | 23.0    | 65.1  | 5.0      |            |      |     |    |    |    |         |

LUKANG



## ISUZU

## ENGINE VALVE

| O.E PART NO.                   | YEAR  | ENGINE MODEL               | CYL           | VEHICLE              |  | IN EX  | DIMENSIONS |       |       |      |       |      | REMARKS |       |      |     |   |
|--------------------------------|-------|----------------------------|---------------|----------------------|--|--|------------|-------|-------|------|-------|------|---------|-------|------|-----|---|
|                                |       |                            |               | NAME                 | MODEL  |  | HD         | OL    | SD    | SA   | HS    | CG   |         |       |      |     |   |
| 9-12551-142-0                  | 65-70 | <b>D370</b><br><b>D400</b> | 6             | DIESEL TRUCK,<br>BUS | TY20/41 BY30   | IN   | 43.0       | 127.8 | 9.0   | 45°  | d     | 7    |         |       |      |     |   |
| EX                             |       |                            |               |                      |  | 35.0   | 127.8      | 9.0   | 45°   | d    | 7     |      |         |       |      |     |   |
| 9-12552-143-0<br>9-12552-131-0 |       |                            |               |                      |  |  |            |       |       |      |       |      |         |       |      |     |   |
| 9-12551-109-0                  | 68-   | <b>D920</b>                | 6             | DIESEL TRUCK,        | TD, BU   | IN   | 56.0       | 163.0 | 12.0  | 60°  | d     | 8    |         |       |      |     |   |
| 9-12551-120-0                  |       |                            |               |                      |  |  |            |       |       |      |       |      |         |       |      |     |   |
| 9-12551-134-0                  | 80-   | <b>E110</b>                |               | DIESEL TRUCK,        | TDJ, CTM   |  |            |       |       |      |       |      |         |       |      |     |   |
| 9-12551-150-0                  |       |                            |               |                      |  |  |            |       |       |      |       |      |         |       |      |     |   |
| 9-12551-105-0                  | 80-   | <b>6QA1</b>                |               |                      |  | EX   | 51.0       | 163.0 | 12.0  | 60°  | d     | 8    |         |       |      |     |   |
| 9-12552-153-0                  |       |                            |               |                      |  |  |            |       |       |      |       |      |         |       |      |     |   |
| 9-12552-198-0                  |       |                            |               |                      |  |  |            |       |       |      |       |      |         |       |      |     |   |
| 9-12552-168-0                  |       | <b>6QB1</b>                |               |                      |  |  |            |       |       |      |       |      |         |       |      |     |   |
| 9-12552-197-0                  |       |                            |               |                      |  |  |            |       |       |      |       |      |         |       |      |     |   |
| 9-12552-262-0                  |       |                            |               |                      |  |  |            |       |       |      |       |      |         |       |      |     |   |
| 9-12552-262-1                  |       |                            |               |                      |  |  |            |       |       |      |       |      |         |       |      |     |   |
| 9-12552-254-0                  |       |                            |               |                      |  |  |            |       |       |      |       |      |         |       |      |     |   |
| 9-12552-167-0                  |       |                            |               |                      |  |  |            |       |       |      |       |      |         |       |      |     |   |
| 9-12552-167-1                  |       |                            |               |                      |  |  |            |       |       |      |       |      |         |       |      |     |   |
| 9-12552-262-2                  |       |                            |               |                      |  |  |            |       |       |      |       |      |         |       |      |     |   |
| 9-12552-179-0                  |       |                            |               |                      |  |  |            |       |       |      |       |      |         |       |      |     |   |
| 9-12552-179-1                  |       |                            |               |                      |  |  |            |       |       |      |       |      |         |       |      |     |   |
| 9-12552-058-0                  |       |                            |               |                      |  |  |            |       |       |      |       |      |         |       |      |     |   |
| 9-12551-022-0                  | 56-   | <b>DA120</b>               | 6             | DIESEL TRUCK,<br>BUS | TXD10/60, BA343  | IN   | 44.0       | 144.0 | 10.0  | 45°  | d     | 1    |         |       |      |     |   |
| 9-12551-072-0                  |       |                            |               |                      |  |  |            |       |       |      |       |      |         |       |      |     |   |
| 9-12551-073-0                  |       |                            |               |                      |  |  |            |       |       |      |       |      |         |       |      |     |   |
| 9-12552-035-0                  | 56-   | <b>DA640</b>               | 6             | DIESEL TRUCK,<br>BUS | BR10/20, BB341   | EX   | 40.0       | 144.0 | 10.0  | 45°  | d     | 1    |         |       |      |     |   |
| 9-12552-105-0                  |       |                            |               |                      |  |  |            |       |       |      |       |      |         |       |      |     |   |
| 9-12552-102-0                  |       |                            |               |                      |  |  |            |       |       |      |       |      |         |       |      |     |   |
| 9-12552-054-0                  |       |                            |               |                      |  |  |            |       |       |      |       |      |         |       |      |     |   |
| 9-12552-150-0                  |       |                            |               |                      |  |  |            |       |       |      |       |      |         |       |      |     |   |
| 9-12551-071-0                  | 65-   | <b>DA120</b>               | 6             | DIESEL TRUCK,<br>BUS | TXD30/70, BA351  | IN   | 44.0       | 144.0 | 10.0  | 45°  | d     | 7    |         |       |      |     |   |
| 9-12552-103-0                  |       |                            |               |                      |  |  |            |       | EX    | 40.0 | 144.0 | 10.0 |         | 45°   | d    | 1   |   |
| 9-12552-121-0                  | 65-   | <b>DA640</b>               |               | DIESEL TRUCK,<br>BUS | BR351, BB351   |  |            |       |       |      |       |      |         |       |      |     |   |
| 9-12552-157-0                  |       |                            |               |                      |  |  |            |       |       |      |       |      |         |       |      |     |   |
| 9-12552-151-0                  |       |                            |               |                      |  |  |            |       |       |      |       |      |         |       |      |     |   |
| 9-12551-132-0                  | 58-81 | <b>DA120</b>               | 6             | DIESEL TRUCK         | TSD, TWD, TXD<br>BXD, SFR, TWD, BA,<br>BF, BR<br>(DUAL-GROOVE) | IN   | 44.0       | 144.0 | 10.0  | 45°  | d     | 8    |         |       |      |     |   |
| 9-12551-125-0                  |       |                            |               |                      |  |  |            |       |       |      |       |      |         |       |      |     |   |
| 9-88511-175-0                  | 69-   | <b>DA640</b>               |               | DIESEL TRUCK,        |  |  |            |       |       |      |       |      |         |       |      |     |   |
| 9-88511-177-0                  |       |                            |               |                      |  | EX   | 40.0       | 144.0 | 10.0  | 45°  | d     | 8    |         |       |      |     |   |
| 9-12552-177-0                  |       |                            |               |                      |  |  |            |       |       |      |       |      |         |       |      |     |   |
| 9-12552-208-0                  |       |                            |               |                      |  |  |            |       |       |      |       |      |         |       |      |     |   |
| 9-12552-217-0                  |       |                            |               |                      |  |  |            |       |       |      |       |      |         |       |      |     |   |
| 9-88511-176-0                  |       |                            |               |                      |  |  |            |       |       |      |       |      |         |       |      |     |   |
| 9-88511-178-0                  |       |                            |               |                      |  |  |            |       |       |      |       |      |         |       |      |     |   |
| 9-12552-054-0                  |       |                            |               |                      |  |  |            |       |       |      |       |      |         |       |      |     |   |
| 9-12552-169-0                  |       |                            |               |                      |  |  |            |       |       |      |       |      |         |       |      |     |   |
| 1-12551-002-0                  | 73-   | <b>DA640</b>               | 6             | DIESEL TRUCK         | TSD, TWD, TXD  | IN   | 46         | 144.0 | 10.0  | 45°  | d     | 8    |         |       |      |     |   |
| 1-12551-008-0                  |       |                            |               |                      |  |  |            |       |       |      |       |      |         |       |      |     |   |
| 1-12551-003-0                  |       |                            | <b>DA120</b>  | 6                    | DIESEL TRUCK,  | BXD, SFR, TWD<br>BA, BF, BR<br>(DUAL-GROOVE) | EX         | 42.0  | 144.0 | 10.0 | 45°   | d    |         | 8     |      |     |   |
| 1-12551-013-0                  |       |                            | <b>DA220</b>  |                      |  |  |            |       |       |      |       |      |         |       |      |     |   |
| 1-12552-001-0                  |       |                            | <b>DA640T</b> |                      |  |  |            |       |       |      |       |      |         |       |      |     |   |
| 1-12552-003-1                  |       |                            |               |                      |  |  |            |       |       |      |       |      |         |       |      |     |   |
| 1-12552-003-0                  |       |                            |               |                      |  |  |            |       |       |      |       |      |         |       |      |     |   |
| 1-12552-007-0                  |       |                            |               |                      |  |  |            |       |       |      |       |      |         |       |      |     |   |
| 9-12551-030-0                  | 63-   | <b>DH100</b>               | 6             | DIESEL TRUCK         | TD40/90 TP60/70/80   | IN   | 54.0       | 164.0 | 12.0  | 45°  | d     | 1    |         |       |      |     |   |
| 9-12551-077-0                  |       |                            |               |                      |  |  |            |       |       |      | EX    | 48.0 |         | 164.0 | 12.0 | 45° | a |
| 9-12552-154-0                  |       |                            |               |                      |  |  |            |       |       |      |       |      |         |       |      |     |   |
| 9-12552-089-0                  |       |                            |               |                      |  |  |            |       |       |      |       |      |         |       |      |     |   |
| 9-12552-049-0                  |       |                            |               |                      |  |  |            |       |       |      |       |      |         |       |      |     |   |
| 9-12552-061-0                  |       |                            |               |                      |  |  |            |       |       |      |       |      |         |       |      |     |   |
| 9-12552-111-0                  |       |                            |               |                      |  |  |            |       |       |      |       |      |         |       |      |     |   |
| 9-12552-207-0                  |       |                            |               |                      |  |  |            |       |       |      |       |      |         |       |      |     |   |
| 9-12552-127-0                  |       |                            |               |                      |  |  |            |       |       |      |       |      |         |       |      |     |   |

## ISUZU

## ENGINE VALVE

| O.E PART NO.  | YEAR       | ENGINE MODEL  | CYL         | VEHICLE  |   | IN EX | DIMENSIONS |       |      |     |    |     | REMARKS |       |       |     |     |     |   |  |  |  |  |  |  |
|---|------------|---|-------------|--|---|-------|------------|-------|------|-----|----|-----|---------|-------|-------|-----|-----|-----|---|--|--|--|--|--|--|
|   |            |   |             | NAME   | MODEL   |       | HD         | OL    | SD   | SA  | HS | CG  |         |       |       |     |     |     |   |  |  |  |  |  |  |
| 9-12551-188-0<br>9-12551-188-1<br>9-12551-197-1   | 70-        | <b>DH100</b>  | 6           | DIESEL TRUCK,<br>BUS   | SLR, TD, BD, CCM,<br>CLM                                      | IN    | 54.0       | 164.0 | 12.0 | 45° | d  | 8   |         |       |       |     |     |     |   |  |  |  |  |  |  |
| EX  |            |   |             |  |   | 48.0  |            |       |      |     |    |     |         | 164.0 | 12.0  | 45° | d   | 8   |   |  |  |  |  |  |  |
|   |            |   |             |  |   |       |            |       |      |     |    |     |         |       |       |     |     |     |   |  |  |  |  |  |  |
|   |            |   |             |  |   |       |            |       |      |     |    |     |         |       |       |     |     |     |   |  |  |  |  |  |  |
| 1-12551-010-0<br>1-12551-010-1<br>9-12551-192-0   | 70-        | <b>E120</b>   | 6           | DIESEL TRUCK,<br>BUS   | BUK SERIES<br><br>VPZ   | IN    | 47.0       | 164.0 | 11.0 | 45° | d  | 8   |         |       |       |     |     |     |   |  |  |  |  |  |  |
| EX  |            |   |             |  |   | 45.0  |            |       |      |     |    |     |         | 164.0 | 11.0  | 45° | d   | 8   |   |  |  |  |  |  |  |
|   |            |   |             |  |   |       |            |       |      |     |    |     |         |       |       |     |     |     |   |  |  |  |  |  |  |
|   |            |   |             |  |   |       |            |       |      |     |    |     |         |       |       |     |     |     |   |  |  |  |  |  |  |
| 1-12551-004-2<br>1-12551-004-0<br>1-12551-012-0<br>1-12551-057-0<br>1-12551-057-1<br>1-12551-025-2<br>1-12551-129-0<br>1-12551-047-1<br>1-12551-047-0 | 75-        | <b>E120T</b><br><br><b>8MA1</b>                           | 6           | DIESEL TRUCK,<br>BUS   | SPG, SPK, SPM,<br>SPR, SPZ<br><br>TG, TMK, YPE<br><br>BU, CPA | IN    | 47.0       | 164.0 | 11.0 | 45° | d  | 7-1 |         |       |       |     |     |     |   |  |  |  |  |  |  |
| EX  |            |   |             |  |   | 45.0  |            |       |      |     |    |     |         | 164.0 | 11.0  | 45° | d   | 7-1 |   |  |  |  |  |  |  |
|   |            |   |             |  |   |       |            |       |      |     |    |     |         |       |       |     |     |     |   |  |  |  |  |  |  |
|   |            |   |             |  |   |       |            |       |      |     |    |     |         |       |       |     |     |     |   |  |  |  |  |  |  |
| 1-12552-012-0<br>1-12552-006-0<br>1-12552-013-2<br>1-12552-013-0<br>1-12552-028-0   |            |   |             |  |   |       |            |       |      |     |    |     |         |       |       |     |     |     |   |  |  |  |  |  |  |
| 8-94216-589-0<br>8-94216-589-1  | 82-        | <b>4FB1</b>   | 4           | GEMINI1800,<br>FARGO   | PFD60, WFR50  | IN    | 39.0       | 132.3 | 8.0  | 45° | d  | 7   |         |       |       |     |     |     |   |  |  |  |  |  |  |
| 8-94108-307-0   | 82-        | <b>4FC1</b>   | 4           | FARGO, ASKA2000  | WFR51 J J510  | EX    | 34.0       | 132.3 | 8.0  | 45° | d  | 7   |         |       |       |     |     |     |   |  |  |  |  |  |  |
| 8-94216-590-0   | 83-        | <b>4FD1</b>   | 6           | FARGO  | WFS53   |       |            |       |      |     |    |     |         |       |       |     |     |     |   |  |  |  |  |  |  |
| 8-94449-047-0<br>8-94178-106-0<br>8-94178-106-2   | 92-        | <b>4FG1</b>   | 4           | FARGO  | WFK   | IN    | 39.0       | 134.3 | 8.0  | 45° | d  | 7   |         |       |       |     |     |     |   |  |  |  |  |  |  |
| 8-94449-048-0<br>8-94178-107-2  |            |   |             |  |   | EX    |            |       |      |     |    |     |         | 34.0  | 134.3 | 8.0 | 45° | d   | 7 |  |  |  |  |  |  |
|   |            |   |             |  |   |       |            |       |      |     |    |     |         |       |       |     |     |     |   |  |  |  |  |  |  |
|   |            |   |             |  |   |       |            |       |      |     |    |     |         |       |       |     |     |     |   |  |  |  |  |  |  |
| 5-12551-050-0<br>5-12551-005-0<br>9-12552-175-0<br>9-12552-098-0<br>9-12552-129-0<br>9-12552-215-0<br>9-12552-098-0                                   | 63-        | <b>G130</b><br><b>G150</b>                                | 4           | WAPS<br>BELLET   |   | IN    | 38.0       | 109.8 | 8.0  | 45° | c  | 7   |         |       |       |     |     |     |   |  |  |  |  |  |  |
| 9-12552-175-0<br>9-12552-098-0  |            |   |             |  |   | EX    |            |       |      |     |    |     |         | 32.0  | 109.8 | 8.0 | 45° | c   | 7 |  |  |  |  |  |  |
| 9-12552-129-0<br>9-12552-215-0<br>9-12552-098-0   |            |   |             |  |   |       |            |       |      |     |    |     |         |       |       |     |     |     |   |  |  |  |  |  |  |
|   |            |   |             |  |   |       |            |       |      |     |    |     |         |       |       |     |     |     |   |  |  |  |  |  |  |
|   |            |   |             |  |   |       |            |       |      |     |    |     |         |       |       |     |     |     |   |  |  |  |  |  |  |
|   |            |   |             |  |   |       |            |       |      |     |    |     |         |       |       |     |     |     |   |  |  |  |  |  |  |
|   |            |   |             |  |   |       |            |       |      |     |    |     |         |       |       |     |     |     |   |  |  |  |  |  |  |
| 9-12551-159-0<br>9-12551-128-0<br>9-12552-175-0<br>9-12552-215-0  | 68-        | <b>G161</b>   | 4           | BELLET, FLORIAN  | PR50/91, PA20   | IN    | 41.0       | 109.8 | 8.0  | 45° | c  | 7   |         |       |       |     |     |     |   |  |  |  |  |  |  |
| 9-12552-175-0<br>9-12552-215-0  |            |   |             |  |   | EX    |            |       |      |     |    |     |         | 32.0  | 109.8 | 8.0 | 45° | c   | 7 |  |  |  |  |  |  |
|   |            |   |             |  |   |       |            |       |      |     |    |     |         |       |       |     |     |     |   |  |  |  |  |  |  |
|   |            |   |             |  |   |       |            |       |      |     |    |     |         |       |       |     |     |     |   |  |  |  |  |  |  |
| 8-94205-977-0<br>8-94200-742-0  | 66-        | <b>G161Z</b>  | 4           | FLORIAN 1600,<br>BELLET1600  | PA, KA, KB, PF, KR  | IN    | 42         | 109.6 | 8.0  | 45° | c  | 2   |         |       |       |     |     |     |   |  |  |  |  |  |  |
| 8-94200-745-0<br>8-94200-977-0<br>8-94200-743-0<br>8-94212-835-0  | 69-<br>80- | <b>G180</b><br><b>G18Z</b><br><br><b>G200</b>             | 4<br>4<br>4 | GEMINI1600,<br>117COUPE1800,<br>FLORIAN<br>PIAZZA2000,<br>TROOPER, | PA, PF, KB<br>JR, PA, UBS, KB                                 | EX    | 34.0       | 110.8 | 8.0  | 45° | c  | 2   |         |       |       |     |     |     |   |  |  |  |  |  |  |
| 8-94217-178-0<br>8-94119-147-0<br>8-94217-179-0<br>8-94218-179-0  | 80-        | <b>G161Z</b><br><b>G180</b><br><b>G18Z</b><br><b>G200</b> | 4<br>4<br>4 | CHEV, LUV1800  | KB30/40   | IN    | 40.4       | 110.6 | 8.0  | 45° | c  | 2   |         |       |       |     |     |     |   |  |  |  |  |  |  |
| 8-94119-147-0<br>8-94217-179-0<br>8-94218-179-0   |            |   |             |  |   | EX    |            |       |      |     |    |     |         | 34.0  | 109.3 | 8.0 | 45° | c   | 2 |  |  |  |  |  |  |
|   |            |   |             |  |   |       |            |       |      |     |    |     |         |       |       |     |     |     |   |  |  |  |  |  |  |
|   |            |   |             |  |   |       |            |       |      |     |    |     |         |       |       |     |     |     |   |  |  |  |  |  |  |

## ISUZU

## ENGINE VALVE

| O.E PART NO.  | YEAR  | ENGINE MODEL  | CYL           | VEHICLE                |                            | IN<br>EX    | DIMENSIONS     |                  |       |      |     |     | REMARKS |         |
|---------------|-------|---------------|---------------|------------------------|----------------------------|-------------|----------------|------------------|-------|------|-----|-----|---------|---------|
|               |       |               |               | NAME                   | MODEL                      |             | HD             | OL               | SD    | SA   | HS  | CG  |         |         |
| 5-12551-030-0 | 80-82 | <b>G180</b>   | 4             | CHEV, LUV 10-11(D)     |                            | IN          | 40.0           | 115.8            | 8.0   | 45°  | d   | 7   |         |         |
| 5-12552-038-0 |       |               |               |                        |                            | EX          | 34.0           | 115.8            | 8.0   | 45°  | d   | 7   |         |         |
| 8-94133-275-1 |       | <b>4JB1</b>   | 4             | ELF 2500               | 3                          | IN          | 40.1           | 118.1            | 8.0   | 45°  | d   | 7   |         |         |
| 8-94133-275-0 |       | <b>4JA1</b>   |               | ELF 2700               |                            |             |                |                  |       |      |     |     |         |         |
| 8-94133-028-1 |       |               |               |                        |                            |             |                |                  |       |      |     |     |         |         |
| 8-97010-464-0 |       |               |               |                        |                            |             |                |                  |       |      |     |     |         |         |
| 8-94464-921-1 |       | <b>4JB1CT</b> |               |                        |                            | EX          | 35.7           | 118.1            | 8.0   | 45°  | d   | 7   |         |         |
| 8-94247-875-1 |       |               |               |                        |                            |             |                |                  |       |      |     |     |         |         |
| 8-94133-875-1 |       |               |               |                        |                            |             |                |                  |       |      |     |     |         |         |
| 8-94433-245-0 |       |               |               |                        |                            |             |                |                  |       |      |     |     |         |         |
| 8-97010-463-0 |       |               |               |                        |                            |             |                |                  |       |      |     |     |         |         |
| 8-97131-729-1 |       | <b>4JG2</b>   | 4             |                        |                            | IN          | 42.1           | 117.53           | 8.0   | 45°  |     |     |         |         |
| 8-97080-214-0 |       |               |               |                        |                            | EX          | 35.7           | 117.53           | 8.0   | 45°  |     |     |         |         |
| 8-97131-729-0 |       |               |               |                        |                            |             |                |                  |       |      |     |     |         |         |
| 8-97118-767-1 |       |               |               |                        |                            |             |                |                  |       |      |     |     |         |         |
| 8-97043-861-0 |       |               |               |                        |                            |             |                |                  |       |      |     |     |         |         |
| 8-97065-970-0 |       |               |               |                        |                            |             |                |                  |       |      |     |     |         |         |
| 8-94118-767-0 |       |               |               |                        |                            |             |                |                  |       |      |     |     |         |         |
| 8-94171-291-0 |       | <b>4JC1</b>   | 4             |                        |                            | IN          | 38.0           | 118.70           | 8.0   | 45°  |     |     |         |         |
| 8-94171-292-0 |       |               |               |                        |                            | EX          | 32.0           | 118.70           | 8.0   | 45°  |     |     |         |         |
| 1-12551-005-0 | 76-   | <b>8PA1</b>   | V8            | DIESEL TRUCK           | SKS, SKW, SVZ              | IN          | 48.0           | 159.0            | 10.0  | 45°  | d   | 7-1 |         |         |
| 1-12551-005-1 | 74-   | <b>10PA1</b>  | V10           | DIESEL TRUCK,          | SRG, SRK, SRM,<br>SRZ, CRA |             |                |                  |       |      |     |     |         |         |
| 9-89930-820-0 |       |               |               |                        |                            | <b>8PB1</b> | DIESEL TRUCTOR | VTR, VTZ, WR, WZ |       |      |     |     |         |         |
| 1-12551-030-3 |       |               |               |                        |                            |             |                |                  |       |      |     |     |         |         |
| 1-12551-030-1 |       |               |               |                        |                            |             |                |                  |       |      |     |     |         |         |
| 1-12551-030-0 |       |               |               |                        |                            |             |                |                  |       |      |     |     |         |         |
| 1-12551-030-2 | 76-   | <b>12PA1</b>  | V12           | DIESEL TRUCK           | CVR, CXM, CXG,<br>CXK      | EX          | 46.0           | 159.0            | 10.0  | 45°  | d   | 7-1 |         |         |
| 1-12552-005-0 |       |               |               |                        |                            |             |                |                  |       |      |     |     |         |         |
| 1-12552-015-3 |       |               |               |                        |                            |             |                |                  |       |      |     |     |         |         |
| 1-12552-015-0 | 83-   | <b>12PB1</b>  | V12           | DIESEL TRUCK           | CXM, CXH                   |             |                |                  |       |      |     |     |         |         |
| 1-12552-015-1 |       |               |               |                        |                            |             |                |                  |       |      |     |     |         |         |
| 1-12552-015-2 |       |               |               |                        |                            |             |                |                  |       |      |     |     |         |         |
| 1-12552-015-4 |       |               |               |                        |                            |             |                |                  |       |      |     |     |         |         |
| 1-12552-026-0 |       |               |               |                        |                            |             |                |                  |       |      |     |     |         |         |
| 1-12551-057-0 | 81-   | <b>6RA1</b>   | 6             | TRUCK                  | SHM, CXM, CXG              | IN          | 46.0           | 165.5            | 11.0  | 60°  | d   | 7-1 |         |         |
| 1-12551-129-0 | 81-   |               | 6             | TRUCK, BUS             | CXM, CQA, CQM              |             |                |                  |       |      |     |     |         |         |
| 1-12551-015-4 |       |               | <b>(6RB2)</b> | 6                      |                            |             | EX             | 45.0             | 164.0 | 11.0 | 45° | d   |         | 7-1     |
| 1-12552-028-0 |       |               |               |                        |                            |             |                |                  |       |      |     |     |         |         |
| 1-12552-013-2 |       |               |               |                        |                            |             |                |                  |       |      |     |     |         |         |
| 1-12551-113-0 |       | <b>6RB1</b>   | 6             |                        |                            | IN          | 44.5           | 164.25           | 11.0  | 60°  |     |     |         |         |
| 1-12552-053-0 |       |               |               |                        |                            | EX          | 44.0           | 164.0            | 11.0  | 45°  |     |     |         |         |
| 9-12551-182-0 | 70-75 | <b>V170</b>   | V8            | TRUCTOR                | TV30ES TV30ZE              | IN          | 49.0           | 162.0            | 11.0  | 60°  | d   | 8   |         |         |
| 9-12551-177-0 |       |               |               |                        | TV40ZE TV40ZB              |             |                |                  |       |      |     |     |         |         |
| 9-12552-244-0 |       |               |               |                        | EX                         | 45.0        | 162.0          | 11.0             | 45°   | d    | 8   |     |         |         |
| 8-94250-977-0 | 85-   | <b>4XC1</b>   | 4             | GEMINI1500             | JT190/LN                   | IN          | 36.0           | 105.2            | 7.0   | 45°  | c   | 7   |         |         |
| 8-94151-069-0 |       |               |               | I-MARK                 |                            |             |                |                  |       |      |     |     |         |         |
| 8-94145-949-0 |       |               |               | <b>4XE1</b>            |                            | EX          | 31.0           | 105.2            | 7.0   | 45°  | c   | 7   |         |         |
| 8-94250-978-0 |       |               |               |                        |                            |             |                |                  |       |      |     |     |         |         |
| 8-94232-096-0 | 81-   | <b>4ZA1</b>   | 4             | FARGO1600              | WFR10                      | IN          | 40.4           | 110.6            | 8.0   | 45°  | c   | 2   |         |         |
| 8-94251-273-0 | 81-   |               | 4             | FARGO1800,<br>ASKA1800 | WFR11, JJ110               |             |                |                  |       |      |     |     |         |         |
| 8-94214-920-0 |       |               | <b>4ZB1</b>   | 4                      |                            |             | EX             | 34.0             | 110.2 | 8.0  | 45° | c   |         | 2       |
| 8-94251-274-0 |       |               |               |                        |                            |             |                |                  |       |      |     |     |         |         |
| 8-94136-726-0 |       |               |               |                        |                            |             |                |                  |       |      |     |     |         |         |
| 8-94460-637-0 |       |               |               |                        |                            |             |                |                  |       |      |     |     |         |         |
| 8-94251-275-0 | 83-   | <b>4ZC1</b>   | 4             | ASKA2000               | J J120                     | IN          | 42.4           | 110.6            | 8.0   | 45°  | c   | 2   |         |         |
| 8-94153-969-0 |       |               |               | IMPULSE                |                            |             |                |                  |       |      |     |     |         |         |
| 8-94251-276-0 |       |               |               | <b>4ZD1</b>            |                            | EX          | 36.0           | 110.1            | 8.0   | 45°  | c   | 2   |         |         |
| 8-94136-727-0 |       |               |               |                        |                            |             |                |                  |       |      |     |     |         | TROOPER |
| 8-94441-074-0 |       |               |               |                        |                            |             |                |                  |       |      |     |     |         |         |
| 8-97119-751-0 |       |               |               |                        |                            |             |                |                  |       |      |     |     |         |         |
| 8-94441-051-0 |       |               |               |                        |                            |             |                |                  |       |      |     |     |         |         |
| 8-94251-440-0 |       |               |               |                        |                            |             |                |                  |       |      |     |     |         |         |



## ISUZU

## ENGINE VALVE

| O.E PART NO.   | YEAR         | ENGINE MODEL   | CYL    | VEHICLE   |                          | IN<br>EX | DIMENSIONS   |                |            |            |        |              | REMARKS |
|--|--------------|--|--------|---|--------------------------|----------|--------------|----------------|------------|------------|--------|--------------|---------|
|  |              |  |        | NAME  | MODEL                    |          | HD           | OL             | SD         | SA         | HS     | CG           |         |
| 8-94110-016-3<br>8-94110-016-0<br>8-94370-173-1  | 86-          | <b>4EC1</b>  | 4      | GENIMI-DIESEL   |                          | IN       | 35           | 104.05         | 7.0        | 45°        | d      | 7            |         |
| 8-94110-017-3<br>8-94110-017-4<br>8-94110-017-0<br>8-94115-059-3<br>8-97037-059-1  |              | <b>4FCI(J)</b>   |        | FARGO   |                          | EX       | 31           | 103.95         | 7.0        | 45°        | d      | 7            |         |
| 8-94849-132-0<br>8-94845-133-0   |              |  |        |   |                          | IN<br>EX | 31<br>26     | 99.5<br>99.8   | 6.0<br>6.0 | 45°<br>45° | c<br>d | 7<br>7       |         |
| 8-94174-222-1<br>8-94447-025-0<br>8-94447-026-0<br>8-94174-223-1   | 86-          | <b>4ZE1</b><br><br><b>4ZD1</b>                                       | 4      | TROOPER   | UBS16                    | IN<br>EX | 44.2<br>37.0 | 108.6<br>108.2 | 8.0<br>8.0 | 45°<br>45° | c<br>c | 2<br>2       |         |
| 5-12551-001-0<br>5-12552-001-0   |              |  |        |   |                          | IN<br>EX | 41.0<br>35.0 | 117.0<br>116.8 | 8.0<br>8.0 | 45°<br>45° | c<br>c | 7<br>7       |         |
| 8-14031-328-0<br>8-14031-332-0   | 91-92<br>89- |  | 6<br>6 | TROOPER/RODEO/<br>PICK-UP V6<br>AMIGO/TROOPER/<br>PICK-UP | GM14031328<br>GM14031332 | IN<br>EX | 44<br>36     | 119.5<br>120.3 | 8.7<br>8.7 | 45°<br>45° | c<br>c | 15-1<br>15-1 |         |
| 8-94130-749-0<br>8-94153-576-0<br>8-94118-839-0<br>8-94153-577-1   |              |  | 4      | ELF   | D201                     | IN<br>EX | 38.0<br>32.0 | 115.8<br>115.8 | 8.0<br>8.0 | 45°<br>45° | d<br>d | 7<br>7       |         |
| 8-94360-140-1<br>8-94325-529-0<br>8-94325-529-1  | 89-92        |  | 4      | IMPULSE /<br>STYSLUS DOHC<br>TROOPER / RODEO              | GM94360140               | IN       | 31.0         | 101.0          | 6.0        | 45°        | c      | 7            |         |
| 8-97027-499-1<br>8-97027-092-0<br>8-97014-174-0<br>8-97014-174-1   | 91-          | <b>6VD1</b>  | 6      | TROOPER / RODEO   |                          | IN<br>EX | 34.0<br>30.0 | 114.0<br>99.4  | 6.0<br>6.0 | 45°<br>45° | c<br>c | 7<br>7       |         |
| 8-97015-546-0<br>8-97015-546-2<br>GM97015546<br>8-97015-547-0  | 91-          |  | 6      |   |                          | IN<br>EX | 34.0<br>30.0 | 99.1<br>100.5  | 6.0<br>6.0 | 45°<br>45° | c<br>c | 7<br>7       |         |
| 9-12551-045-0<br>9-12552-056-0   |              |  |        | ELF   | TLG G201                 | IN<br>EX | 42.0<br>34.0 | 116.2<br>116.0 | 8.0<br>8.0 | 45°<br>45° | c<br>c | 7<br>7       |         |
| 9-12551-174-0<br>9-12551-606-0<br>9-12552-607-0<br>9-12552-601-0   | 72-          | <b>G180/Z</b><br><br><b>G200</b><br><br><b>KB</b><br><br><b>G126</b> | 4<br>4 | LUV2, 3, 4<br>FLORIAN<br>GEMINI                           |                          | IN<br>EX | 43.0<br>33.0 | 107.5<br>107.5 | 8.0<br>8.0 | 45°<br>45° | c<br>c | 7<br>7       |         |
| 9-12552-128-0  |              |  | 4      | ELF   | C201/D201                | EX       | 30.0         | 108.3          | 8.0        | 45°        | c      | 7            |         |
| 1-12551-083-0<br>1-12551-063-0<br>1-12551-082-0<br>1-12551-081-0<br>1-12551-139-0<br>1-12552-052-0<br>1-12552-079-0<br>1-12552-083-0<br>1-12552-027-0<br>1-12552-080-0 | 84-          | <b>6BG1</b>  | 6      | TRUCK   | ETR12/FSR12              | IN<br>EX | 46.0<br>38   | 127.8<br>127.8 | 9.0<br>9.0 | 45°<br>45° | d<br>d | 7<br>7       |         |

## ISUZU

## ENGINE VALVE

| O.E PART NO.  | YEAR | ENGINE MODEL | CYL | VEHICLE       |         | IN EX | DIMENSIONS |        |      |     |    |     | REMARKS |
|---------------|------|--------------|-----|---------------|---------|-------|------------|--------|------|-----|----|-----|---------|
|               |      |              |     | NAME          | MODEL   |       | HD         | OL     | SD   | SA  | HS | CG  |         |
| 8-90232-973-0 |      |              |     |               |         | IN    | 38.0       | 101.0  | 7.0  | 45° | c  | 7   |         |
| 8-90232-977-0 |      |              |     |               |         | EX    | 31.0       | 101.1  | 7.0  | 45° | d  | 7   |         |
| 8-94450-952-0 |      |              | 4   |               |         | IN    | 28.0       | 104.2  | 6.0  | 45° | c  | 7   |         |
| 8-94450-953-0 |      |              |     | GEMINI, FARGO |         | EX    | 32.0       | 105.2  | 6.0  | 45° | c  | 7   |         |
| 8-94463-173-0 |      | 4FC1 (T)     | 4   |               |         | IN    | 37.0       | 134.3  | 8.0  | 45° | d  | 7   |         |
| 8-94463-174-0 |      |              |     | GEMINI, FARGO |         | EX    | 32.0       | 134.3  | 8.0  | 45° | d  | 7   |         |
| 8-94250-977-0 |      |              |     |               |         | IN    | 36.0       | 105.2  | 7.0  | 45° | c  | 7   |         |
| 8-94151-069-0 |      |              |     |               |         | EX    | 31.0       | 105.1  | 7.0  | 45° | c  | 7   |         |
| 8-94110-017-4 |      | 4FCI(T)      | 4   |               |         |       |            |        |      |     |    |     |         |
| 8-94110-017-0 |      |              |     |               |         |       |            |        |      |     |    |     |         |
| 8-94115-059-3 |      |              |     |               |         |       |            |        |      |     |    |     |         |
| 8-97037-059-1 |      |              |     |               |         |       |            |        |      |     |    |     |         |
| 8-94110-017-3 |      |              |     |               |         |       |            |        |      |     |    |     |         |
| 1-12551-136-1 |      | 10PD1        | 10  | TRUCK         |         | IN    | 50.0       | 159.2  | 10.0 | 45° | d  | 7-1 |         |
| 1-12551-136-3 |      |              |     |               | CXH/CXM |       |            |        |      |     |    |     |         |
| 1-12551-127-0 |      |              |     |               | CXZ     |       |            |        |      |     |    |     |         |
| 1-12552-097-0 |      | 10PE1        |     |               |         | EX    | 46.0       | 159.4  | 10.0 | 45° | d  | 7-1 |         |
| 1-12552-064-0 |      |              |     |               |         |       |            |        |      |     |    |     |         |
| 8-97135-036-1 |      |              |     |               |         | IN    | 35         | 104.1  | 7.0  | 45° | c  | 7   |         |
| 8-94395-113-1 |      |              |     |               |         | IN    | 46.5       | 140.95 | 9.0  | 60° |    |     |         |
| 8-94395-462-0 |      | 6HE1         | 6   |               |         | EX    | 42         | 140.6  | 9.0  | 45° | c  | 7   |         |
| 8-97033-864-2 | 89-  | 4HF1         | 4   | ELF           | KPR59   | IN    | 50.0       | 140.95 | 9.0  | 45° | d  | 7   |         |
| 8-94395-112-0 |      | 6HF1         | 6   |               |         |       |            |        |      |     |    |     |         |
| 8-94367-398-0 |      |              |     |               |         |       |            |        |      |     |    |     |         |
| 8-97219-509-1 |      | 4HK1         | 4   |               |         | EX    | 42.0       | 140.60 | 9.0  | 45° | c  | 7   |         |
| 8-97189-114-0 |      |              |     |               |         |       |            |        |      |     |    |     |         |
| 8-97060-415-0 |      |              |     |               |         |       |            |        |      |     |    |     |         |
| 8-97019-337-0 |      |              |     | TRUCK         |         |       |            |        |      |     |    |     |         |
| 8-94394-160-1 |      | 6HH1         | 6   |               |         | IN    | 51         | 141.03 | 9.0  | 45° |    |     |         |
| 8-97171-398-0 |      |              |     |               |         |       |            |        |      |     |    |     |         |
| 8-94395-462-0 |      | 4HF1/4HG1    |     |               |         | EX    | 42         | 140.6  | 9.0  | 45° | c  | 7   |         |
| 8-97171-399-0 |      |              |     |               |         |       |            |        |      |     |    |     |         |
| 8-94395-881-0 |      | 6HH1 24V     | 6   |               |         | IN    | 39.0       | 130.63 | 8.0  | 45° |    |     |         |
| 8-97209-876-2 |      | 6HK1         |     |               |         | EX    | 37.0       | 130.20 | 8.0  | 45° |    |     |         |
| 8-94395-882-0 |      | 6HK1T        | 6   |               |         | IN    | 37.0       | 130.55 | 8.0  | 60° |    |     |         |
| 8-97209-876-2 |      |              |     |               |         | EX    | 37.0       | 130.20 | 8.0  | 45° |    |     |         |
| 8-94395-883-0 |      |              |     |               |         |       |            |        |      |     |    |     |         |
| 8-97209-876-0 |      |              |     |               |         |       |            |        |      |     |    |     |         |
| 1-12551-049-0 |      |              | 6   |               |         | IN    | 48         | 131.9  | 10.0 | 45° | c  | 7-1 |         |
| 1-12552-063-0 |      |              |     | TRUCK         |         | EX    | 46         | 131.9  | 10.0 | 45° | c  | 7-1 |         |
| 1-12551-092-0 |      | 6SA1         | 6   |               |         | IN    | 49.0       | 134.1  | 10.0 | 60° | d  | 7-1 |         |
| 1-12551-111-1 |      |              |     |               |         |       |            |        |      |     |    |     |         |
| 1-12551-089-0 |      |              |     |               |         | IN    | 48.0       | 132.0  | 10.0 | 45° | c  | 7-1 |         |
| 1-12551-089-2 |      |              |     |               |         |       |            |        |      |     |    |     |         |
| 1-12552-136-0 |      |              |     |               |         | EX    |            |        |      |     |    |     |         |
| 1-12552-108-2 |      |              |     |               |         |       | 46.0       | 131.93 | 10.0 | 45° |    |     |         |
| 1-12551-158-3 |      | 6SD1         | 6   |               |         | IN    | 50.0       | 131.8  | 10.0 | 45° |    |     |         |
| 1-12551-128-0 |      |              |     |               |         |       |            |        |      |     |    |     |         |
| 1-12551-126-1 |      |              |     |               |         | IN    | 51.0       | 133.5  | 10.0 | 60° |    |     |         |
| 1-12551-076-0 |      |              |     |               |         |       |            |        |      |     |    |     |         |
| 1-12552-108-2 |      |              |     |               |         | EX    |            |        |      |     |    |     |         |
| 1-12552-050-0 |      |              |     |               |         |       | 46         | 131.9  | 10.0 | 45° | c  | 7-1 |         |
| 1-12552-085-0 |      |              |     |               |         |       |            |        |      |     |    |     |         |
| 1-12552-063-0 |      |              |     |               |         |       |            |        |      |     |    |     |         |

## ISUZU

## ENGINE VALVE

| O.E PART NO.  | YEAR | ENGINE MODEL    | CYL | VEHICLE |       | IN<br>EX | DIMENSIONS |        |        |        |      |     | REMARKS |     |
|---------------|------|-----------------|-----|---------|-------|----------|------------|--------|--------|--------|------|-----|---------|-----|
|               |      |                 |     | NAME    | MODEL |          | HD         | OL     | SD     | SA     | HS   | CG  |         |     |
| 1-12551-161-4 |      | 6SD1            | 6   |         |       | IN       | 51.0       | 133.68 | 10.0   | 60°    | d    | 7-1 |         |     |
| 1-12551-081-0 |      |                 |     |         |       |          |            |        |        |        |      |     |         |     |
| 1-12552-099-1 |      |                 |     |         |       |          |            | EX     | 46.5   | 133.43 | 10.0 | 45° | d       | 7-1 |
| 8-94447-218-0 | 88-  | 4EEI            | 4   | TROOPER | UBS17 | IN       | 44         | 108.6  | 8.0    | 45°    | c    | 2   |         |     |
| 8-94447-026-0 |      |                 |     |         |       | EX       | 37         | 108.1  | 8.0    | 45°    | c    | 2   |         |     |
| 5-12551-033-2 | 82-  | 4FA1            | 4   | ELF     | NKR58 | IN       | 31         | 132.3  | 8.0    | 45°    | d    | 7   |         |     |
| 5-12552-040-2 | 85-  | 4FE1            | 4   |         |       | EX       | 26         | 132.3  | 8.0    | 45°    | d    | 7   |         |     |
| 8-94178-102-2 |      | 4FA-1T          | 4   |         |       | IN       | 31.0       | 134.25 | 8.0    | 45°    | d    | 7   |         |     |
| 8-94410-960-2 |      | 4FG1/4FE1       |     |         |       | EX       | 26.0       | 134.30 | 8.0    | 45°    | d    | 7   |         |     |
| 8-98016-973-0 |      | 4JJ1            | 4   |         |       | IN       | 33         | 107.50 | 7.0    | 45°    | a    | 7   |         |     |
| 8-98016-974-1 |      |                 |     | EX      | 30    | 107.50   | 7.0        | 45°    | a      | 7      |      |     |         |     |
| 8-94116-930-4 |      | 3KC1            | 4   |         |       | IN       | 35.0       | 100.50 | 7.0    | 45°    | d    | 7   |         |     |
| 8-94116-931-4 |      |                 |     | EX      | 31.0  | 100.50   | 7.0        | 45°    | d      | 7      |      |     |         |     |
| 8-94149-088-2 |      | 3KR1            | 4   |         |       | IN       | 38.0       | 100.50 | 7.0    | 45°    | d    | 7   |         |     |
| 5-12552-046-4 |      |                 |     | EX      | 34.0  | 100.50   | 7.0        | 45°    | d      | 7      |      |     |         |     |
| 8-97102-123-1 |      | 3LD/LE          | 3   |         |       | IN       | 37.0       | 95.80  | 7.0    | 45°    | d    | 7   |         |     |
| 8-97084-894-0 |      |                 |     |         |       |          |            |        |        |        |      |     |         |     |
| 8-97045-410-3 |      |                 |     | EX      | 31.7  | 95.55    | 7.0        | 45°    | d      | 7      |      |     |         |     |
| 8-97137-154-0 |      | 4JX1            | 4   |         |       | IN       | 33.0       | 98.20  | 7.0    | 45°    | d    | 7-1 |         |     |
| 8-97137-154-1 |      |                 |     | EX      |       |          |            |        |        |        |      |     |         |     |
| 8-97137-155-1 |      |                 |     | EX      | 33.0  | 98.10    | 7.0        | 45°    | d      | 7-1    |      |     |         |     |
| 1-12551-145-2 |      | 6WA1TC<br>CXM50 | 6   |         |       | IN       | 43.0       | 187.70 | 10.0   | 60°    | d    | 7-1 |         |     |
| 1-12552-095-0 |      |                 |     | EX      | 41.0  | 187.80   | 10.0       | 45°    | d      | 7-1    |      |     |         |     |
| 1-12552-102-0 |      |                 |     |         |       |          | 42.0       | 187.80 | 10.0   | 45°    | d    | 7-1 |         |     |
| 1-12551-151-4 |      | 6WG1T           | 6   |         |       | IN       | 48.0       | 187.70 | 10.0   | 60°    | d    | 7-1 |         |     |
| 1-12551-162-0 |      |                 |     |         |       |          |            | 48.0   | 189.13 | 10.0   | 60°  | d   | 7-1     |     |
| 1-12552-109-0 |      |                 |     | EX      | 45.0  | 187.73   | 10.0       | 45°    | d      | 7-1    |      |     |         |     |
| 1-12552-098-0 |      |                 |     |         |       |          |            |        |        |        |      |     |         |     |
| 1-12552-089-0 |      |                 |     |         |       |          |            |        |        |        |      |     |         |     |
| 1-12551-162-4 |      | 6W1TC<br>CXM50  | 6   |         |       | IN       | 48.0       | 189.13 | 10.0   | 60°    | d    | 7   |         |     |
| 1-12552-100-3 |      |                 |     | EX      | 46.0  | 189.23   | 10.0       | 45°    | d      | 7      |      |     |         |     |
| 8-97388-643-1 |      | 6UZ1-TC         | 6   |         |       | IN       |            |        |        |        |      |     |         |     |
| 8-97388-644-0 |      |                 |     | EX      |       |          |            |        |        |        |      |     |         |     |

**MAZDA**

**ENGINE VALVE**

| O.E PART NO.  | YEAR           | ENGINE MODEL  | CYL | VEHICLE   |  | IN<br>EX | DIMENSIONS   |                |     |            |        |         | REMARKS |
|---|----------------|---|-----|---|--|----------|--------------|----------------|-----|------------|--------|---------|---------|
|   |                |   |     | NAME  | MODEL  |          | HD           | OL             | SD  | SA         | HS     | CG      |         |
| 0324-12-111A<br>E301-12-111<br>E501-12-111  | 80-            | <b>E3</b>   | 4   | FAMILIA1300 323<br>1300   | BD1031   | IN       | 36.0         | 105.5          | 8.1 | 45°        | c      | 7       |         |
| 0303-12-121A<br>0303-12-121B<br>0324-12-121<br>E301-12-121  | 80-            | <b>E5</b>   | 4   | FAMILIA1400 323<br>1400<br>FAMILIA1500 323<br>1500<br>808 1300 BONGO,<br>PROCEED  | BD1051,BE5<br>FA4, ST3, FA2, BA2,<br>FA3<br>BTA67. STB, STL  | EX       | 31.0         | 103.5          | 8.1 | 45°        | d      | 7       |         |
| E501-12-121<br>0488-12-121<br>8572-12-121<br>D303-12-121  | 70-78          | <b>TC</b>   | 4   | BONGO,<br>LASER1500   | FA5, SS48  |          |              |                |     |            |        |         |         |
| F601-12-111<br>F601-12-121<br>F604-12-121<br>F606-12-121  | 78-            | <b>UT</b><br><b>UC</b>  | 4   |   |  |          | 31.0         | 103.5          | 8.1 | 45°        | c      | 7       |         |
| F601-12-111   | 82             | <b>F6</b>   | 4   | CAPRLLA1600(626)  | GC6  | IN       | 41.0         | 111.8          | 8.1 | 45°        | c      | 7       |         |
| F601-12-121<br>F604-12-121<br>F606-12-121   |                |   |     | TELSTAR1600   |  | EX       | 34.0         | 111.8          | 8.1 | 45°        | c      | 7       |         |
| F801-12-111<br>F801-12-121<br>F804-12-121   | 82             | <b>F8</b>   | 4   | CAPELLA1800,<br>BONGO1800<br>CAPELLA2000,<br>LUCE2000<br>BONGO B2000 B2200<br>COSMO,<br>SPECTRON,   | GC8, SS88<br>GCE, HBE, SRE9  | IN<br>EX | 44.0<br>36.0 | 111.9<br>111.7 | 8.1 | 45°<br>45° | c<br>c | 7<br>7  |         |
| SE01-12-111<br>SE01-12-121<br>SE70-12-121   | 77             | <b>HA</b>   | 4   | TITAN3000, E3000,<br>T3000<br>PARK WAY  | TA3, WEW, WEF<br>WEY, WVL  | IN<br>EX | 45.0<br>37.5 | 114.5<br>114.7 | 9.0 | 45°<br>60° | c<br>c | 7<br>7  |         |
| 0290-12-111<br>0290-12-111A<br>0290-12-111B<br>0290-12-111C<br>0453-23-255<br>D27Z-6507A<br>0290-12-121<br>0305-12-121<br>8173-12-121<br>D27Z-6505A<br>0453-23-256<br>HE19-12-121 | 77<br>70<br>69 | <b>MA</b><br><b>NA</b><br><b>VB</b><br><b>VC</b><br><b>NA</b> | 4   | CAPELLA2000,<br>LUCE2000<br>929 2000, 626, 2000<br>T2000, B2000<br>CAPELLA1600 (808,<br>626, 616)<br>PROCEED,<br>BONGO1600<br>B1600, E1600<br>CAPELLA1800,<br>LUCE1800,COSMO<br>(929, 626, 618),<br>COURIER<br>PROCEED1800,<br>B1800, TITAN | CE3, HBP, LA4/7<br>HBS, CB2<br>BA2, BNA61,<br>PE2, SN3, SN4,<br>SNA<br>SVA, SVE, EVB,<br>EVH, CBZ<br>LA3, SUB, EUG<br>BA2, CB1, CB2,<br>CD2, EA2<br>LA2, SV2, SVC, SVD,<br>SVH,<br>SVK | IN<br>EX | 42.0<br>33.0 | 108.6<br>107.1 | 8.1 | 45°<br>45° | c<br>d | 7<br>7  |         |
| 0249-12-111A<br>0259-12-111<br>0249-12-121A<br>0259-12-121  | 67-79          | <b>PB</b>   | 4   | FAMILIA1000, C323<br>BONGO1000(E1000)   | SPA, FPA, FAA,<br>BPA, BPB   | IN<br>EX | 32.0<br>27.5 | 108<br>98.5    | 7.0 | 45°<br>45° | d<br>d | 37<br>7 |         |
| 0317-12-111A<br>0317-12-121A<br>0317-12-121B<br>0483-12-121   | 70-77          | <b>PC</b>   | 4   | FAMILIA<br>PRESTO1000(323)  | SPC, FA3   | IN<br>EX | 35.0<br>30.0 | 106.0<br>103.0 | 8.1 | 45°<br>45° | c<br>d | 7<br>7  |         |
| RF01-12-111<br>RF01-12-121<br>RF01-12-121B  | 83-<br>83-     | <b>R2</b><br><b>RF</b>  | 4   | BONGO2200, E2200<br>CAPELLA2000,<br>BONGO2000<br>SPECTRON   | SPZA<br>GCF, SSF8,SRE9   | IN<br>EX | 41.0<br>36.0 | 107.0<br>106.8 | 8.0 | 45°<br>45° | c<br>c | 7<br>7  |         |

**MAZDA**

**ENGINE VALVE**

| O.E PART NO. | YEAR           | ENGINE MODEL                                      | CYL    | VEHICLE                                    |   | IN EX | DIMENSIONS |        |     |     |    |    | REMARKS |  |  |  |  |
|--------------|----------------|---|--------|--|---|-------|------------|--------|-----|-----|----|----|---------|--|--|--|--|
|              |                |   |        | NAME                                       | MODEL   |       | HD         | OL     | SD  | SA  | HS | CG |         |  |  |  |  |
| 0636-12-111  | 79             | <b>S2</b>   | 4      | LUCE2200,<br>BONG02200                     | LA4, HBP, BA2   | IN    | 40.5       | 114.5  | 8.0 | 45° | d  | 7  |         |  |  |  |  |
| 0636-12-121  | 67             | <b>XA</b>   | 4      | E2200, B2200,<br>PARKWAY                   | AEV, AEX, EXA12,<br>32, 35  | EX    | 35.0       | 114.5  | 8.0 | 45° | d  | 7  |         |  |  |  |  |
|              | 72             | <b>ZB</b>   | 6      | BOXER2500, E2500,<br>TITAN2500, T2500      | EXA12, 42, 43,<br>EXC12, 13<br>EXR15, EYA14,<br>TA13, WE5A<br>WEWO51                          |       | 36.0       | 114.5  | 8.0 | 60° |    |    |         |  |  |  |  |
| 0527-12-121  | 81-<br>78-     | <b>BA</b><br><b>XB</b><br><b>HA</b><br><b>S-2</b> | 4      | TITAN4100, T4100<br>E2700                  | EXA45, EYA44,<br>EYA44, 74,<br>EZA14, 45, 75,<br>EZB14, 45, 74,<br>WE11, 17<br>WEX11, WEY011, | EX    | 36.0       | 114.5  | 8.0 | 60° | d  | 7  |         |  |  |  |  |
| 1304-12-111  | 76-80          | <b>XC</b>   | 4      | TITAN3700<br>BOXER3700                     | TA2<br>EYA14/44/74, D701  | IN    | 44.2       | 122.8  | 9.5 | 45° | d  | 7  |         |  |  |  |  |
| 1304-12-121  | 69-74<br>75-80 | <b>YA</b><br><b>ZC</b>                            | 6<br>6 | BOXER5500                                  | EZC74/75, EZD75<br>EZC14, 24, 25, 54  | EX    | 37.4       | 122.7  | 9.5 | 45° | d  | 7  |         |  |  |  |  |
| 0268-12-111  | 68-74          | <b>TA</b>   | 4      | FAMILIA1200(323)                           | BTA55 / 65, STA   | IN    | 34.0       | 107.9  | 7.0 | 45° | c  | 7  |         |  |  |  |  |
| 0268-12-121  | 68-74          |   |        |  |   | EX    | 29.0       | 98.7   | 7.0 | 45° | d  | 7  |         |  |  |  |  |
| 0107-12-111  | 60-71          | <b>UA</b>   | 4      | PROCEED1500,<br>CRAFT1500                  | BUG61, DUC9   | IN    | 37.5       | 114.4  | 9.0 | 60° | d  | 7  |         |  |  |  |  |
| 0107-12-121  |                |   |        |  |   | EX    | 30.0       | 115.0  | 9.0 | 45° | d  | 7  |         |  |  |  |  |
| 0552-12-111  | 71-79          | <b>VA</b>   | 4      | TITAN2000, T2000<br>PARKWAY, E2000         | TVA8 / 10 / 32, CVH<br>EVG, EVB, EVB43,<br>EVK15, AEV   | IN    | 39.5       | 112.5  | 8.1 | 45° | c  | 7  |         |  |  |  |  |
| 0552-12-121  |                |   |        |  |   | EX    | 30.0       | 112.5  | 8.1 | 45° | d  | 7  |         |  |  |  |  |
| B630-12-111  | 86-87          | <b>B5</b>   | 4      | CAPELLA<br>ETUDE                           |   | IN    | 38.0       | 103.8  | 7.0 | 45° | c  | 7  |         |  |  |  |  |
| B630-12-121  | 89-            | <b>B6</b>   | 4      | FAMILIA(323)                               |   | EX    | 32.0       | 102.8  | 7.0 | 45° | c  | 7  |         |  |  |  |  |
| SL01-12-111  | 89-            | <b>HA</b><br><b>HA35</b>                          | 4      | TITAN                                      | T3500   | IN    | 45.5       | 114.6  | 9.0 | 45° | c  | 7  |         |  |  |  |  |
| SL01-12-121  |                |   |        |  |   | EX    | 38.3       | 114.5  | 9.0 | 60° | c  | 7  |         |  |  |  |  |
| SL70-12-121  |                |   |        |  |   |       |            |        |     |     |    |    |         |  |  |  |  |
| SLA1-12-121  |                |   |        |  |   |       |            |        |     |     |    |    |         |  |  |  |  |
| E5D3-12-111  | 89-            | <b>E3</b>   | 4      | FAMILIA(323)                               |   | IN    | 36.0       | 108.5  | 8.1 | 45° | c  | 7  |         |  |  |  |  |
| E358-12-121  | 89-            | <b>E5</b>   | 4      | LASER                                      |   | EX    | 31.0       | 106.5  | 8.1 | 45° | c  | 7  |         |  |  |  |  |
| E5D3-12-121  |                |   |        |  |   |       |            |        |     |     |    |    |         |  |  |  |  |
| AM15-12-1110 |                | <b>AM</b>   | 4      | CAPELLA<br>FORD                            |   | IN    | 31.0       | 105.2  | 6.0 | 45° | c  | 7  |         |  |  |  |  |
| AM01-12-1210 |                |   |        |  |   | EX    | 26.2       | 105.4  | 6.0 | 45° | c  | 7  |         |  |  |  |  |
| AM15-12-111  |                | <b>AM</b>   | 4      |  |   | IN    | 46.0       | 108.00 | 8.0 | 45° |    |    |         |  |  |  |  |
| AM15-12-121  |                |   |        |  |   | EX    | 38.0       | 106.00 | 8.0 | 45° |    |    |         |  |  |  |  |
| E8BZ-6507A   |                |   |        |  |   | IN    | 32.0       | 105.3  | 7.0 | 45° | c  | 7  |         |  |  |  |  |
| E8BZ-6505A   |                |   |        |  |   | EX    | 28.0       | 102.8  | 7.0 | 45° | d  | 7  |         |  |  |  |  |
| F201-12-111  |                | <b>F2</b>   | 4      | FORD<br>PROBE<br>CAPELLA(626)<br>LUCE(929) |   | IN    | 32.5       | 115.8  | 7.0 | 45° | c  | 7  |         |  |  |  |  |
| F202-12-111  |                |   |        |  |   | EX    | 34.0       | 116.2  | 7.0 | 45° | c  | 7  |         |  |  |  |  |
| F201-12-121A |                |   |        |  |   |       |            |        |     |     |    |    |         |  |  |  |  |
| F210-12-121B |                |   |        |  |   |       |            |        |     |     |    |    |         |  |  |  |  |
| B695-12-111  | 89-<br>89-     | <b>B5</b><br><b>B6</b>                            | 4<br>4 | FAMILIA(323)<br>LASER W/BURBO              |   | IN    | 31.0       | 105.2  | 6.0 | 45° | c  | 7  |         |  |  |  |  |
| B6S7-12-111  |                |   |        | FORD                                       |   | EX    | 26.2       | 105.4  | 6.0 | 45° | c  | 7  |         |  |  |  |  |
| B695-12-121B |                |   |        |  |   |       |            |        |     |     |    |    |         |  |  |  |  |
| B690-12-121B |                |   |        |  |   |       |            |        |     |     |    |    |         |  |  |  |  |
| B690-12-121C |                |   |        |  |   |       |            |        |     |     |    |    |         |  |  |  |  |

## MAZDA

## ENGINE VALVE

| O.E PART NO.   | YEAR | ENGINE MODEL                               | CYL | VEHICLE                   |           | IN<br>EX   | DIMENSIONS |        |     |     |    |    | REMARKS |  |  |  |
|----------------|------|--|-----|---------------------------|-----------|------------|------------|--------|-----|-----|----|----|---------|--|--|--|
|                |      |  |     | NAME                      | MODEL     |            | HD         | OL     | SD  | SA  | HS | CG |         |  |  |  |
| E7GZ-6507A     |      |  |     |                           |           | IN         | 38.0       | 103.7  | 7.0 | 45° | c  | 7  |         |  |  |  |
| E7GZ-6505A     |      |  |     |                           |           | EX         | 32.0       | 102.6  | 7.0 | 45° | c  | 7  |         |  |  |  |
| JE01-12-111    | 90-  | JE   | 6   | LUCE                      |           | IN         | 33.0       | 121.3  | 7.0 | 45° | c  | 7  |         |  |  |  |
| JE06-12-111    |      |  |     |                           |           |            |            |        |     |     |    |    |         |  |  |  |
| JE06-12-121A   |      |  |     |                           |           | EX         | 38.0       | 122.7  | 8.0 | 45° | c  | 7  |         |  |  |  |
| JE01-12-121    |      |  |     |                           |           |            |            |        |     |     |    |    |         |  |  |  |
| 2783-12-111    |      |  |     |                           |           | IN         | 32.0       | 108.0  | 7.0 | 45° | c  | 7  |         |  |  |  |
| 2783-12-121    |      |  |     |                           |           | EX         | 27.5       | 98.5   | 7.0 | 45° | d  | 7  |         |  |  |  |
| B541-12-111    | 89-  | B6   | 4   | FAMILIA(323)              | MX3       | IN         | 29.5       | 104.0  | 6.0 | 45° | c  | 7  |         |  |  |  |
| B541-12-121    |      |  |     | EX                        |           | 23.5       | 105.0      | 6.0    | 45° | c   | 7  |    |         |  |  |  |
| B62A-12-121    |      |  |     |                           |           |            |            |        |     |     |    |    |         |  |  |  |
| BP01-12-111    | 89-  | 金全壘打16V<br>CT1.8                           | 4   | CAPELLA/TELSTER(<br>SOHC) |           | IN         | 30.0       | 101.8  | 6.0 | 45° | c  | 7  |         |  |  |  |
| BP01-12-121    |      |  |     |                           |           | EX         | 25.0       | 103    | 6.0 | 45° | c  | 7  |         |  |  |  |
| BP05-12-111    | 89-  | BP 1.8                                     | 4   | PROTEGE(DOHC)             |           | IN         | 33.0       | 101.34 | 6.0 | 45° | c  | 7  |         |  |  |  |
| BP05-12-121A   |      |  |     | EX                        |           | FAMILIA    |            |        |     |     |    |    |         |  |  |  |
| B301-12-121    |      |  |     |                           |           | FORD LASER | 28.0       | 101.60 | 6.0 | 45° | c  | 7  |         |  |  |  |
| G601-12-111    | 89-  | G6   | 4   |                           | MPV/B2600 | IN         | 33.3       | 112.5  | 7.0 | 45° | c  | 7  |         |  |  |  |
| G601-12-121    |      |  |     |                           |           | EX         | 36.0       | 113.9  | 7.0 | 45° | c  | 7  |         |  |  |  |
| G602-12-121    |      |  |     |                           |           |            |            |        |     |     |    |    |         |  |  |  |
| E6DZ-6507A     |      |  |     | FORD                      |           | IN         | 42.2       | 117.2  | 8.0 | 45° | c  | 11 |         |  |  |  |
| E6DZ-6505A     |      |  |     |                           |           | EX         | 34.8       | 117.2  | 8.0 | 45° | c  | 11 |         |  |  |  |
| E7FZ-6507A     |      |  |     | FORD                      |           | IN         | 39.0       | 136.7  | 8.1 | 45° | c  | 11 |         |  |  |  |
| E7FZ-6505D     |      |  |     |                           |           | EX         | 34.0       | 133.9  | 8.0 | 45° | d  | 11 |         |  |  |  |
| FOCZ-6507A     |      |  |     | FORD                      |           | IN         | 33.0       | 102.0  | 6.0 | 45° | c  | 7  |         |  |  |  |
| FOCZ-6505A     |      |  |     |                           |           | EX         | 28.0       | 101.5  | 6.0 | 45° | c  | 7  |         |  |  |  |
| F3CZ-6505A     |      |  |     |                           |           |            |            |        |     |     |    |    |         |  |  |  |
| E92Z-6505A     |      |  |     | FORD                      |           | IN         |            |        |     |     |    |    |         |  |  |  |
|                |      |  |     |                           |           | EX         | 34.0       | 116.3  | 7.0 | 45° | c  | 7  |         |  |  |  |
| FS01-12-111B   |      | FS1.8/FS2.0                                |     |                           |           | IN         | 31.5       | 90.0   | 6.0 | 45° | c  | 7  |         |  |  |  |
| FS01-12-121B   |      |  |     |                           |           | EX         | 27.5       | 90.0   | 6.0 | 45° | c  | 7  |         |  |  |  |
| FS05-12-121A   |      |  |     |                           |           |            |            |        |     |     |    |    |         |  |  |  |
| 0222-12-111    | 1500 | UB<br>UC                                   | 4   | FAMILIA(323)              |           | IN         |            |        |     |     |    |    |         |  |  |  |
| 0222-12-121    |      |  |     |                           |           | EX         |            |        |     |     |    |    |         |  |  |  |
| PN11-12-111    |      | PN   |     |                           |           | IN         | 36.0       | 101.5  | 7.0 | 45° | c  | 7  |         |  |  |  |
| PN11-12-121    |      |  |     |                           |           | EX         | 32.0       | 101.5  | 7.0 | 45° | c  | 7  |         |  |  |  |
| PN20-12-121    |      |  |     |                           |           |            |            |        |     |     |    |    |         |  |  |  |
| ZZM3-12-111    |      |  |     |                           |           | IN         | 44.0       | 121.0  | 7.0 | 45° | c  | 11 |         |  |  |  |
| ZZM3-12-121    |      |  |     |                           |           | EX         | 38.0       | 122.0  | 7.0 | 45° | c  | 11 |         |  |  |  |
| Z501-12-111    |      | Z5   |     |                           |           | IN         | 27.6       | 92.3   | 5.5 | 45° | c  | 7  |         |  |  |  |
| E502-12-111    |      |  |     |                           |           |            |            |        |     |     |    |    |         |  |  |  |
| Z501-12-121    |      |  |     |                           |           | EX         | 24.0       | 92.7   | 5.5 | 45° | c  | 7  |         |  |  |  |
| E502-12-121    |      |  |     |                           |           |            |            |        |     |     |    |    |         |  |  |  |
| JE26-12-111    |      | JE48/74/75                                 |     |                           |           | IN         | 34.7       | 115.2  | 6.0 | 45° | c  | 7  |         |  |  |  |
| JE26-12-121    |      |  |     |                           |           | EX         | 31.0       | 120.7  | 6.0 | 45° | c  | 7  |         |  |  |  |
| KL01-12-111A/B |      | KF/KL 24V                                  |     |                           |           | IN         | 32.0       | 94.2   | 6.0 | 45° | c  | 7  |         |  |  |  |
| KL01-12-121A   |      |  |     |                           |           | EX         | 27.5       | 95.0   | 6.0 | 45° | c  | 7  |         |  |  |  |
| KF01-12-111A   |      | K8   |     |                           |           | IN         | 28.5       | 94.2   | 6.0 | 45° | c  | 7  |         |  |  |  |
| K801-12-121    |      |  |     |                           |           | EX         | 23.1       | 95.2   | 6.0 | 45° | c  | 7  |         |  |  |  |
| B3C7-12-111A   |      | BA/B3C7/B<br>3D2(16V)<br>/CT1.3<br>(92年長期) |     |                           |           | IN         | 25.5       | 108.3  | 6.0 | 45° | c  | 7  |         |  |  |  |
| B3D2-12-121A   |      |  |     |                           |           | EX         | 21.5       | 109.4  | 6.0 | 45° | c  | 7  |         |  |  |  |
| ZZL0-12-111    |      |  |     |                           |           | IN         | 43.5       | 104.0  | 8.1 | 45° | c  | 3  |         |  |  |  |
| ZZL0-12-121    |      |  |     |                           |           | EX         | 34.5       | 104.0  | 8.1 | 45° | c  | 11 |         |  |  |  |

## MAZDA

## ENGINE VALVE

| O.E PART NO. | YEAR | ENGINE MODEL         | CYL | VEHICLE                               |       | IN<br>EX | DIMENSIONS |        |       |     |    |    | REMARKS |  |  |  |
|--------------|------|----------------------|-----|---------------------------------------|-------|----------|------------|--------|-------|-----|----|----|---------|--|--|--|
|              |      |                      |     | NAME                                  | MODEL |          | HD         | OL     | SD    | SA  | HS | CG |         |  |  |  |
| ZZM0-12-111  |      |                      |     |                                       |       | IN       | 44.0       | 121.7  | 8.7   | 45° | c  | 33 |         |  |  |  |
| ZZM0-12-121  |      |                      |     |                                       |       | EX       | 38.0       | 112.1  | 8.7   | 45° | c  | 23 |         |  |  |  |
| ZZM1-12-111  |      |                      |     |                                       |       | IN       | 42.2       | 117.2  | 8.0   | 45° | c  | 11 |         |  |  |  |
| ZZM1-12-121  |      |                      |     |                                       |       | EX       | 34.8       | 117.2  | 8.0   | 45° | c  | 11 |         |  |  |  |
| B660-12-111  | 89-  | B1<br>B3             | 4   | FAMILIA(323)<br>LASER<br>FASTIVE(121) |       | IN       | 31.0       | 105.3  | 6.0   | 45° | c  | 7  |         |  |  |  |
| B660-12-121  |      |                      |     |                                       |       | EX       | 26.1       | 105.4  | 6.0   | 45° | c  | 7  |         |  |  |  |
| S501-12-111  | 89-  | XA                   | 4   | T2500                                 |       | IN       | 40.5       | 114.6  | 9.0   | 45° | d  | 7  |         |  |  |  |
| S501-12-121  |      |                      |     |                                       |       | EX       | 36.0       | 114.6  | 9.0   | 60° | c  | 7  |         |  |  |  |
| S535-12-121  |      |                      |     |                                       |       |          | 36.0       | 114.6  | 9.0   | 60° | d  | 7  |         |  |  |  |
| KJ01-12-111  |      | MS2.3L N6<br>95"~98" |     |                                       |       | IN       | 28.5       | 108.1  | 6.0   | 45° | c  | 7  |         |  |  |  |
| KJ01-12-121A |      |                      |     |                                       |       | EX       | 24.2       | 108.1  | 6.0   | 45° | c  | 7  |         |  |  |  |
| WL01-12-111  | 96-  | WL                   | 4   | E2500,B2500                           |       | IN       | 32.7       | 111.8  | 7.0   | 45° | d  | 7  |         |  |  |  |
| WL51-12-111  |      |                      |     |                                       |       |          |            |        |       |     |    |    |         |  |  |  |
| WL01-12-121  |      |                      |     |                                       |       | EX       | 35.6       | 111.8  | 7.0   | 45° | d  | 7  |         |  |  |  |
| WL51-12-121  |      |                      |     |                                       |       |          |            |        |       |     |    |    |         |  |  |  |
| B301-12-111  | 90-  | B3                   | 4   | 323,LASER                             |       | IN       | 32.7       | 111.8  | 7.0   | 45° | c  | 7  |         |  |  |  |
| B301-12-121  |      |                      |     |                                       |       | EX       | 28.0       | 104.3  | 7.0   | 45° | c  | 7  |         |  |  |  |
| B308-12-111  |      | B3                   | 4   |                                       |       | IN       | 33.0       | 105.40 | 7.0   | 45° |    |    |         |  |  |  |
| B313-12-121  |      |                      |     |                                       |       | EX       | 28.0       | 104.20 | 7.0   | 45° |    |    |         |  |  |  |
| TF20-12-111  | 89-  | TF                   | 4   | T4000                                 |       | IN       | 47.0       | 119.8  | 9.0   | 45° | c  | 7  |         |  |  |  |
| TF20-12-121  |      |                      |     | E4000                                 |       | EX       | 41.0       | 119.2  | 9.0   | 60° | c  | 7  |         |  |  |  |
| B366-12-111  |      | 金全疊打16V<br>CT1.3     | 4   |                                       |       | IN       | 25.5       | 103.9  | 6.0   | 45° | c  | 7  |         |  |  |  |
| B366-12-121  |      |                      |     |                                       |       | EX       | 21.5       | 105.0  | 6.0   | 45° |    |    |         |  |  |  |
| B384-12-121  |      |                      |     |                                       |       |          | 21.5       | 105.0  | 6.0   | 45° | c  | 7  |         |  |  |  |
| ZL01-12-111  |      | TIERRA 1.6           | 4   |                                       |       | IN       | 29.1       | 91.0   | 6.0   | 45° | c  | 7  |         |  |  |  |
| ZL01-12-121  |      |                      |     |                                       |       | EX       | 25.9       | 90.5   | 6.0   | 45° | c  | 7  |         |  |  |  |
| WE01-12-111  |      | WL-BT50              | 4   |                                       |       | IN       | 31.0       | 112    | 6.0   | 45° | c  | 7  |         |  |  |  |
| WE01-12-121  |      |                      |     |                                       |       | EX       | 28.0       | 111.9  | 6.0   | 45° | c  | 7  |         |  |  |  |
| ZY01-12-111B |      | ZY                   | 4   |                                       |       | IN       | 29.25      | 97.25  | 5.5   | 45° | d  | 7  |         |  |  |  |
| ZY01-12-121B |      |                      |     |                                       |       | EX       | 26.0       | 96.7   | 5.5   | 45° | d  | 7  |         |  |  |  |
| ZL02-12-111  |      |                      | 4   |                                       |       | IN       | 29.2       | 91     | 6.0   | 60° | d  | 7  |         |  |  |  |
| ZL02-12-121  |      |                      |     |                                       |       | EX       | 26.0       | 90.5   | 6.0   | 45° | d  | 7  |         |  |  |  |
| U202-12-111A |      |                      | 4   |                                       |       | IN       | 30.0       | 122    | 7.0   | 45° | c  | 11 |         |  |  |  |
| U202-12-121A |      |                      |     |                                       |       | EX       | 25.8       | 121.8  | 7.0   | 45° | c  | 11 |         |  |  |  |
| 1S4G6507BB   |      |                      | 4   |                                       |       | IN       | 28.0       | 99.4   | 6.0   | 45° | c  | 11 |         |  |  |  |
| 1S6G6505BA   |      |                      |     |                                       |       | EX       | 24.0       | 101.5  | 6.0   | 45° | c  | 11 |         |  |  |  |
| 1S7G6507D7F  |      |                      | 4   |                                       |       | IN       | 32.5       | 5.5    | 103.4 | 45° | c  | 7  |         |  |  |  |
| 1S7G6505D7F  |      |                      |     |                                       |       | EX       | 28         | 5.5    | 104.7 | 45° | c  | 7  |         |  |  |  |
| LF01-12-111  |      |                      | 4   |                                       |       | IN       | 35.0       | 103.5  | 4.5   | 45° | d  | 7  |         |  |  |  |
| LF02-12-121F |      |                      |     |                                       |       | EX       | 30         | 104.8  | 5.5   | 45° | d  | 7  |         |  |  |  |
|              |      | TD95                 | 4   |                                       |       | IN       |            |        |       |     |    |    |         |  |  |  |
|              |      |                      |     |                                       |       | EX       |            |        |       |     |    |    |         |  |  |  |

**mitsubishi**

**ENGINE VALVE**

| O.E PART NO.   | YEAR                               | ENGINE MODEL  | CYL                 | VEHICLE                   |   | IN<br>EX             | DIMENSIONS               |                            |                        |                        |                    |                    | REMARKS |
|--|------------------------------------|---|---------------------|---------------------------|---|----------------------|--------------------------|----------------------------|------------------------|------------------------|--------------------|--------------------|---------|
|  |                                    |   |                     | NAME                      | MODEL                                   |                      | HD                       | OL                         | SD                     | SA                     | HS                 | CG                 |         |
| ME011244<br>ME011265<br>ME013810<br>ME029006<br>ME029295   | 78-<br><br><br><br>79-<br>78-      | <b>4D30</b><br><br><br><br><b>4D31</b><br><b>6D31T</b>                      | 4                   | CANTER, ROSA              | FE, BE, BH                              | IN                   | 44.0                     | 137.2                      | 9.0                    | 45°                    | c                  | 3                  |         |
| ME011245<br>ME013832<br>ME013834<br>ME011266   |                                    |   |                     | TRUCK, BUS                | ~B,MR. FK                               | EX                   | 37.0                     | 137.2                      | 9.0                    | 45°                    | c                  | 3                  |         |
| ME029007<br>ME023882<br>ME024011   | 73-<br>72-                         | <b>6DS7</b>   | 6                   |                           |   |                      |                          |                            |                        |                        |                    |                    |         |
| ME011265<br>ME013810<br>ME011266   |                                    | <b>4D30A</b><br><b>4D32</b><br><b>4D31A</b>                                 | 4                   | CANTER                    | FE100, 101, 111, 120,<br>4D53 / 54 / 55 | IN<br><br>EX         | 44.0<br><br>37.0         | 137.0<br><br>137.0         | 9.0<br><br>9.0         | 45°<br><br>45°         | d<br><br>d         | 3<br><br>3         |         |
| MD050552<br>MD050100<br>MD050543<br>MD050101   | 80-80<br><br>80-                   | <b>4D55</b>   | 4                   | GALANT2300,<br>DELICA2300 | A167                                    | IN                   | 40.0                     | 136.5                      | 8.0                    | 45°                    | d                  | 3                  |         |
|  |                                    |   |                     | PAJERO, RAM50,<br>MONTERO | L028/038/043/048/06<br>8                |                      |                          |                            |                        |                        |                    |                    |         |
|  |                                    |   |                     | L200/300, CANTER          | FB433                                   | EX                   | 34.0                     | 136.5                      | 8.0                    | 45°                    | d                  | 3                  |         |
| MD083661<br>MD083657<br>MD083662<br>MD083659   |                                    | <b>4D55</b>   | 4                   |                           |   | IN<br><br>EX         | 40.0<br><br>34.0         | 136.5<br><br>136.5         | 8.0<br><br>8.0         | 45°<br><br>45°         |                    |                    |         |
| MD198403<br>MD198404<br>MD373236<br>MD321272<br>22211-42520  |                                    | <b>4D56</b>   | 4                   |                           |   | IN                   | 40.0                     | 130.15                     | 8.0                    | 45°                    | d                  | 19                 |         |
| MD198405<br>MD198406<br>MD373237<br>22212-42520  |                                    | <b>4D56T</b>  |                     |                           |   | EX                   | 34                       | 129.85                     | 8.0                    | 45°                    | d                  | 19                 |         |
| MD321271<br>MD321273   |                                    | <b>4D55-</b>  |                     |                           |   | IN<br>EX             | 40<br>34                 | 130.2<br>129.8             | 8.0<br>8.0             | 45°<br>45°             |                    |                    |         |
| MN176597<br>MN176598   |                                    | <b>4D56</b>   | 4                   |                           |   | IN<br>EX             | 31.5<br>27.5             | 107.6<br>108.0             | 6.0<br>6.0             | 45<br>45               | d<br>d             | 7<br>7             |         |
| ME031297<br>ME031014<br>ME013863<br>ME031938<br>ME031154<br>ME300285<br>ME031015<br>ME013833<br>ME031940 | 74-80<br><br>74-<br><br>74-<br>75- | <b>6D10</b><br><br><br><b>6D11</b><br><b>6D14(T)</b><br><br><br><b>4D33</b> | 6<br><br><br>6<br>6 | TRUCK, BUS                | FK, FM, T, BK, MK,<br>MM<br>FD          | IN<br><br><br><br>EX | 47.0<br><br><br><br>40.0 | 137.0<br><br><br><br>137.0 | 9.0<br><br><br><br>9.0 | 45°<br><br><br><br>45° | d<br><br><br><br>d | 3<br><br><br><br>3 |         |
| ME031937<br>ME031557<br>ME031939<br>ME220218<br>ME031558   | 79-                                | <b>6D15/16</b><br><b>4D/6D33</b>  | 6                   | TRUCK, BUS                | FK, FM, MK, MM                          | IN<br><br>EX         | 49.0<br><br>42.0         | 137.0<br><br>137.0         | 9.0<br><br>9.0         | 45°<br><br>45°         | c<br><br>c         | 3<br><br>3         |         |





**mitsubishi**

**ENGINE VALVE**

| O.E PART NO.   | YEAR              | ENGINE MODEL   | CYL      | VEHICLE                             |                          | IN<br>EX    | DIMENSIONS |       |      |     |    |    | REMARKS |
|--|-------------------|--|----------|-------------------------------------|--------------------------|-------------|------------|-------|------|-----|----|----|---------|
|  |                   |  |          | NAME                                | MODEL                    |             | HD         | OL    | SD   | SA  | HS | CG |         |
| ME061545   | 76-80             | <b>8DC7</b>  | V8       | TRUCK, BUS                          | FS,FT, FU,FV, T, NV      | IN          | 59.0       | 174.7 | 12.0 | 45° | c  | 3  |         |
| ME091558<br>31204-30200<br>31101-00401   | 76-<br>73-        | <b>8DC8</b>  | 8<br>V8  |                                     | B.MS                     |             |            |       |      |     |    |    |         |
| ME061547<br>ME061546<br>ME062885<br>31101-00501<br>ME065581<br>ME065587<br>ME091559<br>ME090389<br>ME090551<br>31204-31200 | 76-<br>79-        |  | V10<br>8 |                                     |                          | <b>10BC</b> | 10         |       |      |     |    |    |         |
| ME001142   | 70-               | <b>4DR</b>   | 4        | JEEP, ROSA,<br>CANTER, FORK         | J, Bi BH, T,<br>FD,FB,FE | IN          | 41.0       | 124.0 | 8.0  | 45° | c  | 2  |         |
| ME001114/5<br>ME001105<br>ME001663<br>31604-03100<br>31304-00100<br>31304-00102  | 73-<br>62-<br>63- | <b>4DR5</b>  | 4<br>4   | TRUCK<br>JUPITER, ROSA              |                          |             |            |       |      |     |    |    |         |
| ME001143<br>MD001538<br>ME001116<br>31304-00101<br>31304-01101<br>31304-01103  | 70-<br>68-        | <b>6DR5</b>  | 6<br>4   |                                     |                          |             |            |       |      |     |    |    |         |
| ME020236   | 65-               | <b>6DS1</b>  | 6        | TRUCK                               | T620/630/650/663         | IN          | 46.0       | 137.0 | 9.0  | 45° | d  | 3  |         |
| ME024010<br>ME024205<br>ME023881<br>39804-00100<br>30804-00100   | 61-<br>69-        | <b>6DS5</b>  | 6        | BUS                                 |                          |             |            |       |      |     |    |    |         |
| ME013832<br>ME013834<br>ME021039<br>ME023882<br>ME023643<br>30804-01101<br>30804-01100                                     | 65-<br>73-<br>72- | <b>6DS3</b><br><b>6DS7</b><br><b>4D30= 32</b><br><b>4D34T1</b> | 6<br>6   |                                     |                          |             |            |       |      |     |    |    |         |
| MD016460   | 77-               | <b>G11</b>   | 4        | LANCER, F 1 ORE<br>,MIRAGE 1200     | A141/148/151/155/17      | IN          | 34.0       | 102.1 | 6.6  | 45° | c  | 7  |         |
| MD003787<br>22211-21000<br>22211-21010   | 78-               | <b>G12</b>   |          | LANCER,CELESTE,F<br>10RE            | A142/149/152/156/17<br>2 |             |            |       |      |     |    |    |         |
| MD016461   | 83-               | <b>G13</b>   | 4        | LANCER,<br>FIORÉ,MIRAGE1300         | C11                      | EX          | 30.0       | 100.9 | 6.6  | 45° | c  | 7  |         |
| MD003788<br>22212-21304<br>22212-21000   | 83-               | <b>G15</b>   |          | LANCER,<br>FIORÉ,MIRAGE1500<br>COLT | C12                      |             |            |       |      |     |    |    |         |

**MITSUBISHI**

**ENGINE VALVE**

| O.E PART NO.                     | YEAR  | ENGINE MODEL               | CYL         | VEHICLE                               |                                  | IN EX                                 | DIMENSIONS                   |                             |                                   |     |     |    | REMARKS |   |
|----------------------------------|-------|----------------------------|-------------|---------------------------------------|----------------------------------|---------------------------------------|------------------------------|-----------------------------|-----------------------------------|-----|-----|----|---------|---|
|                                  |       |                            |             | NAME                                  | MODEL                            |                                       | HD                           | OL                          | SD                                | SA  | HS  | CG |         |   |
| MD000480                         | 75-   | <b>4G32/ 11</b>            | 4           | GALANT,<br>LANCER,CELESTE             | A53-212,L021-036                 | IN                                    | 38.0                         | 106.0                       | 8.0                               | 45° | c   | 3  |         |   |
| MD002480                         | 77-78 | <b>4G33/ 30</b>            |             | CORDIA,TREDIA,MIR<br>AGE 1600         |                                  |                                       |                              |                             |                                   |     |     |    |         |   |
| MD064871                         |       |                            |             | ARROW                                 |                                  |                                       |                              |                             |                                   |     |     |    |         |   |
| K491565                          |       |                            |             | GALANT,<br>LANCER,CELESTE             | A54/62/72/143,L031/<br>036       |                                       |                              |                             |                                   |     |     |    |         |   |
| MD000481                         | 72-77 | <b>4G35</b>                | 4           | DELICAT1400,FORK,<br>COLT             | FG10/15                          | EX                                    | 31.0                         | 102.5                       | 8.0                               | 45° | d   | 3  |         |   |
| MD002481                         | 75-78 | <b>4G36</b>                |             | LANCER,GALANT17<br>00                 | A55                              |                                       |                              |                             |                                   |     |     |    |         |   |
| MD003788                         |       |                            |             | LANCER,JUPITER                        | A75.T22/25                       |                                       |                              |                             |                                   |     |     |    |         |   |
| MD007781                         |       |                            |             |                                       |                                  |                                       |                              |                             |                                   |     |     |    |         |   |
| MD007783<br>K491566              |       |                            |             |                                       |                                  |                                       |                              |                             |                                   |     |     |    |         |   |
| MD010480                         | 71-79 | <b>4G41</b>                | 4           | GALANT,<br>DELICAT1400(L300),         | A61, T120/121,<br>FG14/15        | IN                                    | 37.0                         | 100.5                       | 8.0                               | 45° | c   | 2  |         |   |
| MD010481<br>MD010482             | 73-77 | <b>4G42</b>                | 4           | FORK, LANCER1200                      | A71                              | EX                                    | 29.0                         | 100.5                       | 8.0                               | 45° | d   | 2  |         |   |
| MD020580                         | 73-78 | <b>4G51/ 50</b>            | 4           | GALANT1850                            | AI14 / 122 / 132                 | IN                                    | 43.0                         | 112.76                      | 8.0                               | 45° | c   | 3  |         |   |
| MD024523                         |       |                            |             |                                       | GALANT,<br>NEWGALANT,<br>CELESTE |                                       | A57 / 115/123 / 133 /<br>146 | 43.0                        | 112.8                             | 8.0 | 45° | c  |         | 7 |
| MD040791                         |       |                            |             |                                       |                                  |                                       |                              |                             |                                   |     |     |    |         |   |
| MD020581                         |       | 73-                        | <b>4G52</b> | 4                                     | FORTE2000, JEEP,<br>CANTER       | J46 / 58 / 59, T206 /<br>216,<br>L022 | EX                           | 35.0                        | 111.6                             | 8.0 | 45° | c  |         | 3 |
| MD020583                         |       |                            |             |                                       |                                  |                                       |                              |                             |                                   |     |     |    |         |   |
| MD020586<br>MD020587<br>MD020588 |       |                            |             |                                       |                                  |                                       |                              | JEEP, ROSA,<br>CANTER, FORK | J26 / 38 / 46 / 56,<br>B207 / 217 |     |     |    |         |   |
| MD040539                         | 75-80 | <b>4G53</b>                | 4           |                                       | T217, FG30                       |                                       |                              |                             |                                   |     |     |    |         |   |
| MD020589<br>MD024586             | 80-   | <b>4G62</b><br><b>4G63</b> |             |                                       |                                  |                                       |                              |                             |                                   |     |     |    |         |   |
| MD024518                         | 76-   | <b>4G54</b>                | 4           | DEBONAIR,<br>GALANT2600               | A32 / 33 / 135,                  | IN                                    | 46.0                         | 110.0                       | 8.0                               | 45° | c   | 3  |         |   |
| MD024638                         |       |                            |             | L200 / CANTER                         | J27 / 37 / 47 / 57               |                                       |                              |                             |                                   |     |     |    |         |   |
| MD024519                         |       |                            |             | A165A / K33T /<br>FOCUS               |                                  |                                       |                              |                             |                                   |     |     |    |         |   |
| MD024499                         |       |                            |             | JEEP, ARROW,<br>SAPPORO               | L023                             |                                       |                              |                             |                                   |     |     |    |         |   |
| MD024548<br>MD024639             |       |                            |             | PAJERO(MONTERO)<br>, RAMSO            |                                  | EX                                    | 38.0                         | 108.0                       | 8.0                               | 45° | d   | 3  |         |   |
| MD040791                         | 85-   | <b>4G62</b>                | 4           | GALAN, LANCER,<br>CORDIA              | A162/175/213, L035,<br>E13       | IN                                    | 43.0                         | 112.8                       | 8.0                               | 45° | c   | 7  |         |   |
| MD024523                         |       |                            |             | TREDIA, ETERNA,<br>DELICA1800         | D03                              |                                       | 43.0                         | 112.8                       | 8.0                               | 45° | c   | 3  |         |   |
| MD020586                         |       |                            | 4           | GARAN, ETERNA,<br>STARION             | A163/164/168/183,<br>E15A        |                                       | 35.0                         | 111.8                       | 8.0                               | 45° | c   | 3  |         |   |
| MD020583                         | 85-   | <b>4G63</b>                |             | PAJERO2000,<br>ARROW.<br>SPACER WAGON | L026 / 041 / 046                 | EX                                    |                              |                             |                                   |     |     |    |         |   |

**MITSUBISHI**

**ENGINE VALVE**

| O.E PART NO.                                     | YEAR         | ENGINE MODEL                  | CYL | VEHICLE  |  | IN EX | DIMENSIONS |        |       |     |     |    | REMARKS |
|--|--------------|-------------------------------|-----|--|--|-------|------------|--------|-------|-----|-----|----|---------|
|  |              |                               |     | NAME   | MODEL                                  |       | HD         | OL     | SD    | SA  | HS  | CG |         |
| 34404-10100                                      |              | <b>S4E</b>                    | 4   |  |  | IN    | 42.0       | 133.0  | 8.0   | 60° | d   | 2  |         |
| 34404-11100                                      |              |                               |     |  |  | EX    | 35.0       | 133.0  | 8.0   | 60° | d   | 2  |         |
| 33404-10100                                      |              | <b>12DE</b>                   |     |  |  | IN    | 65.0       | 219.0  | 13.0  | 60° | d   | 7  |         |
| 33404-11100                                      |              |                               |     |  |  | EX    | 60.0       | 219.0  | 13.0  | 45° | d   | 8  |         |
| 32004-20102<br>30100                             |              | <b>DH</b>                     |     |  |  | IN    | 58.0       | 199.0  | 13.0  | 45° | d   | 8  |         |
| 32004-24201<br>31100                             |              |                               |     |  |  | EX    | 50.0       | 199.0  | 13.0  | 45° | d   | 8  |         |
| MD074628<br>22211-24504<br>MD074629              | 89-90        | <b>2G25/<br/>4G15B</b>        | 4   | MIRAGE   |  | IN    | 35.0       | 101.6  | 6.6   | 45° | c   | 7  |         |
|  |              |                               |     |  |  | EX    | 31         | 100.9  | 6.6   | 45° |     |    |         |
|  |              |                               |     |  |  |       |            |        |       |     |     |    |         |
| MD009440<br>MD009441                             | 87-89<br>84- | <b>1600<br/>1800<br/>2000</b> | 4   | ALL(83-86) / CORDIA,<br>MONTERO,<br>TREDIA,ALL2600CC | JET VALVE<br>AUXILIARY USE             | JET   | 7.0        | 92.53  | 4.3   | 45° | a   | 7  |         |
| MD088380<br>MD088382                             | 87-89        |                               |     | CALANT / MIRAGE /<br>VAN /<br>PICK-UP(2000CC)        |  | JET   | 7.0        | 97.53  | 4.3   | 45° | a   | 7  |         |
| MD113238<br>MD113239                             | 87-          | <b>3G81<br/>3G82</b>          | 3   | MINICA   | HA14A, 15A, V<br>U14T V 15T V<br>U14TP | IN    | 30.0       | 100.6  | 6.6   | 45° | c   | 19 |         |
|  |              |                               |     | EX   | 26.0                                   | 100.8 | 6.6        | 45°    | c     | 19  |     |    |         |
| MD160893<br>MD163942                             | 87-          | <b>3G83-S4</b>                | 3   | BRAVO  | U41V, U42V<br>CM99                     | IN    | 25.0       | 100.3  | 5.0   | 45° | c   | 19 |         |
|  |              |                               |     | EX   | 21.0                                   | 105.8 | 5.0        | 45°    | c     | 19  |     |    |         |
| MD190101<br>MD138684                             | 90-          | <b>3G83-D5</b>                | 3   | MINICA   | HA22A                                  | IN    | 19.5       | 102.3  | 5.0   | 45° | c   | 19 |         |
|  |              |                               |     | EX   | 21.5                                   | 100.5 | 5.0        | 45°    | c     | 19  |     |    |         |
| MD191605<br>MD193165                             |              | <b>4A30-S4</b>                | 3   |  |  | IN    | 22.4       | 100.14 | 5.0   | 45° | c   | 19 |         |
|  |              |                               |     | EX   | 19.4                                   | 105.4 | 5.0        | 45°    | c     | 19  |     |    |         |
| MD191604<br>MD179171                             |              | <b>4A30-D5</b>                | 3   |  |  | IN    | 19.5       | 101.0  | 5.0   | 45° | c   | 19 |         |
|  |              |                               |     | EX   | 20.2                                   | 101.3 | 5.0        | 45°    | c     | 19  |     |    |         |
| MD160853<br>MD163542                             |              | <b>4A31</b>                   | 3   |  |  | IN    | 25.0       | 100.3  | 5.0   | 45° |     |    |         |
|  |              |                               |     | EX   | 20.8                                   | 105.7 | 5.0        | 45°    |       |     |     |    |         |
| MD128434<br>MD128435(AU)<br>MD139755<br>MD149314 | 91-          | <b>4G13<br/>4G15</b>          | 4   | PROTONSACA   | C21A, C51A                             | IN    | 26.0       | 100.80 | 6.6   | 45° | c   | 7  |         |
|  |              |                               | 4   | MIRAGE   |  |       | 31.0       | 100.90 | 6.6   | 45° | c   | 7  |         |
|  |              |                               | EX  |  |  |       | 33.0       | 101.0  | 6.6   | 45° | c   | 7  |         |
| MD128435(AU)<br>MD149314<br>MD139755             | 87-<br>88-   | <b>4G15-S3<br/>4G15/ 13</b>   | 4   | PROTONSAGA<br>MIRAGE                                 | C22A, C52A, C62A,<br>C72A              | IN    | 31.0       | 100.9  | 6.6   | 45° | c   | 7  |         |
|  |              |                               |     | EX   |  |       |            | 33.0   | 101.0 | 6.6 | 45° | c  | 7       |
| MD202944<br>MD202945                             |              | <b>4G15-S3<br/>-MVV</b>       | 4   | LANCER   |  | IN    | 27.0       | 100.8  | 6.6   | 45° | c   | 19 |         |
|  |              |                               |     | EX   |  |       |            | 32.0   | 101.0 | 6.6 | 45° | c  | 19      |
| MD342090<br>MD342091<br>MD361965                 |              | <b>4G13</b>                   | 4   |  |  | IN    | 27.0       | 111.5  | 5.5   | 45° |     |    |         |
|  |              |                               |     | EX   |  |       |            | 23.5   | 114.8 | 5.5 | 45° |    |         |
| MD339752<br>MD339754                             |              | <b>4G15(4V)<br/>4G18</b>      | 4   |  |  | IN    | 29.0       | 111.5  | 5.5   | 45° |     |    |         |
|  |              |                               |     | EX   |  |       |            | 25.4   | 114.8 | 5.5 | 45° |    |         |

**MITSUBISHI**

**ENGINE VALVE**

| O.E PART NO. | YEAR  | ENGINE MODEL        | CYL | VEHICLE                     |                         | IN<br>EX    | DIMENSIONS |       |     |     |    |    | REMARKS |                      |
|--------------|-------|---------------------|-----|-----------------------------|-------------------------|-------------|------------|-------|-----|-----|----|----|---------|----------------------|
|              |       |                     |     | NAME                        | MODEL                   |             | HD         | OL    | SD  | SA  | HS | CG |         |                      |
| MD075924     | 71-77 | <b>4G32</b>         | 4   | COLT, GALANT, Z, A53,       |                         | IN          | 38.0       | 103.5 | 8.0 | 45° | c  | 7  |         |                      |
| MD075925     | 88-   | <b>G32</b>          | 4   | A63, A73                    |                         |             |            |       |     |     |    |    |         |                      |
| MD075927     | 70-72 | <b>4G33/L300</b>    | 4   | SAPPORO, CELESTE A112,      | E31/32                  | EX          | 31.0       | 100.0 | 8.0 | 45° | d  | 7  |         |                      |
| MD075928     | 73-78 |                     |     | LANCER, MIRAGEA131, A144    |                         |             |            |       |     |     |    |    |         |                      |
|              | 70-86 |                     |     | GALANT                      |                         |             |            |       |     |     |    |    |         | A54, 62, 72, 75, 143 |
|              |       |                     |     | LANCER                      |                         |             |            |       |     |     |    |    |         | L031R 36P            |
|              |       |                     |     | DELICA                      | FI0, FG15               |             |            |       |     |     |    |    |         |                      |
| MD069806     | 87-   | <b>4G37</b>         | 4   | GALANT                      | E12 / 32A /A215         | IN          | 42.0       | 98.2  | 8.0 | 45° | c  | 7  |         |                      |
| MD088253     | 83-   | <b>G37B</b>         | 4   | ETERNA                      | C77 / D05V              |             |            |       |     |     |    |    |         |                      |
| MD080780     |       | <b>4G37-SOG</b>     | 4   | COLT                        | E-12                    | EX          | 34.0       | 95.4  | 8.0 | 45° | d  | 7  |         |                      |
| MD069807     |       |                     |     | SPACE WAGON                 |                         |             |            |       |     |     |    |    |         |                      |
| MD070791     |       |                     |     | TRAD1A / CORD1A             |                         |             |            |       |     |     |    |    |         |                      |
| MD083848     | 67-78 | <b>4G54</b>         | 4   | STARION, GALANT             | A32A                    | IN          | 46.0       | 108.0 | 8.0 | 45° | c  | 7  |         |                      |
| MD083849     | 83-   | <b>G54B</b>         | 4   | DEBONAIR                    | A33A                    |             |            |       |     |     |    |    |         |                      |
| MD083850     | 86-   |                     |     | CANTER                      | FC312,432               | EX          | 38.0       | 106.0 | 8.0 | 45° | d  | 7  |         |                      |
| MD092999     |       |                     |     | MONTERO                     | K33T / L042G / 47G      |             |            |       |     |     |    |    |         |                      |
| MD083851     |       |                     |     | L200 / 300                  |                         |             |            |       |     |     |    |    |         |                      |
| MD094619     |       |                     |     |                             |                         |             |            |       |     |     |    |    |         |                      |
| MD070691     | 80-83 | <b>4G62</b>         | 4   | GALANT, Z                   | A213A                   | IN          | 43.0       | 109.8 | 8.0 | 45° | c  | 7  |         |                      |
| MD070692     |       | <b>4G63T</b>        |     | SAPPORO, LANCER             | A163V                   |             |            |       |     |     |    |    |         |                      |
| MD083888     |       |                     |     | CORDIA                      | A163, 164               |             |            |       |     |     |    |    |         |                      |
| MD070693     |       |                     |     | ETERNA                      | A123V                   |             |            |       |     |     |    |    |         |                      |
| MD070694     | 78-81 |                     |     |                             |                         | EX          |            |       |     |     |    |    |         |                      |
| MD159502     | 87-   | <b>4G63-</b>        | 4   | ETERNA, EMERAUDE            | E33A, DOHC , 6F         | IN          | 33.0       | 112.5 | 6.0 | 45° | c  | 7  |         |                      |
| MD185569     |       | <b>MP1</b>          | 4   | GALANT                      | E39A, DOHC , 6RS FREECA | EX          | 29.0       | 114.2 | 6.0 | 45° | c  | 7  |         |                      |
| MD197097     |       |                     |     |                             |                         |             |            |       |     |     |    |    |         |                      |
| MD199193     | 82-   |                     |     |                             |                         | <b>4G63</b> |            |       |     |     |    |    |         |                      |
| MD303177     |       |                     |     |                             |                         |             |            |       |     |     |    |    |         |                      |
| MD197106     |       |                     |     |                             |                         |             |            |       |     |     |    |    |         |                      |
| MD127840     | 88-   | <b>4G63-TC(16V)</b> | 4   | GALANT CANTER / COLT SONATA | E39A, DOHC              | IN          | 34.0       | 109.7 | 6.6 | 45° | c  | 7  |         |                      |
| MD127847     |       | <b>4G61</b>         | 4   |                             | E38A                    |             |            |       |     |     |    |    |         |                      |
| 22211-33000  | 88-   |                     |     |                             |                         |             |            |       |     |     |    |    |         |                      |
| 22211-33010  |       |                     |     |                             |                         |             |            |       |     |     |    |    |         |                      |
| MD127841     |       |                     |     |                             |                         | EX          | 30.5       | 109.7 | 6.6 | 45° | c  | 7  |         |                      |
| MD127848     |       |                     |     |                             |                         |             |            |       |     |     |    |    |         |                      |
| MD130164     |       |                     |     |                             |                         |             |            |       |     |     |    |    |         |                      |
| MD184078     |       |                     |     |                             |                         |             |            |       |     |     |    |    |         |                      |
| 22212-33000  |       |                     |     |                             |                         |             |            |       |     |     |    |    |         |                      |
| 22212-33010  |       |                     |     |                             |                         |             |            |       |     |     |    |    |         |                      |

**mitsubishi**

**ENGINE VALVE**

| O.E PART NO.                                 | YEAR  | ENGINE MODEL                                   | CYL         | VEHICLE                       |                                      | IN<br>EX | DIMENSIONS   |                |            |            |        |          | REMARKS |
|--|-------|--|-------------|-------------------------------|--------------------------------------|----------|--------------|----------------|------------|------------|--------|----------|---------|
|  |       |  |             | NAME                          | MODEL                                |          | HD           | OL             | SD         | SA         | HS     | CG       |         |
| MD085253<br>22211-32604                      | 89-   | <b>4G63</b>                                    | 4           | DELICA                        | P04W, 24W                            | IN       | 46.0         | 106.5          | 8.0        | 45°        | c      | 7        |         |
| MD085254<br>22212-32604<br>MD096632          | 85-   | <b>4G64</b>                                    |             | GALANT<br>MAGMA               |                                      | EX       | 38.0         | 105.1          | 8.0        | 45°        | d      | 7        |         |
| MD162780<br>MD162799                         |       | <b>4G91</b>                                    | 4           | MIRAGE                        | CA3A, CB3A, CC3A,<br>3D3A            | IN       | 33.0         | 104.1          | 6.0        | 45°        | c      | 19       |         |
| MD162781<br>MD162800                         |       |  |             | LANCER                        | ECI                                  | EX       | 28.0         | 104.0          | 6.0        | 45°        | c      | 19       |         |
| MD196745<br>MD198570<br>MD197878<br>MD199615 | 91-   | <b>4G92-</b>                                   | 4           | MIRAGE                        | CA4A, CC4A                           | IN       | 33.0         | 115.6          | 6.0        | 45°        | c      | 19       |         |
| MD199616<br>MD193033<br>MD198732             |       | <b>D4</b>                                      |             |                               |                                      | EX       | 28.0         | 115.1          | 6.0        | 45°        | c      | 19       |         |
|  |       | <b>4G93</b>                                    |             |                               |                                      | IN       | 34.5         | 104.1          | 6.0        | 45°        |        |          |         |
|  |       |  |             |                               |                                      | EX       | 29.5         | 104.1          | 6.0        | 45°        |        |          |         |
| MD162422<br>MD162423<br>MD162616             | 91-92 | <b>4G92-S4</b><br><b>4G93</b>                  | 4<br>4<br>4 | ETERNA<br>EMERAUDE,<br>GALANT | N11W, 21W<br>E72A<br>E52A, 54A, E72A | IN<br>EX | 30.0<br>27.0 | 110.3<br>113.7 | 6.0<br>6.0 | 45°<br>45° | c<br>c | 7<br>7   |         |
| MD094396<br>MD106093<br>MD094397<br>MD106094 | 86-   | <b>6G71</b>                                    | 4           | ETERNA<br>GALANT              | V. V6, E17A 6G71<br>S11A             | IN<br>EX | 36<br>31.0   | 104.8<br>104.1 | 8.0<br>8.0 | 45°<br>45° | c<br>d | 7<br>7   |         |
| MD088811<br>MD301339<br>22211-35004          | 86-   | <b>6G72-</b><br><b>MP1</b>                     | 6           | DEBONAIR<br>PAJERO(MONTERO)   | V. V6                                | IN       | 43.0         | 103.0          | 8.0        | 45°        | c      | 7        |         |
| MD088812<br>MD096219<br>MD301340             | 86-   | <b>6G72</b>                                    | 6           | DIAMANTE/SIGMA                | S12A<br>L141 / 146 / Z16 / S22       | EX       | 35.0         | 102.7          | 8.0        | 45°        | d      | 7        |         |
| MD135479<br>MD135481<br>MD172315             |       | <b>6G72-D4</b><br><b>6G72-</b><br><b>D4-TC</b> | 6<br>6      |                               |                                      | IN       | 35.0         | 106.2          | 6.6        | 45°        | c      | 7        |         |
| MD135480<br>MD135482<br>MD183730             |       |  |             |                               |                                      | EX       | 30.5         | 105.3          | 6.6        | 45°        | c      | 7        |         |
| MD143334<br>MD165485<br>MD175527             | 90-   | <b>6G73-D4</b>                                 | 6           | CHARIOT<br>DIAMANTE           | F13A, 15A, 25A                       | IN       | 33.0         | 107.3          | 6.6        | 45°        | c      | 19       |         |
| MD143335<br>MD165486<br>MD173932             |       |  |             |                               |                                      | EX       | 28.0         | 106.1          | 6.6        | 45°        | c      | 19       |         |
| MD172315<br>MD168241                         |       | <b>6G74-</b><br><b>D4/3.0</b><br><b>DOHC</b>   | 6           |                               |                                      | IN<br>EX | 35.0<br>30.5 | 106.4<br>105.7 | 6.6<br>6.6 | 45°<br>45° | c<br>c | 19<br>19 |         |

**MITSUBISHI**

**ENGINE VALVE**

| O.E PART NO. | YEAR | ENGINE MODEL    | CYL   | VEHICLE                                    |                                  | IN<br>EX | DIMENSIONS |       |      |       |     |     | REMARKS |
|--------------|------|-----------------|-------|--|----------------------------------|----------|------------|-------|------|-------|-----|-----|---------|
|              |      |                 |       | NAME                                       | MODEL                            |          | HD         | OL    | SD   | SA    | HS  | CG  |         |
| MD180556     | 91-  | 6A10            | 4     | MIRAGE, LANCER                             | CB6A                             | IN       | 28.0       | 107.7 | 6.0  | 45°   | c   | 19  |         |
| MD177568     |      |                 |       |  |                                  | EX       | 24.0       | 106.4 | 6.0  | 45°   | c   | 19  |         |
| MD159744     | 92-  | 6A11            | 4     | ETERNA,<br>EMERAUDE<br>GALANT              | E53A                             | IN       | 27.5       | 113.1 | 6.0  | 45°   | c   | 19  |         |
| MD159745     |      |                 |       |  |                                  | EX       | 25.0       | 116.1 | 6.0  | 45°   | c   | 19  |         |
| MD160947     | 92-  | 6A12            | 4     | ETERNA<br><br>EMERAUDE<br><br>4552kol50466 | E54A, 64A<br><br>E84A            | IN       | 31.0       | 107.0 | 6.0  | 45°   | c   | 19  |         |
| MD181420     |      |                 |       |  |                                  | EX       | 27.0       | 105.7 | 6.0  | 45°   | c   | 19  |         |
| MD160948     |      |                 |       |  |                                  |          | 28.0       | 104.6 | 6.0  | 45°   | c   | 19  |         |
| MD160949     |      |                 |       |  |                                  |          |            |       |      |       |     |     |         |
| MD312193     |      |                 |       |  |                                  |          |            |       |      |       |     |     |         |
| MD173602     |      | 4D68            | 4     | lm.k, jm<br>GALANT<br><br>LIBERO, CARGO    | E57ATURBO<br>E77A4WD<br><br>CB8V | IN       | 36.0       | 114.1 | 8.0  | 45°   | d   | 19  |         |
| MD186756     |      |                 |       |  |                                  | EX       | 32.0       | 113.8 | 8.0  | 45°   | d   | 19  |         |
| MD173603     |      |                 |       |  |                                  |          | 32.0       | 113.8 | 8.0  | 45°   | d   | 19  |         |
| MD173604     |      |                 |       |  |                                  |          |            |       |      |       |     |     |         |
| MD180356     |      |                 |       |  |                                  |          |            |       |      |       |     |     |         |
| ME200050     |      | 4M40<br>(E65X)  | 4     |  |                                  | IN       | 41.0       | 108.6 | 8.0  | 45°   | d   | 19  |         |
| ME202687     |      |                 |       |  |                                  | EX       | 35.0       | 108.3 | 8.0  | 45°   | d   | 19  |         |
| ME201705     |      |                 |       |  |                                  |          | 35.0       | 108.3 | 8.0  | 45°   | d   | 19  |         |
| ME200051     |      |                 |       |  |                                  |          |            |       |      |       |     |     |         |
| ME202688     |      |                 |       |  |                                  |          |            |       |      |       |     |     |         |
| ME201706     |      |                 |       |  |                                  |          |            |       |      |       |     |     |         |
| 33704-10102  |      | S6B             | 6     |  |                                  | IN       | 48.0       | 180.2 | 10.0 | 45°   | d   | 7   |         |
| 36204-00100  |      |                 |       |  |                                  | EX       | 44.0       | 180.0 | 10.0 | 60°   | d   | 7   |         |
| 36204-21100  |      |                 |       |  |                                  |          | 44.0       | 180.0 | 10.0 | 60°   | d   | 7   |         |
| 32A04-10100  |      | S4S/S6S         | 4     | TRUCK                                      |                                  | IN       | 44.0       | 120.0 | 8.0  | 60°   | d   | 2   |         |
| 32A04-11100  |      |                 |       |  |                                  | EX       | 35.0       | 120.0 | 8.0  | 60°   | d   | 2   |         |
| 32A24-01100  |      |                 |       |  |                                  |          | 35.0       | 120.0 | 8.0  | 60°   | d   | 2   |         |
| 36704-00401  |      | S6F<br>(MTK)    | 6     |  |                                  | IN       | 44.0       | 134.0 | 8.0  | 60°   | d   | 2   |         |
| 36704-01601  |      |                 |       |  |                                  | EX       | 37.0       | 134.0 | 8.0  | 60°   | d   | 2   |         |
| MD006480     |      |                 |       |  |                                  | IN       | 41.0       | 111.1 | 8.0  | 45°   | c   | 7   |         |
| MD006481     |      |                 |       |  |                                  | EX       | 36.0       | 110.4 | 8.0  | 45°   | d   | 3   |         |
| MD202944     |      | 4G15<br>-S3-MVV | 4     |  |                                  | IN       | 27.0       | 100.8 | 6.6  | 45°   | c   | 19  |         |
| MD202945     |      |                 |       |  |                                  | EX       | 32.0       | 101.0 | 6.6  | 45°   | c   | 19  |         |
| K823311-2    |      | M7              |       |  |                                  | IN       | 33.0       | 109.0 | 8.0  | 45°   | d   | 3   |         |
| K823312-3    |      |                 |       |  |                                  | EX       | 30.0       | 109.0 | 8.0  | 45°   | d   | 3   |         |
| MD301193     |      | 4G63            | 4     |  |                                  | IN       | 33.0       | 112.3 | 6.0  | 45°   | c   | 19  |         |
| MD159502     |      |                 |       |  |                                  | EX       | 6G72       | 6     | 29.0 | 114.1 | 6.0 | 45° | c       |
| MD306183     |      | 29.0            | 114.1 |  |                                  |          |            |       | 6.0  | 45°   | c   | 19  |         |
| MD199193     |      |                 |       |  |                                  |          |            |       |      |       |     |     |         |
| MD197106     |      |                 |       |  |                                  |          |            |       |      |       |     |     |         |
| MD197097     |      |                 |       |  |                                  |          |            |       |      |       |     |     |         |
| MD310465     |      |                 |       |  |                                  |          |            |       |      |       |     |     |         |
| MD303177     |      |                 |       |  |                                  |          |            |       |      |       |     |     |         |
| MD4667807    |      |                 |       |  |                                  | IN       | 34.7       | 111.9 | 6.0  | 45°   | c   | 7   |         |
| MD4667810    |      |                 |       |  |                                  | EX       | 30.5       | 109.7 | 6.0  | 45°   | c   | 7   |         |
| MD4667969    |      |                 |       |  |                                  | IN       | 34.8       | 111.8 | 6.0  | 45°   | c   | 7   |         |
| MD4667972    |      |                 |       |  |                                  | EX       | 30.5       | 109.7 | 6.6  | 45°   | c   | 7   |         |
| MD212998     |      |                 |       |  |                                  | IN       | 31.0       | 112.4 | 6.0  | 45°   | c   | 19  |         |
| MD212799     |      |                 |       |  |                                  | EX       | 27.0       | 110.7 | 6.0  | 45°   | c   | 19  |         |

**MITSUBISHI**

**ENGINE VALVE**

| O.E PART NO. | YEAR | ENGINE MODEL                      | CYL | VEHICLE     |                     | IN<br>EX | DIMENSIONS |        |       |      |     |     | REMARKS |  |
|--------------|------|-----------------------------------|-----|-------------|---------------------|----------|------------|--------|-------|------|-----|-----|---------|--|
|              |      |                                   |     | NAME        | MODEL               |          | HD         | OL     | SD    | SA   | HS  | CG  |         |  |
| 30604-00100  | 62-  | <b>4DQ3</b>                       | 4   | 3ANTER      | T720, T90, T92, T94 | IN       | 40.0       | 118.0  | 8.0   | 45°  | c   | 7   |         |  |
| 30604-00102  | 68-  | <b>4DQ5</b>                       |     |             |                     |          |            |        |       |      |     |     |         |  |
| 30604-01101  | 68-  | <b>4DR1/<br/>4DQ1/5/7<br/>/11</b> |     |             |                     | EX       | 31.0       | 118.0  | 8.0   | 45°  | c   | 7   |         |  |
| 30604-01103  |      |                                   |     |             |                     |          |            |        |       |      |     |     |         |  |
| ME071313     |      | <b>6D17</b>                       |     |             |                     | IN       | 51.0       | 137.0  | 9.0   | 45°  | c   | 3   |         |  |
| ME170313     |      |                                   |     |             |                     |          |            |        |       |      |     |     |         |  |
| ME071961     |      |                                   |     |             |                     | EX       | 44.0       | 137.0  | 9.0   | 45°  | c   | 3   |         |  |
| ME071024     |      | <b>6D17-24V</b>                   |     |             |                     | I/E      | 40         | 128    | 8     | 45°  | a   | 3   |         |  |
| ME071024     |      |                                   |     |             |                     |          |            |        |       |      |     |     |         |  |
| ME017145     |      | <b>6D15/16<br/>4D33/6D</b>        | 6   |             |                     | IN       | 49.0       | 137.0  | 9.0   | 45°  | c   | 3   |         |  |
| ME012557     |      |                                   | 4   |             |                     | EX       | 42.0       | 137.0  | 9.0   | 45°  | c   | 3   |         |  |
| ME203101     |      | <b>4M41</b>                       | 4   | PAJERO2800  |                     | IN       | 33.0       | 115.4  | 6.6   | 45°  |     |     |         |  |
| ME203102     |      |                                   | 4   | MONTERO3500 |                     | EX       | 31.0       | 115.4  | 6.6   | 45°  |     |     |         |  |
| 37104-10100  | 90-  | <b>SN(DM)S<br/>N2</b>             | 6   |             |                     | IN       |            |        |       |      |     |     |         |  |
| 37104-20100  |      |                                   |     |             |                     |          |            |        |       |      |     |     |         |  |
| 37104-31500  |      |                                   |     |             |                     |          | EX         |        |       |      |     |     |         |  |
| 87104-01500  |      |                                   |     |             |                     | 50.0     |            | 197.4  | 10.0  | 60°  | d   | 7   |         |  |
| 87104-11500  |      |                                   |     |             |                     |          |            |        |       |      |     |     |         |  |
| 33504-11100  |      |                                   |     |             |                     |          |            | 50.0   | 193.5 | 10.0 | 45° | d   | 7       |  |
| ME240460     |      |                                   |     | <b>4M5</b>  | 8                   |          |            |        | IN    |      |     |     |         |  |
| ME240461     |      |                                   |     |             |                     | EX       |            |        |       |      |     |     |         |  |
| ME240748     |      | <b>6M50/60<br/>6M61</b>           | 6   |             |                     | IN       | 40.0       | 141.50 | 8.0   | 45°  | d   | 7   |         |  |
| ME240461     |      |                                   |     |             |                     | EX       | 36.0       | 141.50 | 8.0   | 45°  | d   | 7   |         |  |
| ME181123     |      | <b>6M70</b>                       | 6   |             |                     | IN       | 46.0       | 192.0  | 10.0  | 60°  | d   | 7-1 |         |  |
| ME352611     |      |                                   |     |             |                     | EX       | 46.0       | 192.3  | 10.0  | 45°  | d   | 7-1 |         |  |
| ME160062     |      | <b>8M20/21<br/>10M21</b>          |     |             |                     | IN       | 50.0       | 185.20 | 10.0  | 45°  | d   | 7-1 |         |  |
| ME350711     |      |                                   |     |             |                     | EX       | 46.0       | 185.50 | 10.0  | 45°  | d   | 7-1 |         |  |
| ME120788     |      |                                   |     |             |                     |          |            |        |       |      |     |     |         |  |
| ME352614     |      |                                   |     |             |                     |          |            |        |       |      |     |     |         |  |
| ME120529     |      | <b>6D40<br/>8M22</b>              | 6   |             |                     | IN       | 46.0       | 185.20 | 10.0  | 45°  | d   | 7-1 |         |  |
| ME350711     |      |                                   |     |             |                     | EX       | 46.0       | 185.50 | 10.0  | 45°  | d   | 7-1 |         |  |
| ME120788     |      |                                   |     |             |                     |          |            |        |       |      |     |     |         |  |
| ME352614     |      |                                   |     |             |                     |          |            |        |       |      |     |     |         |  |
| 32504-00200  |      | <b>S6A</b>                        | 6   |             |                     | IN       | 54         | 180    | 10    | 60°  | d   | 7   |         |  |
| 32504-11201  |      |                                   |     |             |                     | EX       | 50         | 180    | 10    | 60°  | d   | 7   |         |  |
| 32504-00200  |      | <b>S6A2<br/>S6A3</b>              | 6   |             |                     | IN       | 54         | 180    | 10    | 60°  | d   | 8-1 |         |  |
| 32504-11201  |      |                                   |     |             |                     | EX       | 50         | 180    | 10    | 60°  | d   | 8-1 |         |  |
| 36204-20100  |      | <b>S6B<br/>(MTK)</b>              | 6   |             |                     | IN       | 48         | 180    | 10    | 60°  | d   | 7   |         |  |
| 36204-41101  |      |                                   |     |             |                     | EX       | 44         | 180    | 10    | 60°  | d   | 7   |         |  |
| 36204-20100  |      | <b>S6B3<br/>(MTK)</b>             | 6   |             |                     | IN       | 48         | 180    | 10    | 60°  | d   | 8-1 |         |  |
| 36204-41101  |      |                                   |     |             |                     | EX       | 44         | 180    | 10    | 60°  | d   | 8-1 |         |  |
| 37104-20100  |      | <b>S6N</b>                        | 6   |             |                     | IN       | 54         | 197.4  | 10    | 60°  | d   | 7   |         |  |
| 37104-31501  |      |                                   |     |             |                     | EX       | 50         | 197.4  | 10    | 60°  | d   | 7   |         |  |
| 37504-30200  |      | <b>S6R</b>                        | 6   |             |                     | IE       | 57.0       | 205.0  | 10.0  | 60°  | d   | 8-1 |         |  |
| 37504-20200  |      |                                   |     |             |                     |          |            |        |       |      |     |     |         |  |
| 37504-38400  |      | <b>S6R2</b>                       | 6   |             |                     | IE       | 52.0       | 205.0  | 10.0  | 60°  | d   | 8-1 |         |  |
| 37504-38100  |      |                                   |     |             |                     |          |            |        |       |      |     |     |         |  |
| 37504-28400  |      |                                   |     |             |                     |          |            |        |       |      |     |     |         |  |



## NISSAN

## ENGINE VALVE

| O.E PART NO. | YEAR   | ENGINE MODEL    | CYL         | VEHICLE                                 |  | IN EX   | DIMENSIONS |        |       |      |       |     | REMARKS |   |                             |  |  |
|--------------|--------|-----------------|-------------|---|--|---------|------------|--------|-------|------|-------|-----|---------|---|-----------------------------|--|--|
|              |        |                 |             | NAME                                    | MODEL  |         | HD         | OL     | SD    | SA   | HS    | CG  |         |   |                             |  |  |
| 13201-18000  | 66-76  | <b>A10</b>      | 4           | SUNNY1000,<br>CHERRY1000                | B10/20, C10/20,<br>E10                           | IN      | 35.0       | 103.8  | 8.0   | 45°  | c     | 2   |         |   |                             |  |  |
| 13201-H1000  | 78-    |                 |             | SUNNY1200,<br>CHERRY1200                | B110 / 120 / 121 / 122<br>B210 / 211 / 310 / 311 |         |            |        |       |      |       |     |         |   |                             |  |  |
| 13201-H2300  |        |                 |             | PULSAR1200                              | F10/11,C20/21/122/12<br>2N10/11                  |         |            |        |       |      |       |     |         |   |                             |  |  |
| 13201-H7400  |        |                 |             |   |  |         |            |        |       |      |       |     |         |   |                             |  |  |
| 13202-18000  | 70-    | <b>A12</b>      | 4           |   |  | EX      | 33.0       | 111.97 | 8.0   | 45°  | c     | 2   |         |   |                             |  |  |
| 13202-H1000  |        |                 |             |   |  |         |            |        |       |      |       |     |         |   |                             |  |  |
| 13202-H2300  |        |                 |             |   |  |         |            |        |       |      |       |     |         |   |                             |  |  |
| 13202-H7400  |        |                 |             |   |  |         |            |        |       |      |       |     |         |   |                             |  |  |
| 13201-19901  |        | <b>A10 /A12</b> | 4           | OS.0.2mm                                |  | IN      | 35.0       | 103.8  | 8.2   | 45°  |       |     |         |   |                             |  |  |
| 13202-19901  | EX     |                 |             |   |  | 29.0    | 103.8      | 8.2    | 45°   |      |       |     |         |   |                             |  |  |
| 13201-19902  |        | <b>A10 /A12</b> | 4           | OS.0.4mm                                |  | IN      | 35.0       | 103.8  | 8.4   | 45°  |       |     |         |   |                             |  |  |
| 13202-19902  | EX     |                 |             |   |  | 29.0    | 103.8      | 8.4    | 45°   |      |       |     |         |   |                             |  |  |
| 13201-H6200  | 74-    | <b>A14</b>      | 4           | SUNNY1400,<br>CHERRY1400                | B210/211/310/312                                 | IN      | 37.0       | 103.8  | 8.0   | 45°  | c     | 2   |         |   |                             |  |  |
| 13202-H6200  | 76-    |                 |             | VIOLET1400,<br>LANGLEY1400              | A10/11, F10/11,<br>120/121                       | EX      | 30.0       | 103.8  | 8.0   | 45°  | c     | 2   |         |   |                             |  |  |
| 13202-H8900  |        |                 |             | PULSAR1400                              | 710, N10/11                                      |         |            |        |       |      |       |     |         |   |                             |  |  |
| 13201-H9500  | ~80-83 | <b>A15</b>      | 4           | SUNNY1400,<br>CHERRY1400                | B11, C120/122,<br>N10/11                         | IN      | 35.0       | 99.8   | 8.0   | 45°  | c     | 2   |         |   |                             |  |  |
| 13202-H9500  |        |                 |             | DATSUN 1500,<br>PULSAR1500<br>SUNNY1500 | B310, N12  | EX      | 30.0       | 99.8   | 8.0   | 45°  | c     | 2   |         |   |                             |  |  |
| 13201-D0100  | 81-    | <b>CA16</b>     | 4           | BLUEBIRD1600                            | U11 T11  | IN      | 38.0       | 106.7  | 7.0   | 45°  | c     | 3   |         |   |                             |  |  |
| 13201-D1200  |        |                 |             |   |  |         | EX         | 35.0   | 108.0 | 7.0  | 45°   | c   | 3       |   |                             |  |  |
| 13202-D0100  |        |                 |             |   | STANZA1600,<br>AUSTER1600                        |         |            |        |       |      |       |     |         |   |                             |  |  |
| 13202-D1200  |        |                 |             |   |  |         |            |        |       |      |       |     |         |   |                             |  |  |
| 13201-51E10  | 87-89  | <b>CA18</b>     | 4           | PULSAR                                  |  | IN      | 34.0       | 89.0   | 6.0   | 45°  | c     | 7   |         |   |                             |  |  |
| 13201-51E00  |        | <b>CA18DE</b>   |             | SUNNY, BLUEBIRD                         |  |         | EX         | 30.0   | 116.0 | 7.0  | 45°   | c   | 2       |   |                             |  |  |
| 13202-64M10  |        |                 |             |   |  |         |            |        |       |      |       |     |         |   |                             |  |  |
| 13202-64M10  |        |                 |             |   |  |         |            |        |       |      |       |     |         |   |                             |  |  |
| 13201-D0200  | 81-    | <b>CA18</b>     | 4           | BLUEBIRD1800,<br>LAUREL1800             | U11 T11, C31, S12,<br>M10                        | IN      | 40.0       | 106.7  | 7.0   | 45°  | c     | 3   |         |   |                             |  |  |
| 13201-D1200  |        |                 |             |   | SILVIA1800,<br>AUSTER1800                        |         |            |        |       |      |       |     |         |   |                             |  |  |
| 13202-D0100  |        | 83-             | <b>CA20</b> | 4                                       | STANZA1800,<br>PRAIRIE1800                       | U11 Y30 | EX         | 35.0   | 108.0 | 7.0  | 45°   | c   | 3       |   |                             |  |  |
| 13202-D1200  |        |                 |             |   |  |         |            |        |       |      |       |     |         |   | BLUEBIRD2000,<br>GLORIA2000 |  |  |
| 13201-D2000  | 83-    | <b>CA18</b>     | 4           | STANZA2000                              |  | IN      | 41.0       | 107.0  | 7.0   | 45°  | c     | 3   |         |   |                             |  |  |
| 13201-D2200  |        | <b>CA20</b>     |             |   |  | 4       |            |        | EX    | 35.0 | 108.0 | 7.0 | 45°     | c | 3                           |  |  |
| 13202-D0100  |        |                 |             |   |  |         |            |        |       |      |       |     |         |   |                             |  |  |
| 13202-D1200  |        |                 |             |   |  |         |            |        |       |      |       |     |         |   |                             |  |  |
| 13201-V5500  |        | <b>CA20</b>     | 4           |   |  | IN      | 40.1       | 106.7  | 7.0   | 45°  |       |     |         |   |                             |  |  |
| 13202-V5500  |        |                 |             |   |  | EX      | 35.1       | 108.0  | 7.0   | 45°  |       |     |         |   |                             |  |  |
| 13201-17F00  | 84-    | <b>CA18T</b>    | 4           | AUSTER1800,<br>BLUEBIRD1800             | U11 S12  | IN      | 41.0       | 105.7  | 7.0   | 45°  | c     | 3   |         |   |                             |  |  |
| 13202-17F00  |        |                 |             |   | LAUREL1800,<br>LAUREL1800                        |         | EX         | 35.1   | 106.7 | 7.0  | 45°   | c   | 3       |   |                             |  |  |
| 13202-18F00  |        |                 |             |   | SILVIA1800,<br>STANZA1800                        |         |            |        |       |      |       |     |         |   |                             |  |  |

## NISSAN

## ENGINE VALVE

| O.E PART NO.   | YEAR           | ENGINE MODEL      | CYL        | VEHICLE   |   | IN EX | DIMENSIONS |        |     |     |    |    | REMARKS |
|--|----------------|-------------------|------------|---|---|-------|------------|--------|-----|-----|----|----|---------|
|  |                |                   |            | NAME  | MODEL   |       | HD         | OL     | SD  | SA  | HS | CG |         |
| 13201-17F00<br>13201-17F01<br>13202-22F00  |                | CA 18T<br>(EUROP) | 4          | PULSAR  |   | IN    | 41.0       | 105.7  | 7.0 | 45° | c  | 3  |         |
|  |                |                   |            |   |   | EX    | 35.0       | 107.0  | 7.0 | 45° | d  | 3  |         |
| 13201-16A00<br>13201-16A01<br>13202-16A00<br>13202-16A01<br>13202-D2800                | 83-            | CD17/C<br>D17T    | 4          | SENTRA1700,<br>PULSAR1700<br><br>(DIESEL)LANGLEY<br>LIBERTA, PULSAR,<br>SUNNY           | B11, N12<br><br>B12/13<br><br>N13               | IN    | 36.0       | 100.9  | 7.0 | 45° | d  | 3  |         |
|  |                |                   |            |   |   | EX    | 31.0       | 100.9  | 7.0 | 45° | d  | 3  |         |
| 13201-31M00<br>13201-69A00<br>13202-31M00<br>13202-69A00                               | 83-<br>84      | CD17<br>E16       | 4          | SENTRA/PULSAR<br>SUNNY  | E16<br><br>B11 / 12 / 13<br><br>N12/13          | IN    | 37.0       | 116.7  | 7.0 | 45° | c  | 2  |         |
|  |                |                   |            |   |   | EX    | 30.0       | 115.50 | 7.0 | 45° | c  | 2  |         |
| 13201-41M00<br>13201-41M01<br>13202-41M00<br>13202-41M01                               | 82-            | E 10<br>K10       | 4          | SUNNY<br>PULSER, SENTRA   | B11/12/13                                       | IN    | 35.0       | 119.3  | 7.0 | 45° | c  | 2  |         |
|  |                |                   |            |   |   | EX    | 29.0       | 118.58 | 7.0 | 45° | c  | 2  |         |
| 13201-01M00<br>13201-05M00<br>13202-01M00<br>13202-05M00                               | 81-<br><br>81- | E13<br><br>E15    | 4<br><br>4 | SUNNY1300,<br>PULSAR1300<br><br>SUNNY1500,<br>PULSAR1500<br>LANGLEY1500,<br>PRAIRIE1500 | B11, N10/12<br><br>B11, N10/12, M10             | IN    | 37.0       | 118.7  | 7.0 | 45° | c  | 2  |         |
|  |                |                   |            |   |   | EX    | 30.0       | 118.05 | 7.0 | 45° | c  | 2  |         |
| 13201-15M00<br>13201-25M00<br>13202-15M00<br>13202-25M00<br>13202-53A00<br>13202-63A00 | 81-            | E15<br><br>(EG1)  | 4          | PULSAR1500<br>SUNNY1500   | N10/12<br><br>B12/13                            | IN    | 37.0       | 119.6  | 7.0 | 60° | c  | 2  |         |
|  |                |                   |            |   |   | EX    | 30.0       | 119.85 | 7.0 | 45° | c  | 2  |         |
| 13201-25M00<br>13202-25M00   | 81-            | E15               | 4          | PULSAR1500(EURO<br>PE)  | N10 / 12  | IN    | 37.0       | 119.6  | 7.0 | 45° | c  | 3  |         |
|  |                |                   |            |   |   | EX    | 30.0       | 119.85 | 7.0 | 45° | c  | 2  |         |
| 13201-31M00<br>13201-69A00<br>13202-31M00<br>13202-61A00<br>13202-69A00                | 83-<br>84-     | E16<br>CD17       | 4          | SENTRA1600P,<br>PULSAR1600<br>SUNNY   | S11P, N11<br><br>B11 / 12 / 13/<br><br>N12 / 13 | IN    | 37.0       | 116.7  | 7.0 | 45° | c  | 2  |         |
|  |                |                   |            |   |   | EX    | 30.0       | 115.50 | 7.0 | 45° | c  | 2  |         |
| 13201-78500<br>13202-78500<br>13202-S0500  | 68-            | G16<br>G18        | 4<br>4     | SKYLINE,<br>LAUREL1600 / 1800   | PC10/110, C110,<br>C30/<br>130                  | IN    | 42.0       | 116.4  | 8.0 | 45° | c  | 2  |         |
|  |                |                   |            |   |   | EX    | 35.0       | 117.2  | 8.0 | 45° | d  | 2  |         |
| 13201-57Y00<br>13201-57X00<br>13201-70N00<br>13202-53Y00<br>13202-8M100                | 91-93          | GA16E<br>GA16D    | 4          | NWSENTRA  | B13/14, N14                                     | IN    | 29.9       | 92.25  | 5.5 | 45° | c  | 7  |         |
|  |                |                   |            |   |   | EX    | 24.0       | 92.6   | 5.5 | 45° | c  | 7  |         |
|  |                |                   |            |   |   |       | 24.9       | 92.62  | 5.5 | 45° |    |    |         |
| 13201-84A00<br>13201-88A00<br>13201-77A00<br>13202-84A00<br>13202-88A00<br>13202-87A00 | 87-89          | GA16I<br>FA3      | 4          | SENTRA/PULSAR   | B13   | IN    | 29.0       | 113.5  | 6.0 | 45° | c  | 7  |         |
|  |                |                   |            |   |   | EX    | 32.8       | 116.27 | 6.6 | 45° | c  | 7  |         |
|  |                |                   |            |   |   | EX    | 32.0       | 116.27 | 6.6 | 45° |    |    |         |

**NISSAN**

**ENGINE VALVE**

| O.E PART NO.   | YEAR  | ENGINE MODEL                 | CYL        | VEHICLE   |   | IN EX        | DIMENSIONS                   |                                 |                           |                           |                     |                     | REMARKS |
|--|-------|------------------------------|------------|---|---|--------------|------------------------------|---------------------------------|---------------------------|---------------------------|---------------------|---------------------|---------|
|  |       |                              |            | NAME  | MODEL   |              | HD                           | OL                              | SD                        | SA                        | HS                  | CG                  |         |
| 13201-78200<br>13201-78203<br>13201-66700  | 66-   | <b>H20</b>                   | 4          | SEDRIC, GLORIA,<br>CABALL   | 130 / 230 / 330 / 340   | IN           | 42.0                         | 109.2                           | 8.7                       | 45°                       | c                   | 2                   |         |
| 13201-F1800<br>13201-61700<br>13201-P0500<br>13202-66700<br>13202-78200<br>13202-78210   | 66-75 | <b>H30</b>                   | 6          | HOMER2000<br><br>PRESIDENT3000,<br>FORK   | C240, PF20, 41/140,<br>E23<br><br>150 / 250, C80,<br>FG006 /007 | EX           | 42.0                         | 110.2                           | 8.7                       | 45°                       | c                   | 2                   |         |
| 13202-P0500<br>13202-P5100<br>13202-F1800  |       |                              |            |   |   |              | 32.0                         | 109.2                           | 8.7                       | 45°                       | c                   | 2                   |         |
| 13202-P0500<br>13202-P5100<br>13202-F1800  |       |                              |            |   |   |              | 32.0                         | 110.2                           | 8.8                       | 45°                       | c                   | 2                   |         |
| 13202-F1800  |       |                              |            |   |   |              | 32.0                         | 110.7                           | 8.7                       | 45°                       | c                   | 2                   |         |
| 13201-78201<br>13201-F1801<br>13201-P0501  |       | <b>H20</b>                   | 4          | CEDRIC, GLORIA,<br>CABALL   |   | IN           | 42.0                         | 109.2                           | 8.9                       | 45°                       | c                   | 2                   |         |
| 13202-78201<br>13202-P0501<br>13202-P5101  |       | <b>H30</b>                   | 6          | CABSTAR, JUNIOR,<br><br>HOMER2000<br><br>PRESIDENT3000,<br>FORK<br><br>OS,0.4mm               |   | EX           | 42.0                         | 111.20                          | 8.9                       | 45°                       | c                   | 2                   |         |
| 13202-78201<br>13202-P0501<br>13202-P5101  |       |                              |            |   |   |              | 32.0                         | 111.7                           | 8.9                       | 45°                       | c                   | 2                   |         |
| 13201-78202<br>13201-F1802<br>13201-P0502<br>13201-P5102   |       | <b>H20</b>                   | 4          | CEDRIC, GLORIA,<br>CABALL   |   | IN           | 42.0                         | 112.20                          | 9.1                       | 45°                       | c                   | 2                   |         |
| 13201-F1802<br>13201-P0502<br>13201-P5102  |       | <b>H20</b>                   | 4          | CABSTAR, JUNIOR,<br><br>HOMER200  |   | IN           | 42.0                         | 112.20                          | 9.1                       | 45°                       | c                   | 2                   |         |
| 13202-78202<br>13202-P0502<br>13202-P5102  |       | <b>H30</b>                   | 6          | PRESIDENT3000,<br>FORK<br><br>OIS. 0.4mm  |   | EX           | 32.0                         | 112.70                          | 9.1                       | 45°                       | c                   | 2                   |         |
| 13202-78202<br>13202-P0502<br>13202-P5102  |       |                              |            |   |   |              | 32.0                         | 112.70                          | 9.1                       | 45°                       | c                   | 2                   |         |
| 13201-10600<br>13201-20600   |       |                              | 4          | BLUEBIRD,<br><br>DATSUN<br>TRUCK1300  |   | IN           | 35.2                         | 109.5                           | 8.7                       | 45°                       | c                   | 5                   |         |
| 13202-B3900<br>13202-B5900<br>13202-08000<br>13202-09600<br>13202-10600<br>13020-20600   | 65-75 | <b>J13</b>                   |            |   | A321 / 521<br>410/510/520<br>P 130                              | EX           | 30.5                         | 108.7                           | 8.7                       | 45°                       | c                   | 5                   |         |
| 13201-10610<br>13202-B5910   | 72-   | <b>J13</b>                   | 4          | DATSUN<br>TRUCK1300<br>BLUEBIRD1300   | 620   | IN           | 35.0                         | 109.5                           | 8.7                       | 45°                       | c                   | 2                   |         |
| 13201-10610<br>13202-B5910   |       |                              |            |   |   | EX           | 30.0                         | 108.7                           | 8.7                       | 45°                       | c                   | 2                   |         |
| 13201-73000<br>13201-B5200<br>13201-B5100<br>13201-01W00<br>13202-B3000<br>13202-B5000<br>13202-B5100<br>13202-B5200<br>13202-01W00<br>13202-16700 | 70-   | <b>J15</b><br><br><b>J16</b> | 4<br><br>4 | DATSUN TRUCK,<br>CABSTAR1500<br><br>CARAVAN<br>HOMER1500/1600<br><br>DATSUN<br>TRUCK1500/1600 | N521, PA321<br><br>VE20, VSE20, T20<br>TE20<br><br>520 / 620    | IN<br><br>EX | 37.9<br><br>38.0<br><br>32.0 | 109.5<br><br>109.5<br><br>109.5 | 8.7<br><br>8.7<br><br>8.7 | 45°<br><br>45°<br><br>45° | c<br><br>c<br><br>d | 5<br><br>5<br><br>5 |         |

**NISSAN**

**ENGINE VALVE**

| O.E PART NO. | YEAR  | ENGINE MODEL  | CYL         | VEHICLE                       |   | IN<br>EX       | DIMENSIONS |       |     |     |    |    | REMARKS |  |
|--------------|-------|---------------|-------------|-------------------------------|---|----------------|------------|-------|-----|-----|----|----|---------|--|
|              |       |               |             | NAME                          | MODEL   |                | HD         | OL    | SD  | SA  | HS | CG |         |  |
| 13201-01W01  | 70-   | <b>J15</b>    | 4           | DATSUN TRUCK,<br>CABSTAR1     | 321 / 521 / 620,<br>A320 / 321                | IN             | 38.0       | 109.5 | 8.7 | 45° | c  | 2  |         |  |
| 13201-01W03  |       | <b>J16</b>    | 4           | CARAVAN,<br>HOMER1500         | E20, F20/01/02, 720<br>E20/23, 720, F21       | EX             | 32.0       | 109.5 | 8.7 | 45° | d  | 2  |         |  |
| 13202-01W01  | 72-   |               |             |                               |   |                |            |       |     |     |    |    |         |  |
| 13202-01W03  | 74    |               |             |                               |   |                |            |       |     |     |    |    |         |  |
| 13202-01W13  |       |               |             |                               |   |                |            |       |     |     |    |    |         |  |
| 13201-24M00  |       | <b>J16</b>    | 4           |                               |   | IN             | 40.0       | 108.2 | 8.0 | 45° |    |    |         |  |
| 13202-24M00  |       |               |             |                               |   | EX             | 35.0       | 108.2 | 8.0 | 45° |    |    |         |  |
| 13201-53F01  | 90-93 | <b>KA24DE</b> | 4           | ALTIMA                        | 240SX, KA24DE                                 | IN             | 36.6       | 101.5 | 7.0 | 45° | c  | 7  |         |  |
| 13201-53F02  |       |               |             |                               |   | EX             | 31.0       | 98.8  | 7.0 | 45° | c  | 7  |         |  |
| 13202-53F00  |       |               |             |                               |   |                |            |       |     |     |    |    |         |  |
| 13202-53F01  |       |               |             |                               |   |                |            |       |     |     |    |    |         |  |
| 13201-21000  | 69-75 | <b>L13</b>    | 4           | BLUEBIRD1300                  | 510   | IN             | 38.0       | 117.2 | 8.0 | 45° | c  | 2  |         |  |
| 13201-23002  | 70-77 | <b>L14</b>    | 4           | BLUEBIRD,<br>SUNNY1400        | 510/710/711                                   |                |            |       |     |     |    |    |         |  |
| 13201-A3000  | 66-   | <b>L20</b>    | 6           | GEORIC,                       | BI10 / 210/211                                | EX             | 33.0       | 117.5 | 8.0 | 45° | c  | 2  |         |  |
| 13201-A3500  |       | <b>20A</b>    |             | 6                             | FAIRLADY,<br>LAURWEL2400                      |                |            |       |     |     |    |    |         | 130 / 230 / 330 / 430,<br>C10/30/110/130 |
| 13201-A3510  | 72-   | <b>L24</b>    |             | VIOLET1400,<br>LAUREL2000     | 230/430, S30/31, 610<br>C10/210/230<br>C31/32 |                |            |       |     |     |    |    |         |  |
| 13202-21001  |       |               |             |                               |   |                |            |       |     |     |    |    |         |  |
| 13202-21002  |       |               |             |                               |   |                |            |       |     |     |    |    |         |  |
| 13202-21003  |       |               |             |                               |   |                |            |       |     |     |    |    |         |  |
| 13202-23001  |       |               |             |                               |   |                |            |       |     |     |    |    |         |  |
| 13202-23002  |       |               |             |                               |   |                |            |       |     |     |    |    |         |  |
| 13202-23003  |       |               |             |                               |   |                |            |       |     |     |    |    |         |  |
| 13201-23000  | 67-   | <b>L16</b>    | 4           | BLUEBIRD,<br>SKYLINE1600      | 510/610/710/810/910                           | IN             | 42.0       | 116.5 | 8.0 | 45° | c  | 2  |         |  |
| 13201-23003  |       |               |             |                               | A10/11, B211,<br>C10/210                      | EX             | 35.0       | 117.5 | 8.0 | 45° |    |    |         |  |
| 13201-N7000  |       |               |             |                               |   |                |            |       |     |     |    |    |         |  |
| 13201-A1100  |       |               | <b>L24E</b> |                               |   |                |            |       |     |     |    |    |         |  |
| 13202-21002  |       |               |             |                               |   |                |            |       |     |     |    |    |         |  |
| 13202-21003  |       |               |             |                               |   |                |            |       |     |     |    |    |         |  |
| 13202-23001  |       |               |             |                               |   |                |            |       |     |     |    |    |         |  |
| 13202-23002  |       |               |             |                               |   |                |            |       |     |     |    |    |         |  |
| 13201-A1100  | 70-   | <b>L18</b>    | 4           | BLUEBIRD, LAUREL,<br>SKYLINE  | 510/610/720/810<br>C130/210/230.C10/11        | IN             | 42.0       | 116.5 | 8.0 | 45° | c  | 2  |         |  |
| 13201-N7000  | 74-   | <b>L24</b>    | 6           | SILVIA1800                    | 620/720/910, R30                              | EX             | 35.0       | 117.5 | 8.0 | 45° | c  | 2  |         |  |
| 13202-N6800  |       | <b>L26</b>    |             | 6                             | DATSUN, DATSUN<br>PICKUP2000                  | 230, S30, C130 |            |       |     |     |    |    |         |  |
| 13202-N6801  |       |               |             | GEORIC, GLORIA,<br>LAUREL2600 |   |                |            |       |     |     |    |    |         |  |
| 13202-N0400  |       | <b>L20B</b>   | 6           | FAI RLADY260Z                 |   |                |            |       |     |     |    |    |         |  |
| 13202-N0401  |       |               |             |                               |   |                |            |       |     |     |    |    |         |  |
| 13202-N0411  |       |               |             |                               |   |                |            |       |     |     |    |    |         |  |
| 13201-N4200  | 75-   | <b>L28</b>    | 6           | CEDRIC, GLORIA,<br>LAUREL2800 | 330 / 430, S130,<br>C31 / 130 / 230           | IN             | 44.0       | 116.5 | 8.0 | 45° | c  | 2  |         |  |
| 13201-N4201  |       |               | 6           | FAIRLADY280Z                  | F30, PL330/430<br>G130                        | EX             | 35.0       | 117.5 | 8.0 | 45° | c  | 2  |         |  |
| 13202-N6800  |       |               |             |                               |   |                |            |       |     |     |    |    |         |  |
| 13202-N6801  |       |               |             |                               |   |                |            |       |     |     |    |    |         |  |
| 13202-N0400  |       |               |             |                               |   |                |            |       |     |     |    |    |         |  |
| 13202-N0401  |       |               |             |                               |   |                |            |       |     |     |    |    |         |  |
| 13202-N0411  |       |               |             |                               |   |                |            |       |     |     |    |    |         |  |
| 13201-P7900  | 80-   | <b>L28ET</b>  | 6           | FAI RLADY280ZX                | S130, 430                                     | IN             | 44.0       | 114.2 | 8.0 | 45° | c  | 2  |         |  |
| 13201-P7980  |       | <b>L28T</b>   | 6           | CEDRIC                        |   | EX             | 35.0       | 115.2 | 8.0 | 45° | c  | 2  |         |  |
| 13202-07L00  |       |               |             |                               |   |                |            |       |     |     |    |    |         |  |
| 13202-P7901  |       |               |             |                               |   |                |            |       |     |     |    |    |         |  |

## NISSAN

## ENGINE VALVE

| O.E PART NO.   | YEAR        | ENGINE MODEL | CYL | VEHICLE                      |                             | IN EX            | DIMENSIONS |       |                           |               |       |       | REMARKS |        |       |             |     |    |      |       |     |     |
|--|-------------|--------------|-----|------------------------------|-----------------------------|------------------|------------|-------|---------------------------|---------------|-------|-------|---------|--------|-------|-------------|-----|----|------|-------|-----|-----|
|  |             |              |     | NAME                         | MODEL                       |                  | HD         | OL    | SD                        | SA            | HS    | CG    |         |        |       |             |     |    |      |       |     |     |
| 13201-01B00<br>13201-10B00   | 82-         | MA10<br>MA12 | 4   | MARCH                        |                             | IN               | 35.0       | 109.7 | 7.0                       | 45°           | c     | 2     |         |        |       |             |     |    |      |       |     |     |
| 13202-01B00<br>13202-10B00<br>13202-Z7001<br>13202-Z7002                               |             |              |     | MICRA                        |                             |                  | EX         | 30.0  | 109.2                     | 7.0           | 45°   | c     | 2       |        |       |             |     |    |      |       |     |     |
| 13201-EN20B<br>13201-EN20A<br>13202-EN20B<br>13202-EN200                               |             |              |     |                              |                             |                  |            | IN    | 33.8                      | 106.27        | 5.5   | 45°   |         |        |       |             |     |    |      |       |     |     |
|  |             |              |     |                              |                             |                  |            | EX    | 27.6                      | 105.26        | 5.5   | 45°   |         |        |       |             |     |    |      |       |     |     |
| 13201-58000<br>13201-58001<br>13201-C8000<br>13201-C8001<br>13201-C8010<br>13201-44200 |             |              |     | 59-<br>80                    | P40                         |                  |            | 6     | PATROL<br>TRUCK           | 60<br>680 160 | IN    | 43.0  | 131.6   | 8.7    | 45°   | d           | 3   |    |      |       |     |     |
| 13202-58000<br>13202-58002<br>13202-58400<br>13202-C0600<br>13202-C8000                |             |              |     | EX                           |                             | 36.2             | 131.6      |       | 8.7                       | 45°           |       | d     | 3       |        |       |             |     |    |      |       |     |     |
| 13201-61700<br>13201-12200   | 64-70<br>65 | R            | 4   | FAIRLADY1600<br>BLUEBIRD1600 |                             | N41, SP311, R411 | IN         |       | 42.0                      | 109.2         |       | 8.7   | 45°     | c      | 2     |             |     |    |      |       |     |     |
| 13202-61700<br>13202-12200   |             |              |     |                              |                             |                  |            |       | EX                        | 32.0          |       | 109.2 | 8.7     | 45°    | c     | 2           |     |    |      |       |     |     |
| 13201-V5001<br>13201-VS100<br>13201-V5010<br>13201-V6900                               | 82-<br>84-  |              |     | VG20                         |                             | V6               |            |       | FAIRLADY Z,<br>CEDRIC V20 | Z31, Y30      |       | IN    | 38.0    | 128.1  | 7.0   | 45°         | c   | 3  |      |       |     |     |
| 13202-V5010<br>13202-65L00<br>13202-VS100<br>13202-V5020                               |             |              |     |                              |                             |                  |            |       | EX                        | 33.0          | 127.5 |       | 8.0     | 45°    | c     | 3-1         |     |    |      |       |     |     |
| 13201-V5202<br>13201-V5200<br>13201-1W100<br>13201-VR200                               | 83-         | VG30         | V6  |                              | FAIRLADY300Z,<br>CEDRIC V30 |                  | Z31, Y30   | IN    | 42.0                      | 125.6         | 7.0   |       | 45°     | c      | 3     |             |     |    |      |       |     |     |
| 13202-V5210<br>13202-V6510<br>13202-1W900<br>13202-VR200<br>13202-1W900<br>13202-42E00 |             |              |     |                              | RB30                        |                  | V6         |       | GLORIA V30                |               |       |       | EX      | 35.0   | 124.5 | 8.0         | 45° | c  | 3-1  |       |     |     |
| 13201-97E00<br>13202-97E00   |             |              |     |                              |                             |                  |            |       |                           |               |       |       |         | UG30DE | 6     | MAXIMA DOHC |     | IN | 35.0 | 110.5 | 6.0 | 45° |
|  |             |              |     | EX                           |                             | 30.6             |            |       |                           |               |       | 102.7 |         |        |       |             |     |    | 6.0  | 45°   | c   | 7   |
| 13201-21000<br>13202-21002   |             | 70-          | Z14 | 4                            | SUNNY1400                   | PB110 / 210      | IN         | 38.0  | 117.5                     | 8.0           | 45°   | c     | 2       |        |       |             |     |    |      |       |     |     |
|  |             |              |     |                              | EX                          | 33.0             |            | 117.5 | 8.0                       | 45°           | c     | 2     |         |        |       |             |     |    |      |       |     |     |

**NISSAN**

**ENGINE VALVE**

| O.E PART NO.  | YEAR                                 | ENGINE MODEL  | CYL                 | VEHICLE   |  | IN EX                  | DIMENSIONS           |                          |                    |                    |                |                | REMARKS |
|---|--------------------------------------|---|---------------------|---|--|------------------------|----------------------|--------------------------|--------------------|--------------------|----------------|----------------|---------|
|   |                                      |   |                     | NAME  | MODEL  |                        | HD                   | OL                       | SD                 | SA                 | HS             | CG             |         |
| 13201-W0401<br>13201-Y8780<br>13201-W0500<br>13201-W7000                | 78-<br><br><br>79                    | <b>Z18</b><br><br><br><b>Z16</b>  | 4<br><br><br>4      | BLUEBIRD, LAUREL,<br>SILVIA<br><br>STANZA,<br>AUSTER1800,<br><br>GAZELLE  | 720/811/910, S110<br><br>C30 / 31 / 211 / 231<br><br>All                                     | IN<br><br><br>IN       | 42.0<br><br><br>38.1 | 126.5<br><br><br>126.4   | 8.0<br><br><br>8.0 | 45°<br><br><br>45° | c<br><br><br>c | 2<br><br><br>2 |         |
| 13202-W0401<br>13202-Y8780  |                                      | <b>Z20</b>  |                     | PICK UP   |  | EX                     | 38.0                 | 127.5                    | 8.0                | 45°                | c              | 2              |         |
| 13201-N8500<br>13201-N8501  | 79-<br><br>81-<br><br>81-            | <b>Z20</b><br><br><b>Z22</b><br><br><b>Z24</b>                                      | 4<br><br>4<br><br>4 | LAUREL, SKYLINE,<br>SILVIA<br><br>CARAVAN,<br>HOMY2000<br><br>DATSUN TRUCK,<br>CABSTAR2200<br><br>DATSUN<br>TRUCK.CABSTAR24<br>00 | S110,<br>C31/120/211/231<br><br>R30, E22 / 23, H40<br><br>720, H40, W40<br><br>720, H40, W40 | IN<br><br>EX<br><br>EX | 42.0<br><br>38.0     | 124.4<br><br>125.4       | 8.0<br><br>8.0     | 45°<br><br>45°     | c<br><br>c     | 2<br><br>2     |         |
| 13201-Z5000<br>13201-T9000<br>13201-T9300                               | 75-<br><br>80-<br><br>84-<br><br>77- | <b>ED6</b><br><br><b>ED33</b><br><br><b>FD33</b><br><br><b>FD6</b><br><br><b>PD</b> | 6<br><br>4<br><br>6 | GAZELLE, LEOPARD<br><br>CONDOR, BISON<br><br>BUS RM, NEW<br>CONDOR<br><br>CABALL, CIVILIAN  | CM90<br><br>H40, H341<br><br>RM80, CK86<br><br>M40, G341/W40                                 | IN<br><br>EX<br><br>EX | 47.0<br><br>38.0     | 129.5<br><br>130.0       | 9.0<br><br>9.0     | 60°<br><br>45°     | d<br><br>d     | 7<br><br>7     |         |
| 13201-01T00<br>13201-0T000<br>13202-01T00<br>13202-01D00<br>13201-17D00 |                                      | <b>FD35T</b><br><b>FD46</b>   | 6                   |   |  | IN<br><br>EX           | 48.5<br>48.5<br>39.5 | 129.5<br>128.95<br>130.0 | 9.0<br>9.0<br>9.0  | 60°<br>60°<br>45°  | d<br>d         | 2<br>2         |         |
| 13201-J2000<br>13201-J2001<br>13202-J2000<br>13202-J2001                | 73-82                                | <b>ED30</b>   | 4                   | CIVILIAN, CABALL,<br>CLIPPER  | C340/341, T40  | IN<br><br>EX           | 45.0<br>36.0         | 130.0<br>130.0           | 9.0<br>9.0         | 60°<br>45°         | d<br>d         | 7<br>7         |         |
| 13201-V0700<br>13201-W3400<br>13202-V0700<br>13202-V0701<br>13202-W3400 | 80-<br><br>81-<br><br>80-            | <b>LD20</b><br><br><b>LD28</b>  | 4<br><br>6          | BLUEBIRD, LAUREL,<br>SKYLINE<br><br>HOMY,<br>VANETTE2000<br><br>CEDRIC, GLORIA, SK<br>YLINE2800                                   | 910, C31/20/121/211<br><br>R30, E23<br><br>U11<br><br>430, C211 R30, Y30                     | IN<br><br>EX           | 39.0<br>32.0         | 117.0<br>117.2           | 8.0<br>8.0         | 45°<br>45°         | c<br>c         | 2<br>2         |         |
| 13201-95000<br>13201-95002<br>13202-95000<br>13202-95002                | 69-                                  | <b>ND6</b>  | 6                   | TRUCK   | CK10 / 15, DU780,<br>CG780 UEG780  | IN<br><br>EX           | 50.0<br>41.0         | 143.0<br>143.0           | 10.0<br>10.0       | 45°<br>45°         | d<br>d         | 7<br>7         |         |
| 13201-97008<br>13202-97014<br>13202-97016<br>13202-97068<br>13202-97009 |                                      | <b>RF8</b><br><b>RF</b><br><b>RG</b>  | 6                   | TRUCK   |  | IN<br><br>EX           | 60.0<br>52.0         | 161.0<br>161.2           | 10.0<br>12.0       | 45°<br>45°         | d<br>d         | 7<br>7         |         |

NISSAN

ENGINE VALVE

| O.E PART NO.  | YEAR           | ENGINE MODEL                    | CYL                | VEHICLE   |  | IN<br>EX               | DIMENSIONS   |  |  |  |  |  | REMARKS |
|---|----------------|---------------------------------|--------------------|---|--|------------------------|--|--|--|--|--|--|---------|
|   |                |                                 |                    | NAME  | MODEL  |                        | HD   | OL   | SD   | SA   | HS   | CG   |         |
| 13201-96008<br>13201-96009<br>13201-96500<br>13201-96501<br>13202-96005<br>13202-96006<br>13202-NC000<br>13202-96008<br>13202-96010   |                | PF6T                            | 6                  | TRUCK KG, KM,<br>KW   |  | IN                     | 57.5   | 158.5  | 12.0   | 60°  | d  | 7  |         |
|   |                |                                 |                    |   |  | EX                     | 54.0   | 157.5  | 12.0   | 45°  | d  | 7  |         |
|   |                |                                 |                    |   |  | EX                     | 54.0   | 157.5  | 12.0   | 45°  |  |  |         |
| 13201-97001<br>13201-97002<br>13201-97005<br>13201-97007<br>13202-97004<br>13202-97005  | 72-<br>75-     | RD8<br>RD10<br>ED8<br>ED10      | 8<br>10<br>8<br>10 |   |  | IN                     | 60.0   | 161.0  | 10.0   | 60°  | a  | 7  |         |
|   |                |                                 |                    |   |  | EX                     | 60.0   | 161.0  | 10.0   | 45°  | a  | 7  |         |
|   |                |                                 |                    |   |  | EX                     | 50.0   | 161.0  | 12.0   | 45°  | d  | 7  |         |
| 13201-97000<br>13201-97001<br>13201-97002<br>13201-97005<br>13201-97007<br>13201-97026<br>13202-97000<br>13202-97001<br>13202-97003<br>13202-97011<br>13202-97013<br>13202-97025<br>13202-97026<br>13202-97027  |                | RE8<br>RE10                     | 8<br>10            | TRUCK   | 'CK66, CW53, 66<br>C~ CW, WD, WG   | IN                     | 60.0   | 161.0  | 10.0   | 45°  | d  | 7  |         |
|   |                |                                 |                    |   |  | EX                     | 60.0   | 161.0  | 10.0   | 60°  | a  | 7  |         |
|   |                |                                 |                    |   |  | IN                     | 60.0   | 161.0  | 10.0   | 45°  | d  | 7  |         |
|   |                |                                 |                    |   |  | EX                     | 50.0   | 161.0  | 12.0   | 45°  | d  | 7-1  |         |
| 13201-96003<br>13201-96004<br>13201-96006<br>13201-96007<br>13201-96009<br>13201-96008<br>13201-96028<br>13201-96125<br>13201-96126<br>13201-96000<br>13201-96002<br>13201-96005<br>13201-96025<br>13201-96026<br>13201-96027<br>13201-96029<br>13202-96001<br>13202-96002<br>13202-96007<br>13202-96027<br>13202-96000<br>13202-96003<br>13202-96004<br>13202-96028<br>13202-96026 | 69-<br><br>70- | PD6(T)<br><br>PE6(T)<br><br>PA6 | 6<br><br>6         | TRUCK CD, CK CV,<br>CW, PT<br><br>PTC, PTI., TK<br>TRUCK CD, CF,<br>CK, CV<br><br>TF, LW<br>BUS: UM | CD40/41 43,<br>CK20/40<br><br>CW40, TK20, PT81<br>TF30, KK30 / 31<br><br>CK30/31, KW30,<br>CV30/31 | IN<br><br>IN<br><br>EX | 57.5<br><br>57.5<br><br>57.5<br><br>47.0<br><br>47.0<br><br>52.0 | 158.5<br><br>158.5<br><br>157.5<br><br>158.0<br><br>158.0<br><br>157.9 | 12.0<br><br>12.0<br><br>12.0<br><br>12.0<br><br>12.0<br><br>12.0 | 60°<br><br>45°<br><br>45°<br><br>45°<br><br>45°<br><br>45° | d<br><br>d<br><br>d<br><br>d<br><br>d<br><br>d | 7<br><br>7<br><br>1<br><br>7<br><br>1<br><br>2 |         |

NISSAN

ENGINE VALVE

| O.E PART NO. | YEAR | ENGINE MODEL | CYL | VEHICLE   |  | IN EX | DIMENSIONS  |                   |       |      |     |     | REMARKS |  |  |  |
|--------------|------|--------------|-----|---|--|-------|---|-------------------|-------|------|-----|-----|---------|--|--|--|
|              |      |              |     | NAME  | MODEL  |       | HD  | OL                | SD    | SA   | HS  | CG  |         |  |  |  |
| 13201-97000  | 72-  | RD8          | 8   | TRUCK CV,<br>CZ,CW,TW   | CV50, 55, 56, CW50,<br>51, 52                | IN    | 60.0  | 161.0             | 10.0  | 45°  | d   | 7   |         |  |  |  |
| 13202-97000  | 75-  | RD10<br>(T)  | 10  | BUS RA, DA,<br>TRUCK<br>WD, WG, CW<br>TRUCK CW,<br>TRACTOR CD, CW | CZ50, DA50, RA50,<br>F4<br>TW50, 51<br>CWD53 |       | EX  | 50.0              | 161.0 | 12.0 | 45° | d   | 7-1     |  |  |  |
| 13201-97010  |      | RH           | 6   |   |  | IN    | 52.0  | 164.5             | 10.0  | 45°  |     |     |         |  |  |  |
| 13202-97069  |      |              |     |   |  | EX    | 48.0  | 164.5             | 10.0  | 45°  |     |     |         |  |  |  |
| 13202-97065  |      |              |     |   |  |       |   |                   |       |      |     |     |         |  |  |  |
| 13202-97064  |      |              |     |   |  |       |   |                   |       |      |     |     |         |  |  |  |
| 13202-97019  |      |              |     |   |  |       |   |                   |       |      |     |     |         |  |  |  |
| 13201-37506  | 68-  | SD22         | 4   | JUNIR, CABALL2200   | 040/41, OC240/141                            | IN    | 38.5  | 117.0             | 8.0   | 45°  | d   | 7   |         |  |  |  |
| 13201-37503  |      | SD20         | 6   | CEDRIC DIESEL   |  |       |   |                   |       |      |     |     |         |  |  |  |
| 13201-90005  |      |              |     |   |  | EX    | 32.5  | 117.0             | 8.0   | 45°  | d   | 7   |         |  |  |  |
| 13201-Y1400  |      |              |     |   |  |       |   |                   |       |      |     |     |         |  |  |  |
| 13202-37503  |      |              |     |   |  |       |   |                   |       |      |     |     |         |  |  |  |
| 13202-76200  |      |              |     |   |  |       |   |                   |       |      |     |     |         |  |  |  |
| 13202-Z7001  |      |              |     |   |  |       |   |                   |       |      |     |     |         |  |  |  |
| 13201-37507  |      | SD22         | 4   | JUNIR, CABALL2200   |  | IN    | 38.5  | 117.0             | 8.2   | 45°  | d   | 7-1 |         |  |  |  |
| 13201-90006  |      |              |     | CEDRIC DIESEL   |  | EX    | 38.5  | 117.0             | 8.2   | 45°  | d   | 7   |         |  |  |  |
| 13202-37504  |      |              |     | 0/S. 0.2mm  |  | EX    | 32.5  | 117.0             | 8.2   | 45°  | d   | 7-1 |         |  |  |  |
| 13202-76201  |      |              |     |   |  | EX    | 32.5  | 117.0             | 8.2   | 45°  | d   | 7   |         |  |  |  |
| 13201-37508  |      | SD22         | 4   | JUNIR, CABALL2200   |  | IN    | 38.5  | 117.0             | 8.4   | 45°  | d   | 7-1 |         |  |  |  |
| 13201-90007  |      |              |     | CEDRIC DIESEL   |  | EX    | 38.5  | 117.0             | 8.4   | 45°  | d   | 7   |         |  |  |  |
| 13202-37505  |      |              |     | 0/S. 0.4mm  |  | EX    | 32.5  | 117.0             | 8.4   | 45°  | d   | 7-1 |         |  |  |  |
| 13202-76202  |      |              |     |   |  | EX    | 32.5  | 117.0             | 8.4   | 45°  | d   | 7   |         |  |  |  |
| 13201-Y5200  | 63-  | SD22         | 4   | CEDRIC, CARVAN,<br>CABALL   | 330/430/652/651/630/<br>720                  | IN    | 38.0  | 117.0             | 8.0   | 45°  | d   | 7   |         |  |  |  |
| 13202-Y5200  |      | SD23         | 4   | HOMER, JUNIOR,<br>CARVAN  | E20/21/23, C1402<br>240, F20                 | EX    | 32.0  | 117.0             | 8.0   | 45°  | d   | 7   |         |  |  |  |
| 13202-C8700  | 66-  | SD33         | 6   | DATSUN,<br>TRUCK2200  |  |       |   |                   |       |      |     |     |         |  |  |  |
| 13202-Z7002  |      |              |     | SAFAR1, ATLAS   | 160/161, C80, H40                            |       |   |                   |       |      |     |     |         |  |  |  |
| 13201-Y5201  |      | SD22         | 4   | CEDRIC, CARVAN,<br>CABALL   | 330/430/652/651/630/<br>720                  | IN    | 38.0  | 117.0             | 8.2   | 45°  | d   | 7   |         |  |  |  |
| 13202-Y5201  |      |              |     | HOMER, JUNIOR,<br>CARVAN  |  | EX    | 32.0  | 117.0             | 8.2   | 45°  | d   | 7   |         |  |  |  |
| 13202-C8701  |      |              |     | SD33  |  | 6     | DATSUN,<br>TRUCK2200<br>SPFAR1, ATLAS<br>0/S. 0.2mm | 160/161, C80, H40 |       |      |     |     |         |  |  |  |
| 13201-Y5202  |      | SD22         | 4   | CEDRIC, CARVAN,<br>CABALL   | 330/430/652/651/630/<br>720                  | IN    | 38.0  | 117.0             | 8.4   | 45°  | d   | 7   |         |  |  |  |
| 13202-Y5202  |      |              |     | HOMER, JUN10R,<br>CARVAN  |  | EX    | 32.0  | 117.0             | 8.4   | 45°  | d   | 7   |         |  |  |  |
| 13202-C8702  |      |              |     | SD33  |  | 6     | DATSUN,<br>TRUCK2200<br>SPFAR1, ATLAS<br>0/S. 0.4mm | 160/161, C80, H40 |       |      |     |     |         |  |  |  |
| 13201-L2000  | 83-  | SD23         | 4   | HOMY, DATSUN,<br>TRUCK2   | 720, E23, F22                                | IN    | 40.0  | 117.0             | 8.0   | 45°  | d   | 7   |         |  |  |  |
| 13201-02N00  |      | SD25         |     | ATLAS   | F22, H40                                     | EX    | 34.0  | 117.0             | 8.0   | 45°  | d   | 7   |         |  |  |  |
| 13202-L2000  |      | SD27         | 6   | ATLAS   |  |       |   |                   |       |      |     |     |         |  |  |  |
|              |      | TD27         |     |   |  |       |   |                   |       |      |     |     |         |  |  |  |



NISSAN

ENGINE VALVE

| O.E PART NO. | YEAR  | ENGINE MODEL | CYL | VEHICLE                       |                  | IN EX | DIMENSIONS |       |      |     |    |     | REMARKS |
|--------------|-------|--------------|-----|-------------------------------|------------------|-------|------------|-------|------|-----|----|-----|---------|
|              |       |              |     | NAME                          | MODEL            |       | HD         | OL    | SD   | SA  | HS | CG  |         |
| 13201-L2001  |       | SD23         | 4   | HOMY, DATSUN, TRUCK2          |                  | IN    | 40.0       | 117.0 | 8.2  | 45° | d  | 7   |         |
| 13202-L2001  |       | SD25         | 6   | ATLAS<br>0IS. 0.2mm<br>DIESEL |                  | EX    | 34.0       | 117.0 | 8.2  | 45° | d  | 7   |         |
| 13201-90000  | 63-74 | UD3          | 4   |                               | TC, TE T% TW     | EX    | 41.0       | 164.0 | 10.0 | 60° | d  | 2   |         |
| 13201-90004  |       | UD4          |     | TRUCK, BUS                    | U, DU, UDG, UEG, |       | 35.0       | 142.6 | 8.0  | 60° | d  | 7   |         |
| 13201-90013  |       | UD5          | 5   |                               | UG               |       |            |       |      |     |    |     |         |
| 13201-90008  | 63-73 | UD6          | 6   | DIESEL, TRUCK, BUS            | TVC, TW, TWC     | IN    |            |       |      |     |    |     |         |
| 13201-90010  |       |              |     |                               |                  | EX    |            |       |      |     |    |     |         |
| 13201-55M01  |       | CA16E        | 4   | STANZA, BLUEBIRD              | B12, N13         | IN    | 31.0       | 89.2  | 6.0  | 45° | c  | 7   |         |
| 13201-55M10  |       |              |     |                               |                  |       |            |       |      |     |    |     |         |
| 13201-64M10  | 87-   | CA16DE       | 4   | SUNNY, PULSAR                 |                  |       |            |       |      |     |    |     |         |
| 13202-64M00  |       |              |     |                               |                  |       | 28.0       | 89.3  | 6.0  | 45° | d  | 7   |         |
| 13202-64M01  |       |              |     |                               |                  |       | 30.0       | 116.0 | 7.0  | 45° | c  | 2   |         |
| 13202-64M10  |       |              |     |                               |                  | EX    |            |       |      |     |    |     |         |
| 13202-D4200  |       |              |     |                               |                  |       |            |       |      |     |    |     |         |
| 13202-D4201  |       |              |     |                               |                  |       |            |       |      |     |    |     |         |
| 13202-D4210  |       |              |     |                               |                  |       |            |       |      |     |    |     |         |
| 13201-40F00  |       | KA24E        | 4   | PRAIRIE                       |                  | IN    | 34.0       | 121.3 | 7.0  | 45° | c  | 7   |         |
| 13201-10C00  |       |              |     |                               |                  |       |            |       |      |     |    |     |         |
| 13202-40F01  |       |              |     |                               |                  | EX    | 40.0       | 122.2 | 8.0  | 45° | c  | 7-1 |         |
| 13202-40F00  |       |              |     |                               |                  |       |            |       |      |     |    |     |         |
| 13201-44G00  |       | TD25         | 4   | CONDOR                        |                  | IN    | 41.5       | 117.0 | 8.0  | 45° | d  | 7   |         |
| 13202-44G00  |       | BD30         |     |                               |                  | EX    | 37.0       | 117.0 | 8.0  | 45° | d  | 7   |         |
| 13201-02N00B |       | BD25         | 4   |                               |                  | IN    | 40.0       | 117.0 | 8.0  | 45° |    |     |         |
| 13202-87G01B |       |              |     |                               |                  | EX    | 37.0       | 117.0 | 8.0  | 45° |    |     |         |
| 13201-02N00  |       | TD23         | 4   | TRUCK CD, CV, CW, LW          |                  | IN    | 40.0       | 117.0 | 8.0  | 45° | d  | 7   |         |
| 13202-02N01  |       |              | 6   |                               |                  | EX    | 35.0       | 117.0 | 8.0  | 45° | d  | 7   |         |
| 13201-03J10  | 88-   | TB42         | 6   | PATROL Y60                    |                  | IN    | 47.0       | 118.2 | 8.0  | 45° | c  | 2   |         |
| 13202-03J00  |       |              |     |                               |                  | EX    | 24.0       | 119.0 | 8.0  | 45° | d  | 2   |         |
| 13201-12201  |       |              |     |                               |                  | IN    | 42.0       | 109.2 | 8.9  | 45° | c  | 2   |         |
| 13201-12202  |       |              |     |                               |                  |       | 42.0       | 109.2 | 9.1  | 45° | c  | 2   |         |
| 13202-12201  |       |              |     |                               |                  | EX    | 32.0       | 109.2 | 8.9  | 45° | c  | 3   |         |
| 13202-12202  |       |              |     |                               |                  |       |            |       |      |     |    |     |         |
| 13201-25500  |       |              |     |                               |                  | IN    | 46.0       | 120.7 | 8.7  | 45° | c  | 2   |         |
| 13202-25500  |       |              |     |                               |                  | EX    | 36.0       | 120.8 | 8.7  | 45° | c  | 2   |         |
| 13201-29900  |       |              |     |                               |                  | IN    | 39.0       | 115.4 | 8.0  | 45° | c  | 7   |         |
| 13202-29900  |       |              |     |                               |                  | EX    | 34.0       | 116.2 | 8.0  | 45° | d  | 2   |         |
| 13201-37500  |       |              |     |                               |                  | IN    | 38.5       | 117.0 | 8.0  | 45° | d  | 3   |         |
| 13201-37502  |       |              |     |                               |                  |       | 38.5       | 117.0 | 8.2  | 45° | d  | 3   |         |
| 13201-37503  |       |              |     |                               |                  |       | 38.5       | 117.0 | 8.4  | 45° | d  | 3   |         |
| 13202-37500  |       |              |     |                               |                  | EX    | 32.5       | 117.0 | 8.0  | 45° | d  | 3   |         |
| 13202-37501  |       |              |     |                               |                  |       | 32.5       | 117.0 | 8.2  | 45° | d  | 3   |         |
| 13202-37502  |       |              |     |                               |                  |       | 32.5       | 117.0 | 8.4  | 45° | d  | 3   |         |
| 13201-61701  |       |              |     |                               |                  | IN    | 42.0       | 109.2 | 8.9  | 45° | c  | 2   |         |
| 13201-61702  |       |              |     |                               |                  |       | 42.0       | 109.2 | 9.1  | 45° | c  | 2   |         |
| 13202-61701  |       |              |     |                               |                  | EX    | 32.0       | 109.2 | 8.9  | 45° | c  | 2   |         |
| 13202-31702  |       |              |     |                               |                  |       | 32.0       | 109.2 | 9.1  | 45° | c  | 2   |         |

**NISSAN**

**ENGINE VALVE**

| O.E PART NO. | YEAR | ENGINE MODEL  | CYL | VEHICLE        |                | IN<br>EX | DIMENSIONS |        |      |     |    |    | REMARKS |
|--------------|------|---------------|-----|----------------|----------------|----------|------------|--------|------|-----|----|----|---------|
|              |      |               |     | NAME           | MODEL          |          | HD         | OL     | SD   | SA  | HS | CG |         |
| 13201-73402  |      |               |     |                |                | IN       | 38.0       | 111.97 | 8.0  | 45° | c  | 2  |         |
| 13202-73402  |      |               |     |                |                | EX       |            |        |      |     |    |    |         |
| 13201-12900  |      |               |     |                |                | IN       | 42.0       | 109.2  | 8.7  | 45° | c  | 2  |         |
| 13201-14601  |      |               |     |                |                | IN       | 42.0       | 109.2  | 8.7  | 45° | c  | 2  |         |
| 13201-16700  |      |               |     |                |                | IN       | 37.9       | 109.5  | 8.7  | 45° | c  | 5  |         |
| 13201-E6603  |      |               |     |                |                | IN       | 43.0       | 117.2  | 8.0  | 45° | c  | 2  |         |
| 13201-Z5501  |      | <b>FE6</b>    | 6   |                |                | IN       | 48.5       | 130.6  | 9.0  | 60° | d  | 7  |         |
| 13201-Z5507  |      | <b>FE6A</b>   |     |                |                |          |            |        |      |     |    |    |         |
| 13201-Z5505  |      |               |     |                |                |          |            |        |      |     |    |    |         |
| 13202-Z5502  |      |               |     |                |                | EX       | 39.7       | 130.9  | 9.0  | 45° | d  | 7  |         |
| 13202-Z5507  |      |               |     |                |                |          |            |        |      |     |    |    |         |
| 13202-Z5506  |      |               |     |                |                |          |            |        |      |     |    |    |         |
| 13202-Z5510  |      |               |     |                |                |          |            |        |      |     |    |    |         |
| 13201-Z5508  |      | <b>FE6E</b>   | 6   |                |                | IN       | 37.0       | 145.8  | 8.0  | 45° |    |    |         |
| 13201-Z5503  |      |               |     |                |                |          |            |        |      |     |    |    |         |
| 13201-Z5506  |      |               |     |                |                |          |            |        |      |     |    |    |         |
| 13202-Z5509  |      |               |     |                |                | EX       | 37.0       | 148.8  | 8.0  | 45° |    |    |         |
| 13202-Z5504  |      |               |     |                |                |          |            |        |      |     |    |    |         |
| 13202-Z5508  |      |               |     |                |                |          |            |        |      |     |    |    |         |
| 13201-43G00  |      | <b>TD27</b>   | 4   | CONDOR, PICKUP | D21, WD21, Y60 |          |            |        |      |     |    |    |         |
| 13201-43G01  |      | <b>TD42</b>   |     | PATHFIN        |                | IN       | 43.5       | 117.0  | 8.0  | 45° | d  | 7  |         |
| 13201-43100  |      |               |     | PATHFINDER     |                |          |            |        |      |     |    |    |         |
| 13202-43G01  |      |               |     |                |                |          | 38.0       | 117.0  | 8.0  | 45° | d  | 7  |         |
| 13202-54T01  |      |               |     |                |                | EX       |            |        |      |     |    |    |         |
| 13202-54T00  |      |               |     |                |                |          |            |        |      |     |    |    |         |
| 13202-31N01  |      |               |     |                |                |          |            |        |      |     |    |    |         |
| 13201-95005  | 86-  | <b>NE6</b>    | 6   | TRUCK          |                |          |            |        |      |     |    |    |         |
| 13201-95006  |      |               |     |                |                | IN       | 52.0       | 143.0  | 10.0 | 45° | d  | 7  |         |
| 13201-95002  |      |               |     |                |                |          | 52.0       | 143.0  | 10.0 | 60° |    |    |         |
| 13201-95000  |      |               |     |                |                |          | 50.0       | 143.0  | 10.0 | 45° |    |    |         |
| 13202-95003  |      |               |     |                |                | EX       | 43.0       | 143.5  | 10.0 | 45° | d  | 7  |         |
| 13202-95002  |      |               |     |                |                |          | 41.0       | 143.0  | 10.0 | 45° |    |    |         |
| 13202-95000  |      |               |     |                |                |          |            |        |      |     |    |    |         |
| 13201-515G0  |      | <b>NF6</b>    | 6   |                |                | IN       | 52.0       | 157.60 | 10.0 | 30° |    |    |         |
| 13202-515G0  |      |               |     |                |                | EX       | 47.0       | 157.60 | 10.0 | 45° |    |    |         |
| 13201-55M01  |      | <b>CA16E</b>  | 4   | STANZA         |                | IN       | 31.0       | 89.2   | 6.0  | 45° | c  | 7  |         |
| 13202-D4201  |      |               |     | BLUEBIRD       |                |          | 28.0       | 89.3   | 6.0  | 45° | d  | 7  |         |
| 13202-D4210  |      |               |     |                |                | EX       |            |        |      |     |    |    |         |
| 13201-F6511  |      | <b>VG30DE</b> | 6   | 300ZX          |                | IN       | 34.0       | 103.2  | 6.0  | 45° | c  | 7  |         |
| 13201-30P00  |      |               |     |                |                |          |            |        |      |     |    |    |         |
| 13201-40P00  |      |               |     |                |                |          |            |        |      |     |    |    |         |
| 13202-F6511  |      |               |     |                |                | EX       | 29.6       | 103.7  | 6.0  | 45° | d  | 7  |         |
| 13202-40P00  |      |               |     |                |                |          | 29.5       | 103.7  | 6.0  | 45° | d  | 7  |         |
| 13202-1P660  |      |               |     |                |                |          |            |        |      |     |    |    |         |
| 13202-30P00  |      |               |     |                |                |          |            |        |      |     |    |    |         |
| 13201-30P00  |      | <b>VG30</b>   | 6   | 300ZX          |                | IN       | 34.1       | 103.3  | 6.0  | 45° | c  | 7  |         |
| 13202-30P00  |      |               |     | NON TURBO      |                | EX       | 29.5       | 103.7  | 6.0  | 45° | d  | 7  |         |

## NISSAN

## ENGINE VALVE

| O.E PART NO.   | YEAR | ENGINE MODEL            | CYL  | VEHICLE              |       | IN<br>EX | DIMENSIONS |            |                 |                  |     |      | REMARKS |       |       |     |    |      |       |
|--|------|-------------------------|------|----------------------|-------|----------|------------|------------|-----------------|------------------|-----|------|---------|-------|-------|-----|----|------|-------|
|  |      |                         |      | NAME                 | MODEL |          | HD         | OL         | SD              | SA               | HS  | CG   |         |       |       |     |    |      |       |
| 13201-53J00<br>13201-1E700<br>13201-1E710<br>13201-1E760                 |      | SR20DE                  | 4    | BLUE BIRD<br>PRIMERA |       | IN       | 34.0       | 101.4      | 6.0             | 45°              | c   | 7    |         |       |       |     |    |      |       |
| 13202-64Y00<br>13202-64Y02<br>13202-64Y60<br>13202-53J02                 | EX   |                         |      |                      |       |          | 30.0       | 102.3      | 6.0             | 45°              | c   | 7-1  |         |       |       |     |    |      |       |
| 13202-53J02<br>13202-53J01   |      |                         |      |                      |       |          |            | 30.0       | 102.3           | 7.0              | 45° |      |         |       |       |     |    |      |       |
| 13201-2J201<br>13201-2J200<br>13201-2J202<br>13201-2J260                 |      |                         |      |                      |       |          | EX         | 34.0       | 98.40           | 6.0              | 45° |      |         |       |       |     |    |      |       |
| 13202-2J201<br>13202-2J200<br>13202-3J600<br>13202-2J260                 |      |                         |      |                      |       |          |            | 30.0       | 99.32           | 6.0              | 45° |      |         |       |       |     |    |      |       |
| 13201-47U00<br>13201-2Y901<br>13201-2Y900<br>13201-38U00                 | EX   |                         |      |                      |       |          |            | VQ30DE     | 6               | MAXIMA<br>CEDRIC |     | IN   | 36.0    | 97.5  | 6.0   | 45° | c  | 7-1  |       |
| 13202-47U00<br>13202-AL602<br>13202-AL600<br>13202-38U00                 |      |                         |      |                      |       |          |            |            |                 |                  |     |      | 31.2    | 95.10 | 6.0   | 45° | c  | 7-1  |       |
| 13201-1W400<br>13201-1WH00<br>13202-1W400R<br>13202-6S100<br>13202-2S600 |      |                         |      |                      |       |          | EX         |            |                 |                  |     |      | QD32    | 4     | ATLAS |     | IN | 45.5 | 117.0 |
| 13201-7M610B<br>13202-7M610B   | EX   |                         |      |                      |       |          |            | 29.9       | 92.25           | 5.5              | 45° | c    |         |       |       |     |    | 7    |       |
| 13201-73Y00<br>13201-53Y00<br>13201-57Y00<br>13201-70N00<br>13201-0M600  |      |                         | 24.9 | 92.62                | 5.5   | 45°      |            | c          | 7               |                  |     |      |         |       |       |     |    |      |       |
| 13201-73Y00<br>13201-53Y00<br>13201-57Y00<br>13201-70N00<br>13201-0M600  | 90   | GA14D<br>GA15D<br>GA16D | 4    | SUNNY<br>SENTRA      |       | IN       | 29.0       | 92.2       | 5.5             | 45°              | c   | 7    |         |       |       |     |    |      |       |
| 13202-57Y00<br>13202-53Y00<br>13202-0M600                                | EX   |                         |      |                      |       |          | 30.0       | 92.3       | 5.5             | 45°              | c   | 7    |         |       |       |     |    |      |       |
| 13201-0M200<br>13202-0M200   |      |                         |      |                      |       |          |            | 24.0       | 92.6            | 5.5              | 45° | c    | 7       |       |       |     |    |      |       |
| 13201-67U00<br>13202-67U02   |      |                         |      |                      |       |          | EX         | B13/14/N14 | 38.0            | 102.0            | 7.0 | 45°  | c       | 19    |       |     |    |      |       |
| 13201-0M200<br>13202-0M200   |      |                         |      |                      |       |          |            |            | 33.0            | 102.4            | 8.0 | 45°  | c       | 7-1   |       |     |    |      |       |
| 13201-0M200<br>13202-0M200   |      |                         |      |                      |       |          |            | 4          | SENTRA B-15 1.8 |                  | IN  | 30.0 | 92.2    | 5.5   | 45°   | c   | 7  |      |       |
| 13201-67U00<br>13202-67U02   |      |                         |      |                      |       | EX       | 25.0       | 92.6       | 5.5             | 45°              | c   | 7    |         |       |       |     |    |      |       |
| 13201-67U00<br>13202-67U02   |      |                         |      |                      |       | IN       | 38.0       | 102.0      | 7.0             | 45°              | c   | 19   |         |       |       |     |    |      |       |
| 13201-67U00<br>13202-67U02   |      |                         |      |                      |       | EX       | 33.0       | 102.4      | 8.0             | 45°              | c   | 7-1  |         |       |       |     |    |      |       |

**NISSAN**

**ENGINE VALVE**

| O.E PART NO.   | YEAR | ENGINE MODEL | CYL | VEHICLE |       | IN EX | DIMENSIONS |        |     |     |      |       | REMARKS |     |     |     |   |
|----------------|------|--------------|-----|---------|-------|-------|------------|--------|-----|-----|------|-------|---------|-----|-----|-----|---|
|                |      |              |     | NAME    | MODEL |       | HD         | OL     | SD  | SA  | HS   | CG    |         |     |     |     |   |
| 13201-72Y00    |      | GA13         |     |         |       | IN    | 26.5       | 92.2   | 5.5 | 45° | c    | 7     |         |     |     |     |   |
| 13202-72Y00    |      |              | EX  | 21.5    | 92.6  | 5.5   | 45°        | c      | 7   |     |      |       |         |     |     |     |   |
| 13201-88A00    | 88   | GA14         | 4   | SUNNY   |       | IN    | 29.0       | 113.5  | 6.0 | 45° | c    | 7     |         |     |     |     |   |
| 13202-88A00    | 88   | GA16         | 4   | SENTRA  |       | EX    | 33.0       | 116.3  | 6.6 | 45° | c    | 7     |         |     |     |     |   |
| 13202-88A02    |      |              |     |         |       |       |            |        |     |     |      |       |         |     |     |     |   |
| 13202-87A00    |      |              |     |         |       |       |            |        |     |     | 32.0 | 116.2 | 6.6     | 45° | c   | 7-1 |   |
| 13201-24W00    |      |              |     | MAXIMA  |       | IN    | 40.0       | 108.1  | 8.0 | 45° | c    | 2     |         |     |     |     |   |
| A4V-9571       |      |              |     |         |       | EX    | 35.0       | 108.3  | 8.0 | 45° | c    | 2     |         |     |     |     |   |
| 13202-24W00    |      |              |     |         |       |       | A4AS-9572  |        |     |     |      |       |         |     |     |     |   |
| 13201-4P400    |      | RD28         | 4   |         |       | IN    | 39.0       | 101.75 | 7.0 | 45° | c    | 2     |         |     |     |     |   |
| 13201-40L01    |      |              |     |         |       |       |            |        |     |     |      |       |         |     |     |     |   |
| 13201-0Y000    |      |              |     |         |       |       |            |        |     |     |      |       |         |     |     |     |   |
| 13201-40201    |      |              |     |         |       |       |            |        |     | EX  | 32.0 | 101.6 | 7.0     | 45° | c   | 2   |   |
| 13202-4P400    |      |              |     |         |       |       |            |        |     |     |      |       |         |     |     |     |   |
| 13202-40L01    |      |              |     |         |       |       |            |        |     |     |      |       |         |     |     |     |   |
| 13201-37900    |      |              |     |         |       | IN    | 38.1       | 122.0  | 8.0 | 45° | c    | 2     |         |     |     |     |   |
| 13202-67G00    |      |              |     |         |       | EX    | 34.1       | 123.4  | 8.0 | 45° | c    | 2     |         |     |     |     |   |
| 13201-0T100    | 93-  | FD46         |     |         |       | IN    | 48.5       | 129.5  | 9.0 | 60° | d    | 2     |         |     |     |     |   |
| 13202-01T00    |      |              |     |         |       | EX    | 39.5       | 130.0  | 9.0 | 45° | d    | 2     |         |     |     |     |   |
| 13201-57J03    | 85-  | CD20         | 4   |         |       | IN    | 39.1       | 100.8  | 7.0 | 45° | c    | 2     |         |     |     |     |   |
| 13202-57J02    |      |              |     |         |       | EX    | 32.1       | 100.6  | 7.0 | 45° | c    | 2     |         |     |     |     |   |
| 13201-60J04    |      | CD20         | 4   |         |       | IN    | 39.0       | 99.75  | 7.0 | 45° |      |       |         |     |     |     |   |
| 13201-60J02    |      |              |     |         |       |       |            |        |     |     |      |       |         |     |     |     |   |
| 13201-60J01    |      |              |     |         |       |       |            |        |     |     |      |       |         |     |     |     |   |
| 13202-60J02    |      |              |     |         |       | EX    | 32.0       | 99.60  | 7.0 | 45° |      |       |         |     |     |     |   |
| 13202-60J01    |      |              |     |         |       |       |            |        |     |     |      |       |         |     |     |     |   |
| 13202-7J800    |      |              |     |         |       |       |            |        |     |     |      |       |         |     |     |     |   |
| 13201-VJ200    |      | KA24DE       | 4   |         |       | IN    | 36.5       | 101.32 | 7.0 | 45° |      |       |         |     |     |     |   |
| 13201-VJ260    |      |              |     |         |       |       |            |        |     |     |      |       |         |     |     |     |   |
| 13201-9E000    |      |              |     |         |       |       |            |        |     |     |      |       |         |     |     |     |   |
| 13201-53F02    |      |              |     |         |       |       |            |        |     | EX  | 31.2 | 98.82 | 7.0     | 45° |     |     |   |
| 13202-VJ200    |      | KA20DE       | 4   |         |       |       |            |        |     |     |      |       |         |     |     |     |   |
| 13202-VJ260    |      |              |     |         |       |       |            |        |     |     |      |       |         |     |     |     |   |
| 13202-9E000    |      |              |     |         |       |       |            |        |     |     |      |       |         |     |     |     |   |
| 13202-53F00    |      |              |     |         |       |       |            |        |     |     |      |       |         |     |     |     |   |
| 13201-4P410    |      | RD28         | 4   |         |       | IN    | 39.0       | 102.75 | 7.0 | 45° | c    | 2     |         |     |     |     |   |
| 13201-V7210    |      |              |     |         |       |       |            |        |     |     |      |       |         |     |     |     |   |
| 13201-V7202    |      |              |     |         |       |       |            |        |     |     | EX   | 32.0  | 102.6   | 7.0 | 45° | c   | 2 |
| 13202-4P410    |      |              |     |         |       |       |            |        |     |     |      |       |         |     |     |     |   |
| 13202-V7203    |      |              |     |         |       |       |            |        |     |     |      |       |         |     |     |     |   |
| 13202-V7202    |      |              |     |         |       |       |            |        |     |     |      |       |         |     |     |     |   |
| 13202-W5000    |      |              |     |         |       | IN    |            |        |     |     |      |       |         |     |     |     |   |
| 13202-W7000(B) |      |              |     |         |       | EX    |            |        |     |     |      |       |         |     |     |     |   |
| 13201-08000    |      |              |     |         |       | IN    | 42.1       | 125.8  | 7.0 | 45° | c    | 3     |         |     |     |     |   |
| 13202-08000    |      |              |     |         |       | EX    | 35.0       | 124.5  | 8.0 | 45° | c    | 3-1   |         |     |     |     |   |

**NISSAN**

**ENGINE VALVE**

| O.E PART NO. | YEAR | ENGINE MODEL  | CYL | VEHICLE |       | IN<br>EX | DIMENSIONS |        |      |     |    |    | REMARKS |
|--------------|------|---------------|-----|---------|-------|----------|------------|--------|------|-----|----|----|---------|
|              |      |               |     | NAME    | MODEL |          | HD         | OL     | SD   | SA  | HS | CG |         |
| 13201-9C600  |      | LD23          | 4   |         |       | IN       | 41.5       | 118    | 7.95 | 37° |    |    |         |
| 13202-9C600  |      |               |     | EX      | 30.3  | 98.9     | 7.0        | 45°    |      |     |    |    |         |
| 13201-ED000  |      | HR15/<br>16DE | 4   |         |       | IN       | 31.0       | 101.65 | 5.0  | 45° |    |    |         |
| 13201-ED50A  |      |               |     |         |       |          |            |        |      |     |    |    |         |
| 13202-ED000  |      |               |     | EX      | 25.3  | 102.46   | 5.0        | 45°    |      |     |    |    |         |
| 13202-ED50A  |      |               |     |         |       |          |            |        |      |     |    |    |         |
| 13201-3T900  |      | NA16<br>NA20  | 4   |         |       | IN       | 38.0       | 122.0  | 8.0  | 45° |    |    |         |
| 13201-27T00  |      |               |     |         |       |          |            |        |      |     |    |    |         |
| 13201-85G00  |      |               |     |         |       |          |            |        |      |     |    |    |         |
| 13202-67G00  |      |               |     | EX      | 34.0  | 123.5    | 8.0        | 45°    |      |     |    |    |         |
| 13202-3T900  |      |               |     |         |       |          |            |        |      |     |    |    |         |
| 13202-85G00  |      |               |     |         |       |          |            |        |      |     |    |    |         |
| 13201-EB70B  |      | YD25          | 4   |         |       | IN       |            |        |      |     |    |    |         |
| 13202-EB70B  |      |               |     | EX      |       |          |            |        |      |     |    |    |         |
| 13201-AD21A  |      | YD20<br>YD25D | 4   |         |       | IN       | 28.0       | 106.72 | 6.0  | 45° |    |    |         |
| 13201-AD210  |      |               |     |         |       |          |            |        |      |     |    |    |         |
| 13201-AD200  |      |               |     |         |       |          |            |        |      |     |    |    |         |
| 13202-AD20A  |      |               |     | EX      | 26.0  | 103.36   | 6.0        | 45°    |      |     |    |    |         |
| 13202-AD200  |      |               |     |         |       |          |            |        |      |     |    |    |         |
| 13201-2W20A  |      | ZD30          | 4   |         |       | IN       | 32.0       | 113.5  | 7.0  | 45° |    |    |         |
| 13201-2W201  |      |               |     |         |       |          |            |        |      |     |    |    |         |
| 13201-2W200  |      |               |     |         |       |          |            |        |      |     |    |    |         |
| 13202-2W201  |      |               |     | EX      | 30.0  | 113.45   | 7.0        | 45°    |      |     |    |    |         |
| 13202-2W200  |      |               |     |         |       |          |            |        |      |     |    |    |         |

## SUZUKI

## ENGINE VALVE

| O.E PART NO. | YEAR | ENGINE MODEL               | CYL | VEHICLE                                   |                              | IN<br>EX | DIMENSIONS |       |     |     |    |    | REMARKS |      |       |       |     |     |   |   |  |
|--------------|------|----------------------------|-----|---|------------------------------|----------|------------|-------|-----|-----|----|----|---------|------|-------|-------|-----|-----|---|---|--|
|              |      |                            |     | NAME                                      | MODEL                        |          | HD         | OL    | SD  | SA  | HS | CG |         |      |       |       |     |     |   |   |  |
| 12911-73000  | 78-  | <b>F5A</b>                 | 3   | FRONTE, ALTO,<br>CARRY                    | SS40 / 41 / 81, S120         | IN       | 31.6       | 110.0 | 7.0 | 45° | c  | 7  |         |      |       |       |     |     |   |   |  |
| 12911-73001  | 78-  | <b>F8A</b>                 | 4   | CERVO, JIMNY                              | ST40 / 41 / 80 / 90 /<br>308 |          |            |       |     |     |    |    |         |      |       |       |     |     |   |   |  |
| 12911-73002  | 83-  | <b>L J50</b>               | 3   |   | S J20 / 30 / 401             |          |            |       |     |     |    |    |         |      |       |       |     |     |   |   |  |
| 12911-73003  |      |                            |     |   | L J80 / 81                   |          |            |       |     |     |    |    |         |      |       |       |     |     |   |   |  |
| 12911-73010  |      |                            |     |   |                              |          |            |       |     |     |    |    |         |      |       |       |     |     |   |   |  |
| 12911-73011  |      |                            |     |   |                              |          |            |       |     |     |    |    |         |      |       |       |     |     |   |   |  |
| 12911-73012  |      |                            |     |   |                              |          |            |       |     |     |    |    |         |      |       |       |     |     |   |   |  |
| 12911-78100  |      |                            |     |   |                              |          |            |       |     |     |    |    |         |      |       |       |     |     |   |   |  |
| 12911-78101  |      |                            |     |   |                              |          |            |       |     |     |    |    |         |      |       |       |     |     |   |   |  |
| 12911-84000  |      |                            |     |   |                              |          |            |       |     |     |    |    |         |      |       |       |     |     |   |   |  |
| 12915-73000  |      |                            |     |   |                              |          |            |       |     |     |    |    |         | EX   | 27.6  | 109.5 | 7.0 | 45° | d | 7 |  |
| 12915-73001  |      |                            |     |   |                              |          |            |       |     |     |    |    |         |      |       |       |     |     |   |   |  |
| 12915-73002  |      |                            |     |   |                              |          |            |       |     |     |    |    |         |      |       |       |     |     |   |   |  |
| 12915-73003  |      |                            |     |   |                              |          |            |       |     |     |    |    |         |      |       |       |     |     |   |   |  |
| 12915-73005  |      |                            |     |   |                              |          |            |       |     |     |    |    |         |      |       |       |     |     |   |   |  |
| 12915-73010  |      |                            |     |   |                              |          |            |       |     |     |    |    |         |      |       |       |     |     |   |   |  |
| 12915-73011  |      |                            |     |   |                              |          |            |       |     |     |    |    |         |      |       |       |     |     |   |   |  |
| 12915-73012  |      |                            |     |   |                              |          |            |       |     |     |    |    |         |      |       |       |     |     |   |   |  |
| 12915-73100  |      |                            |     |   |                              |          |            |       |     |     |    |    |         |      |       |       |     |     |   |   |  |
| 12915-78110  |      |                            |     |   |                              |          |            |       |     |     |    |    |         |      |       |       |     |     |   |   |  |
| 12915-78111  |      |                            |     |   |                              |          |            |       |     |     |    |    |         |      |       |       |     |     |   |   |  |
| 12915-84000  |      |                            |     |   |                              |          |            |       |     |     |    |    |         |      |       |       |     |     |   |   |  |
| 12915-84010  |      |                            |     |   |                              |          |            |       |     |     |    |    |         |      |       |       |     |     |   |   |  |
| 12915-84101  |      |                            |     |   |                              |          |            |       |     |     |    |    |         |      |       |       |     |     |   |   |  |
| 12911-82000  | 83-  | <b>FA10A</b>               | 4   | JIMNY                                     | SJ40                         | IN       | 36.0       | 115.5 | 7.0 | 45° | c  | 7  |         |      |       |       |     |     |   |   |  |
| 12911-82010  |      |                            |     |   |                              | EX       | 30.0       | 114.5 | 7.0 | 45° | d  | 7  |         |      |       |       |     |     |   |   |  |
| 12915-82000  |      |                            |     |   |                              |          |            |       |     |     |    |    |         |      |       |       |     |     |   |   |  |
| 12915-82001  |      |                            |     |   |                              |          |            |       |     |     |    |    |         |      |       |       |     |     |   |   |  |
| 12915-82010  |      |                            |     |   |                              |          |            |       |     |     |    |    |         |      |       |       |     |     |   |   |  |
| 12915-82050  | 83-  | <b>G10</b>                 | 3   | CULTUS/SWIFT                              | AA41                         |          |            |       |     |     |    |    |         |      |       |       |     |     |   |   |  |
| 12915-82062  | 85-  | <b>G13A/B</b>              | 4   |   |                              |          |            |       |     |     |    |    |         |      |       |       |     |     |   |   |  |
| 12911-78101  |      | <b>F10A</b>                | 4   | JIMNY                                     |                              | IN       |            |       |     |     |    |    |         | 31.5 | 110.0 | 7.0   | 45° | c   | 7 |   |  |
| 12915-73004  |      |                            |     |   |                              | EX       |            |       |     |     |    |    |         | 27.5 | 109.5 | 7.0   | 45° | d   | 7 |   |  |
| 12911-09401  |      |                            |     |   |                              | IN       |            |       |     |     |    |    |         | 20.0 | 71.3  | 5.0   | 45° | c   | 7 |   |  |
| 12912-09401  |      |                            |     |   |                              | EX       |            |       |     |     |    |    |         | 17.0 | 70.7  | 5.0   | 45° | c   | 7 |   |  |
| 12911-45011  |      |                            |     |   |                              | IN       |            |       |     |     |    |    |         | 36.0 | 93.5  | 7.0   | 45° | c   | 7 |   |  |
| 12912-45011  |      |                            |     |   |                              | EX       |            |       |     |     |    |    |         | 30.0 | 91.7  | 7.0   | 45° | c   | 7 |   |  |
| 12911-60A10  | 86-  | <b>G16A</b><br><b>G15</b>  | 4   | SIDEKICK<br>(8 VALVES)<br>ESCUDO / VITARA | SE416                        | IN       |            |       |     |     |    |    |         | 36.6 | 115.5 | 7.0   | 45° | d   | 7 |   |  |
| 96057952     |      |                            |     |   |                              |          |            |       |     |     |    |    |         |      |       |       |     |     |   |   |  |
| 12915-60A00  |      |                            |     |   |                              | EX       | 32.5       | 114.5 | 7.0 | 45° | d  | 7  |         |      |       |       |     |     |   |   |  |
| 12915-60A50  |      |                            |     |   |                              |          |            |       |     |     |    |    |         |      |       |       |     |     |   |   |  |
| 96057953     |      |                            |     |   |                              |          |            |       |     |     |    |    |         |      |       |       |     |     |   |   |  |
| 96067994     |      |                            |     |   |                              |          |            |       |     |     |    |    |         |      |       |       |     |     |   |   |  |
| 12911-60B20  | 89-  | <b>GA13A</b><br><b>G10</b> | 4   | SWIFT                                     | AA34 / AB34                  | IN       |            |       |     |     |    |    | 35.0    | 84.0 | 5.5   | 45°   | c   | 7   |   |   |  |
| 96060053     |      |                            |     |   |                              | EX       |            |       |     |     |    |    | 28.0    | 84.0 | 5.5   | 45°   | d   | 7   |   |   |  |
| 12915-60B70  |      |                            |     |   |                              |          |            |       |     |     |    |    |         |      |       |       |     |     |   |   |  |
| 96067978     |      |                            |     |   |                              |          |            |       |     |     |    |    |         |      |       |       |     |     |   |   |  |

## SUZUKI

## ENGINE VALVE

| O.E PART NO.  | YEAR | ENGINE MODEL                 | CYL | VEHICLE                           |                  | IN EX | DIMENSIONS |        |     |     |    |    | REMARKS |
|---|------|------------------------------|-----|-----------------------------------|------------------|-------|------------|--------|-----|-----|----|----|---------|
|   |      |                              |     | NAME                              | MODEL            |       | HD         | OL     | SD  | SA  | HS | CG |         |
| 12911-71C00<br>12911-71C10<br>12911-71C20<br>12915-71C00<br>12915-71C50<br>12915-71C70      | 86-  | <b>GA16A</b><br><b>G13B</b>  | 4   | SIDEKICK<br>(16 VALVES)<br>VITARA | SF416            | IN    | 29.2       | 92.2   | 5.5 | 45° | c  | 7  |         |
|   |      |                              |     |                                   |                  | EX    | 25.0       | 79.9   | 5.5 | 45° | d  | 7  |         |
| 12911-86500-000<br>12911-86511-000<br>12915-86500-000<br>12915-86510-000<br>12915-86561-000 | 86-  | <b>G13B/A</b>                | 4   | SWIFT                             | AA33 / AB34 / 33 | IN    | 29.0       | 105.4  | 5.5 | 45° | c  | 7  |         |
|   |      |                              |     |                                   |                  | EX    | 24.0       | 104.5  | 5.5 | 45° |    |    |         |
| 12911-02A00<br>12912-02A00  |      |                              |     |                                   |                  | IN    | 22.5       | 69.6   | 5.0 | 45° | c  | 7  |         |
|   |      |                              |     |                                   |                  | EX    | 19.0       | 68.6   | 5.0 | 45° | c  | 7  |         |
| 12911-61C00<br>12911-81400<br>12915-81400   |      | <b>F6AG</b>                  | 3   | ALTO                              |                  | IN    | 25.6       | 92.2   | 5.0 | 45° | d  | 7  |         |
|   |      |                              |     |                                   |                  | EX    | 22.4       | 80.5   | 5.0 | 45° | a  | 7  |         |
| 12911-14D01<br>12912-14D01  |      |                              |     |                                   |                  | IN    | 30.5       | 93.1   | 5.0 | 45° | c  | 7  |         |
|   |      |                              |     |                                   |                  | EX    | 27.0       | 92.6   | 5.0 | 45° | c  | 7  |         |
| 12911-30A00-000<br>12911-30A02<br>12911-30A11<br>12912-30A01-000<br>12912-30A11             |      |                              |     |                                   |                  | IN    | 24.0       | 67.9   | 5.0 | 45° | c  | 7  |         |
|   |      |                              |     |                                   |                  | EX    | 27.0       | 92.6   | 5.0 | 45° | c  | 7  |         |
| 12911-30A02<br>12912-30A01  |      | <b>FB100</b>                 |     |                                   |                  | IN    | 24.0       | 67.8   | 5.0 | 45° |    |    |         |
|   |      |                              |     |                                   |                  | EX    | 21.0       | 67.2   | 5.0 | 45° |    |    |         |
| 12911-04800<br>12912-74400  |      |                              |     |                                   |                  | IN    | 30.0       | 90.4   | 5.5 | 45° | c  | 7  |         |
|   |      |                              |     |                                   |                  | EX    | 26.0       | 89.3   | 5.5 | 45° | c  | 7  |         |
| 12911-05211<br>12911-24400<br>12912-05211<br>12912-24400                                    |      | <b>GS125</b><br><b>GS150</b> |     |                                   |                  | IN    | 30.0       | 90.3   | 5.5 | 45° | c  | 7  |         |
|   |      |                              |     |                                   |                  | EX    | 26.0       | 89.3   | 5.5 | 45° | c  | 7  |         |
| 12911-38200<br>12912-38200  |      |                              |     |                                   |                  | IN    | 26.0       | 97.7   | 5.5 | 45° | c  | 7  |         |
|   |      |                              |     |                                   |                  | EX    | 22.0       | 93.6   | 5.5 | 45° | c  | 7  |         |
| 12911-78B00<br>12915-78B01  |      | <b>F6A</b>                   | 3   | ALTO                              |                  | IN    | 31.6       | 110.6  | 5.5 | 45° | c  | 7  |         |
|   |      |                              |     |                                   |                  | EX    | 27.6       | 110.0  | 5.5 | 45° | d  | 7  |         |
| 12911-30D00<br>12915-30D00  |      |                              |     |                                   |                  | IN    | 25.0       | 67.2   | 5.0 | 45° | c  | 7  |         |
|   |      |                              |     |                                   |                  | EX    | 22.0       | 66.8   | 5.0 | 45° | c  | 7  |         |
| 12911-02C00<br>12915-02C00  |      |                              |     |                                   |                  | IN    | 28.0       | 92.9   | 5.5 | 45° | c  | 7  |         |
|   |      |                              |     |                                   |                  | EX    | 25.0       | 91.1   | 5.5 | 45° | c  | 7  |         |
| 12911-19B00<br>12912-18A00  |      |                              |     |                                   |                  | IN    | 33.0       | 88.6   | 5.5 | 45° | c  | 7  |         |
|   |      |                              |     |                                   |                  | EX    | 28.0       | 87.7   | 5.5 | 45° |    |    |         |
| 12911-86FA0<br>12915-86F50  |      |                              |     |                                   |                  | IN    | 33.0       | 86.2   | 6.0 | 45° | c  | 7  |         |
|   |      |                              |     |                                   |                  | EX    | 28.0       | 86.0   | 6.0 | 45° | d  | 7  |         |
| 12911-15D01<br>12912-15D01  |      |                              |     |                                   |                  | IN    | 28.5       | 94.8   | 5.0 | 45° | c  | 7  |         |
|   |      |                              |     |                                   |                  | EX    | 25.0       | 94.5   | 5.0 | 45° | c  | 7  |         |
| 12911-70B00<br>12911-70B30<br>12912-70B00   |      |                              | 3   | DAEWOO                            |                  | IN    | 35.6       | 110.57 | 5.5 | 45° | c  | 7  |         |
|   |      |                              |     |                                   |                  | EX    | 31.8       | 110.2  | 5.5 | 45° | c  | 7  |         |

## SUBARU

## ENGINE VALVE

| O.E PART NO. | YEAR           | ENGINE MODEL | CYL            | VEHICLE                      |   | IN EX | DIMENSIONS |                      |             |                         |     |      | REMARKS |       |     |
|--------------|----------------|--------------|----------------|------------------------------|---|-------|------------|----------------------|-------------|-------------------------|-----|------|---------|-------|-----|
|              |                |              |                | NAME                         | MODEL   |       | HD         | OL                   | SD          | SA                      | HS  | CG   |         |       |     |
| 81555-8600   | 71-72          | EA62         | 4              | SUBARU1300                   | A15 / 44  | IN    | 37.0       | 109.0                | 8.0         | 45°                     | c   | 2    |         |       |     |
|              |                | EA63         | 4              | 1400                         | A22 / 62  |       | 36.0       | 108.5                | 8.0         | 45°                     | c   | 2    |         |       |     |
| 81555-8610   |                | EA64<br>EA65 |                |                              | AB / AF / AM  |       | EX         | 36.5                 | 108.5       | 8.0                     | 45° | c    |         | 2     |     |
| 81555-8620   |                |              |                |                              |   |       |            | 32.6                 | 109.0       | 8.0                     | 45° | d    |         | 2     |     |
| 31555-7000   |                |              |                |                              |   |       |            | 32.6                 | 109.3       | 8.0                     | 45° | d    |         | 7     |     |
| 31556-7000   |                |              |                |                              |   |       |            | 39.6                 | 109.0       | 8.0                     | 45° | c    |         | 2     |     |
| 41556-3400   |                |              |                |                              |   |       |            | 34.6                 | 109.0       | 8.0                     | 45° | a    |         | 2     |     |
| 41556-7100   |                |              |                |                              |   |       |            | 34.6                 | 109.0       | 8.0                     | 45° | d    |         | 2     |     |
| 81556-8600   |                |              |                |                              |   |       |            | 39.6                 | 109.0       | 8.0                     | 45° | c    |         | 7     |     |
| 81556-8610   |                |              |                |                              |   |       |            | 34.6                 | 109.3       | 8.0                     | 45° | c    |         | 7     |     |
| 81556-8800   | 34.6           | 109.3        | 8.0            | 45°                          | c   | 7     |            |                      |             |                         |     |      |         |       |     |
| 31555-7010   | 71-78<br>73-79 | EA63         | 4              | LEONE1200 / 1300 / 1400      | A22 / 24 / 25 / 32 / 33                                 | IN    | 36.5       | 108.5                | 8.0         | 45°                     | c   | 7    |         |       |     |
|              |                | EA64         | 4              |                              | A62 / 64 / 65   |       | EX         | 32.6                 | 109.0       | 8.0                     | 45° | d    |         | 7     |     |
|              |                | EA65         |                |                              |   |       |            | AFI, AH1, AM1/2, AB1 | 32.6        | 109.3                   | 8.0 | 45°  |         | d     | 7   |
| 41556-3410   | 79-            | EA65         | 4              |                              |   | EX    | 32.6       | 109.3                | 8.0         | 45°                     | d   | 7    |         |       |     |
| 41556-7110   |                |              |                |                              |   |       | 32.6       | 109.3                | 8.0         | 45°                     | d   | 7    |         |       |     |
| 31555-4300   | 76-77          | FA71         | 4              | SUBARU,<br>LEONE1600         | AC / AF / AG / AN /<br>AW                               | IN    | 39.6       | 109.0                | 8.0         | 45°                     | c   | 2    |         |       |     |
| 31556-4300   |                |              |                |                              |   |       | 34.6       | 109.0                | 8.0         | 45°                     | a   | 2    |         |       |     |
| 41556-3200   |                |              |                |                              |   |       | EX         | 34.6                 | 109.0       | 8.0                     | 45° | d    |         | 2     |     |
| 41556-7000   |                |              |                |                              |   |       |            | 39.6                 | 109.0       | 8.0                     | 45° | c    |         | 7     |     |
| 41556-7010   |                |              |                |                              |   |       |            | 34.6                 | 109.3       | 8.0                     | 45° | c    |         | 7     |     |
| 31555-4310   | 75-            | EA71         | 4              | LEONE1600, 1800<br>BRAT      | A26 / 27 / 33 / 34 / 66<br>A67 / 69, AB2 / 3 / 4 /<br>- | IN    | 39.6       | 109.0                | 8.0         | 45°                     | c   | 7    |         |       |     |
| 41556-3220   |                |              |                |                              |   |       | EX         | 34.6                 | 109.3       | 8.0                     | 45° | c    |         | 7     |     |
| 41556-4310   |                |              |                |                              |   |       |            | AF2 3/5, AM2/3/4/5   | 39.6        | 109.0                   | 8.0 | 45°  |         | c     | 7   |
| 41556-7020   |                |              |                |                              |   |       |            | 34.6                 | 109.3       | 8.0                     | 45° | c    |         | 7     |     |
| 41555-7000   |                | EA81         | 4              |                              | AJ5. AW2  | IN    | 41.4       | 109.6                | 8.0         | 45°                     | c   | 7    |         |       |     |
| 41555-7100   |                |              |                |                              |   |       | EX         | 35.2                 | 109.5       | 8.0                     | 45° | c    |         | 7     |     |
| 13201-AA240  |                |              |                |                              |   |       |            | 39.6                 | 109.0       | 8.0                     | 45° | c    |         | 7     |     |
| 49715-5500   |                |              |                |                              |   |       |            | 34.6                 | 109.3       | 8.0                     | 45° | c    |         | 7     |     |
| 41556-7200   |                |              |                |                              |   |       | 39.6       | 109.0                | 8.0         | 45°                     | c   | 7    |         |       |     |
| 41556-7210   |                |              |                |                              |   | 34.6  | 109.3      | 8.0                  | 45°         | c                       | 7   |      |         |       |     |
| 41556-7300   |                |              |                |                              |   | 39.6  | 109.0      | 8.0                  | 45°         | c                       | 7   |      |         |       |     |
| 41556-7310   |                |              |                |                              |   | 34.6  | 109.3      | 8.0                  | 45°         | c                       | 7   |      |         |       |     |
| 13202-AA240  |                |              |                |                              |   | 39.6  | 109.0      | 8.0                  | 45°         | c                       | 7   |      |         |       |     |
| 41555-5400   |                |              |                |                              |   | 77-   | EK23       | 2                    | REX500, 550 | K23 / 24 / 43 / 44 / 75 | IN  | 35.0 |         | 111.0 | 7.0 |
| 41555-5410   | EK22           | 2            | SAMBER500, 550 | K76 / 77 / 78 / 85 / 87 / 88 | 30.0  |       | 111.3      | 7.0                  | 45°         | c                       |     | 5    |         |       |     |
| 41556-5400   | 83-            | EF10         | 3              | DOMINGO                      | K J5 / 6  |       | EX         | 35.5                 | 108.0       | 7.0                     |     | 45°  | c       | 7     |     |
| 41556-5410   |                |              |                |                              |   | 35.5  |            | 107.5                | 7.0         | 45°                     | c   | 5    |         |       |     |
| 41556-5500   | 35.5           | 107.5        | 7.0            | 45°                          | c   | 5     |            |                      |             |                         |     |      |         |       |     |
| 13201-AA001  | 85-            | EA82         | 4              | LEONE1600, 1800              |   | IN    | 42.0       | 107.5                | 7.0         | 45°                     | c   | 5    |         |       |     |
| 41556-AA002  |                |              |                |                              |   |       | EX         | 35.5                 | 108.0       | 7.0                     | 45° | c    |         | 7     |     |
| 13202-AA021  |                |              |                |                              |   |       |            | 35.5                 | 107.5       | 7.0                     | 45° | c    |         | 5     |     |
| 13202-AA022  |                |              |                |                              |   | EX    | 35.5       | 107.5                | 7.0         | 45°                     | c   | 5    |         |       |     |
| 13202-AA001  |                |              |                |                              |   |       | 35.5       | 107.5                | 7.0         | 45°                     | c   | 5    |         |       |     |
| 13202-AA002  |                |              |                |                              |   |       | 35.5       | 107.5                | 7.0         | 45°                     | c   | 5    |         |       |     |
| 13202-AA011  | 35.5           | 107.5        | 7.0            | 45°                          | c   | 5     |            |                      |             |                         |     |      |         |       |     |
| 13202-AA012  | 35.5           | 107.5        | 7.0            | 45°                          | c   | 5     |            |                      |             |                         |     |      |         |       |     |



## SUBARU

## ENGINE VALVE

| O.E PART NO.   | YEAR | ENGINE MODEL | CYL | VEHICLE |       | IN EX | DIMENSIONS |       |     |     |    |    | REMARKS |
|--|------|--------------|-----|---------|-------|-------|------------|-------|-----|-----|----|----|---------|
|  |      |              |     | NAME    | MODEL |       | HD         | OL    | SD  | SA  | HS | CG |         |
| 13201-KA001  |      |              |     |         |       | IN    | 29.0       | 108.3 | 7.0 | 45° | c  | 7  |         |
| 13201-KA002  |      |              |     |         |       |       |            |       |     |     |    |    |         |
| 13201-KA062  |      |              |     |         |       |       |            |       |     |     |    |    |         |
| 13201-KA120  |      |              |     |         |       |       |            |       |     |     |    |    |         |
| 13201-KA121  |      |              |     |         |       |       |            |       |     |     |    |    |         |
| 13202-KA002  |      |              |     |         |       | EX    | 33.0       | 108.7 | 7.0 | 45° | c  | 7  |         |
| 13202-KA031  |      |              |     |         |       |       |            |       |     |     |    |    |         |
| 13202-KA032  |      |              |     |         |       |       |            |       |     |     |    |    |         |
| 13202-KA181  |      |              |     |         |       |       |            |       |     |     |    |    |         |
| 41555-1000   |      |              |     |         |       | IN    | 32.0       | 105.0 | 8.0 | 45° | c  | 2  |         |
| 41556-1000   |      |              |     |         |       | EX    | 30.0       | 110.3 | 7.0 | 45° | c  | 5  |         |
| 81555-4100   |      |              |     |         |       | IN    | 32.0       | 105.0 | 8.0 | 45° | c  | 2  |         |
| 81556-4100   |      |              |     |         |       | EX    | 27.6       | 105.0 | 8.0 | 45° | c  | 2  |         |
| 13202-AA110  |      | EJ22         |     |         |       | EX    | 28.0       | 101.2 | 6.0 | 45° | c  | 7  |         |
| 13202-AA112  |      |              |     |         |       |       |            |       |     |     |    |    |         |
| 13202-AA171  |      |              |     |         |       |       |            |       |     |     |    |    |         |
| 81556-4800   |      |              |     |         |       | EX    | 27.6       | 105.0 | 8.0 | 45° | d  | 2  |         |
| 81556-6200   |      |              |     |         |       |       |            |       |     |     |    |    |         |
| 13201-AA070  |      | EJ18         | 4   | LEGACY  |       | IN    | 31.0       | 101.0 | 6.0 | 45° | c  | 7  |         |
| 13201-AA071  |      |              |     |         |       |       |            |       |     |     |    |    |         |
| 13201-AA072  |      |              |     |         |       |       |            |       |     |     |    |    |         |
| 13201-AA180  |      |              |     |         |       |       |            |       |     |     |    |    |         |
| 13202-AA160<br>(13202-AA161)<br>(13202-AA101)<br>(13202-AA102) |      |              |     |         |       |       |            |       |     |     |    |    |         |
| 13201-AA080  |      | EJ22         | 4   | LEGACY  |       | IN    | 32.5       | 101.0 | 6.0 | 45° | c  | 7  |         |
| 13201-AA082  |      |              |     |         |       |       |            |       |     |     |    |    |         |
| 13201-AA190  |      |              |     |         |       |       |            |       |     |     |    |    |         |
| 13202-AA110<br>(13202-AA112)<br>(13202-AA171)                  |      |              |     |         |       |       |            |       |     |     |    |    |         |
| 13201-KA111  |      | EF10         | 3   | JUSTY   | KA/KJ | IN    | 36.0       | 111.0 | 7.0 | 45° | c  | 5  |         |
| (13201-KA110)  |      | EF12         | 3   | DOMINGO |       |       |            |       |     |     |    |    |         |
| 13202-KA161  |      |              |     |         |       | EX    | 30.0       | 110.6 | 7.0 | 45° | c  | 5  |         |
| (13202-KA160)  |      |              |     |         |       |       |            |       |     |     |    |    |         |
| 13201-AA250  |      |              | 4   | LEGACY  |       | IN    | 36         | 93.5  | 6.0 | 45° | c  | 7  |         |
| (13201-AA251)  |      |              |     |         |       |       |            |       |     |     |    |    |         |
| 13202-AA270  | 89-  | EJ20         |     |         |       | EX    | 32.0       | 94.1  | 6.0 | 45° | c  | 7  |         |
| (13202-AA271)<br>(13202-AA272)                                 |      |              |     |         |       |       |            |       |     |     |    |    |         |

TOYOTA

ENGINE VALVE

| O.E PART NO.               | YEAR | ENGINE MODEL | CYL   | VEHICLE  |   | IN<br>EX          | DIMENSIONS |       |       |       |     |     | REMARKS |  |
|----------------------------|------|--------------|-------|--|---|-------------------|------------|-------|-------|-------|-----|-----|---------|--|
|                            |      |              |       | NAME   | MODEL   |                   | HD         | OL    | SD    | SA    | HS  | CG  |         |  |
| 13711-15010                | 78~  | 3A<br>4A     | 4     | CARINA1500 / 1600,                               | AA60 / 63   | IN                | 36.0       | 107.0 | 7.0   | 45°   | c   | 3   |         |  |
| 13711-15030                | 80~  |              | 4     | TERCEL1300/1500,<br>CELICA1600                   | AT140 / 150 / 160 / 170   | IN                | 36.0       | 107.0 | 7.0   | 45°   | d   | 6   |         |  |
| 13711-15010                | 83~  |              | 4     | CORSA1300/1500,<br>CORONA1600                    | AE70-72 / 80-86 / 90/<br>100  | EX                | 31.0       | 107.0 | 7.0   | 45°   | d   | 3   |         |  |
| 13715-15030                |      |              | 4     | COLOLLA1300 / 1500 / 1600<br>SPRINTER1500 / 1600 | AL10/11/12/21/22/15/2<br>0  | EX                |            |       |       |       |     |     |         |  |
| 13711-01010                |      | 2A           | 4     | CORSA, TERCEL                                    |   | IN                | 36.0       | 106.9 | 7.0   | 45°   | c   | 6   |         |  |
| 13715-01010                |      | 3A<br>4A     | 4     | CORLLA, CARINA<br>SPRINTER. CORONA               |   | EX                | 31.0       | 106.8 | 7.0   | 45°   | a   | 6   |         |  |
| 13711-16010                |      | 4AG          | 4     | COROLLA,<br>SPRINTER                             |   | IN                | 30.5       | 99.6  | 6.0   | 45°   | c   | 7   |         |  |
| 13715-16010                |      |              |       |  |   | EX                | 25.6       | 99.7  | 6.0   | 45°   | d   | 7   |         |  |
| 13711-56010                | 72-  | B            | 4     | LANDCRUISER, COASTER,<br>TOYOACE, DYNA           | BJ10/43, BK30, BY31<br>BU10/12/15/19/20/22/3<br>0/35                                | IN                | 45.0       | 128.1 | 9.0   | 45°   | d   | 3   |         |  |
| 13715-56010                |      |              |       |  |   | EV20 / 30 / B J4# | EX         | 37.5  | 127.9 | 9.0   | 45° | d   | 3       |  |
| 13711-56020                | 77-  | B<br>2B      | 4     | LANDCRUISER, COASTER,<br>TOYOACE<br>DYNA         | B<br>J40/41/43/44/60,BY31<br>BU10/12/15/19/ 20/ 22/<br>30/31/35/36<br>BK30, BB10/11 | IN                | 45.0       | 128.0 | 9.0   | 45°   | d   | 7   |         |  |
| 13715-56020                |      |              | 77-82 |  |   |                   | EX         | 37.5  | 127.7 | 9.0   | 45° | d   | 7       |  |
| 13715-56031                |      |              |       |  |   |                   |            |       |       |       |     |     |         |  |
| 13711-56050                |      | B            | 4     |  |   | IN                | 45.0       | 126.5 | 9.0   | 45°   |     |     |         |  |
| 13711-56032                |      | 2B           |       |  |   | EX                | 37.5       | 126.5 | 9.0   | 45°   |     |     |         |  |
| 13715-56050<br>13715-56033 |      |              |       |  |   |                   |            |       |       |       |     |     |         |  |
| 13711-56060                |      | 11B          | 4     | NEW  |   | IN                | 44.0       | 126.5 | 9.0   | 45°   | d   | 7   |         |  |
| 13715-56060                |      |              |       |  |   |                   | EX         | 36.5  | 126.5 | 9.0   | 45° | d   | 7       |  |
| 13711-58010                | 81-  | 3B<br>4B     | 4     | LANDCRUISER,<br>DYNALANDCRUISER                  | B J46 / 60, BU23,<br>BB20/31  | IN                | 46.0       | 128.0 | 9.0   | 45°   | d   | 7   |         |  |
| 13711-56034                |      |              |       |  |   |                   | EX         | 41.0  | 128.0 | 9.0   | 45° | d   | 7       |  |
| 13715-58010                |      | 85-          | 13B   |  |   |                   |            |       |       |       |     |     |         |  |
| 13715-56035                |      |              |       |  |   | COASTER           |            |       |       |       |     |     |         |  |
| 13711-58010                | 84-  | 13B          | 4     | DYNA   | BU60 8#/9#  | IN                | 46.0       | 128.0 | 9.0   | 45°   | d   | 7   |         |  |
| 13715-58020                |      |              |       |  |   |                   | EX         | 38.5  | 127.9 | 9.0   | 45° | d   | 7       |  |
| 13715-58021                |      |              |       |  |   |                   |            |       |       |       |     |     |         |  |
| 13711-58021                |      | 14B          | 4     | DYNA<br>LAND CRUISER                             |   | IN                | 46.0       | 126.5 | 9.0   | 45°   | d   | 7   |         |  |
| 13711-56036                |      |              |       |  |   |                   | EX         | 38.5  | 126.5 | 9.0   | 45° | d   | 7       |  |
| 13715-58040                |      |              |       |  |   |                   |            |       |       |       |     |     |         |  |
| 13715-56037                |      |              |       |  |   |                   |            |       |       |       |     |     |         |  |
| 13711-56038                |      | 14B(T)       | 4     |  |   | IN                | 46.0       | 126.5 | 9.0   | 45°   |     |     |         |  |
| 13711-58021                |      |              |       |  |   |                   |            |       |       |       |     |     |         |  |
| 13711-58050                |      |              |       |  |   |                   |            |       |       |       |     |     |         |  |
| 13711-58020                |      |              |       |  |   |                   |            |       |       |       |     |     |         |  |
| 13715-56039                |      |              |       |  |   |                   |            | EX    | 38.5  | 128.0 | 9.0 | 45° |         |  |
| 13715-58020                |      |              |       |  |   |                   |            |       |       |       |     |     |         |  |
| 13715-58021                |      |              |       |  |   |                   |            |       |       |       |     |     |         |  |
| 13715-58030                |      |              |       |  |   |                   |            |       |       |       |     |     |         |  |

**TOYOTA**

**ENGINE VALVE**

| O.E PART NO. | YEAR  | ENGINE MODEL | CYL | VEHICLE                               |                                | IN<br>EX         | DIMENSIONS |       |       |     |     |    | REMARKS |
|--------------|-------|--------------|-----|---------------------------------------|--------------------------------|------------------|------------|-------|-------|-----|-----|----|---------|
|              |       |              |     | NAME                                  | MODEL                          |                  | HD         | OL    | SD    | SA  | HS  | CG |         |
| 13711-64010  | 81-   | <b>1C</b>    | 4   | CAMRY1800, VISTA1800,<br>SPRINTER1800 | CV10 12, CA67,<br>CM25         | IN               | 38.5       | 106.5 | 8.0   | 45° | d   | 7  |         |
| 13715-64010  |       |              |     |                                       | COROLLA1800,<br>CORONA1800     | CE70 71/80/81/82 |            | 32.5  | 106.5 | 8.0 | 45° | d  | 7       |
| 13715-64020  | 83-   | <b>2C</b>    | 4   | TOWNACE 1800 / 2000                   | CT140 / 147, CR21 /<br>26      | EX               |            |       |       |     |     |    |         |
| 13715-64021  |       |              |     |                                       | CT150 / 160                    |                  |            |       |       |     |     |    |         |
| 13711-64011  | 85-   | <b>2C</b>    | 4   | CORONA1800, CARINA1800                | CE95, CT170                    | IN               | 38.5       | 105   | 8     | 45° | d   | 7  |         |
| 13711-64020  |       |              |     |                                       |                                |                  | 38.6       | 105.7 | 8     | 45° | d   | 7  |         |
| 13715-64012  |       |              |     | COROLLA1800,<br>SPRINTER1800          |                                |                  |            |       |       |     |     |    |         |
| 13715-64030  |       | <b>3C</b>    | 4   | TOWNACE1800 / 2000                    |                                | EX               | 32.5       | 105.3 | 8     | 45° | d   | 7  |         |
| 13715-64040  |       |              |     |                                       |                                |                  |            |       |       |     |     |    |         |
| 13711-76010  | 59-74 | <b>D</b>     | 6   | TRUCK DA, BUS DR                      | DA11, DR10/11                  | IN               | 47.0       | 161.1 | 10.0  | 45° | d   | 8  |         |
| 13715-76010  |       |              |     |                                       |                                | EX               | 43.0       | 161.6 | 10.0  | 45° | d   | 8  |         |
| 13711-76011  | 59-   | <b>2D</b>    | 6   | TRUCK DA/DC, BUS DB/DR                | DR10/11/15/115, DC80           | IN               |            |       |       |     |     |    |         |
| 13711-76012  |       |              |     | FORK LIFT, TRACTOR                    | DA80/90/95/100/110/11<br>5/116 |                  | 47.0       | 161.5 | 10.0  | 45° | d   | 3  |         |
| 13711-76013  |       |              |     | SHOVEL ROADER                         | DB90/92/95/100/102/10<br>5     |                  |            |       |       |     |     |    |         |
| 13715-76011  |       |              |     |                                       | FD60/100,<br>SD2300/2500,      |                  | 43.0       | 161.5 | 10.0  | 45° | d   | 3  |         |
| 13715-76012  |       |              |     |                                       | SDT35                          | EX               |            |       |       |     |     |    |         |
| 13715-76013  |       |              |     |                                       |                                |                  |            |       |       |     |     |    |         |
| 13715-76014  |       |              |     |                                       |                                |                  |            |       |       |     |     |    |         |
| 13711-77010  | 59-   | <b>2D</b>    | 6   | TRUCK DA/DC, BUS DB/DR                | DB90/92/95/100/102/10<br>5     | IN               | 47.0       | 158.5 | 10.0  | 45° | d   | 3  |         |
| 13715-77010  |       |              |     | OTHER MACHINE                         | DR10/11 / 15, FD100,<br>SDT35  | EX               | 43.0       | 158.5 | 10.0  | 45° | d   | 3  |         |
| 13711-77011  | 59-   | <b>2D</b>    | 6   | TRUCK                                 | DA11,12                        | IN               | 47.0       | 158.5 | 10.0  | 45° | d   | 7  |         |
| 13715-77011  |       |              |     | BUS                                   |                                | EX               | 43.0       | 158.5 | 10.0  | 45° | d   | 7  |         |
| 13711-10020  | 84-   | <b>1E</b>    | 4   | COROLLA TRUENO                        | EE80                           | IN               | 30.0       | 92.3  | 6.0   | 45° | c   | 7  |         |
| 13712-10010  |       | <b>2E</b>    |     | STARLET                               | EP7                            |                  | 21.0       | 98.6  | 6.0   | 45° | d   | 7  |         |
| 13715-10030  |       |              |     | TARCEL                                | EL31 /42, EE90                 | EX               | 31.0       | 92.3  | 6.0   |     | d   | 7  |         |
| 13711-60010  | 54-   | <b>F</b>     | 6   | LAND CRUISER                          | FA95. FC100, FW10              | IN               | 44.0       | 152.5 | 8.0   | 45° | c   | 7  |         |
| 13715-60010  |       |              |     | TRUCK, BUS                            |                                | EX               | 37.5       | 121.0 | 8.0   | 45° | d   | 1  |         |
| 13711-60011  | 60-   | <b>F</b>     | 6   | LAND CRUISER                          | FG35, FJ43                     | IN               | 44.0       | 152.6 | 8.0   | 45° | c   | 10 |         |
| 13715-60011  |       |              |     | TRUCK, BUS                            |                                | EX               | 37.5       | 121.1 | 8.0   | 45° | d   | 10 |         |
| 13715-60012  |       |              |     |                                       |                                |                  |            |       |       |     |     |    |         |
| 13711-60020  | 65-   | <b>F</b>     | 6   | BUS, LAND CRUISER,<br>TRUCK.          | FS45                           | IN               | 46.0       | 125.0 | 8.0   | 45° | c   | 3  |         |
| 13715-60031  |       |              |     | MASSY, DYNA, FORK LIFT,<br>TRACTOR    | FJ40 / 43 / 45 / 55/ 56/<br>60 | EX               | 37.5       | 125.1 | 8.0   | 45° | d   | 10 |         |
| 13715-60020  |       |              |     |                                       | FB100, FA100 / 110 /<br>115    |                  | 37.5       | 125.0 | 8.0   | 45° | c   | 3  |         |
| 13711-60021  | 74-   | <b>2F</b>    | 6   | TRUCK                                 | FJ56/60/61,<br>FA101,FC22      | IN               | 46.0       | 125.0 | 8.0   | 45° | c   | 11 |         |
| 13711-61010  |       | <b>3F</b>    |     | LANDCRUISER                           | FJ40/43/45/55/70/80            |                  |            |       |       |     |     |    |         |
| 13711-61020  |       |              |     |                                       |                                | EX               | 37.5       | 128.0 | 8.0   | 45° |     |    |         |
| 13715-61020  |       |              |     |                                       |                                |                  |            |       |       |     |     |    |         |
| 13715-61040  |       |              |     |                                       |                                |                  |            |       |       |     |     |    |         |
| 13715-60032  |       |              |     |                                       |                                |                  | 37.5       | 125.0 | 8.0   | 45° | c   | 11 |         |
| 13715-61010  |       |              |     |                                       |                                |                  |            |       |       |     |     |    |         |
| 13715-61030  |       |              |     |                                       |                                |                  |            |       |       |     |     |    |         |

**TOYOTA**

**ENGINE VALVE**

| O.E PART NO. | YEAR  | ENGINE MODEL | CYL | VEHICLE  |   | IN<br>EX  | DIMENSIONS |                        |       |     |     |    | REMARKS |  |  |
|--------------|-------|--------------|-----|--|---|-----------|------------|------------------------|-------|-----|-----|----|---------|--|--|
|              |       |              |     | NAME   | MODEL   |           | HD         | OL                     | SD    | SA  | HS  | CG |         |  |  |
| 13711-61020  | 82-   | <b>2F</b>    | 6   | LANDCRUISER  | FJ7 / 40  | IN        | 46.0       | 125.0                  | 8.0   | 45° | c   | 11 |         |  |  |
| 13715-61030  | 84-   | <b>3F</b>    | 6   |  |   | EX        | 37.5       | 125.0                  | 8.0   | 45° | c   | 11 |         |  |  |
| 13715-61020  | 82-   | <b>4F</b>    |     |  |   |           | 37.5       | 127.9                  | 8.0   | 45° | c   | 3  |         |  |  |
| 13715-61040  |       |              |     |  |   |           |            |                        |       |     |     |    |         |  |  |
| 13711-70010  | 80-   | <b>1G</b>    | 6   | CELICA2000, CROWN2000,<br>SOARER2000, MARKII2000,<br>CHASER2000, CRESTA2000<br>CRESSIDA            | GA61, GS110/111 /<br>126<br>GZ10, GX50/51/60/61<br>GL16, GA60, GX70,<br>80                      | IN        | 36.0       | 109.5                  | 7.0   | 45° | c   | 6  |         |  |  |
| 13711-70020  |       |              |     |  |   | EX        | 31.0       | 109.5                  | 7.0   | 45° | d   | 6  |         |  |  |
| 13715-70010  |       |              |     |  |   |           |            |                        |       |     |     |    |         |  |  |
| 13715-70020  |       |              |     |  |   |           |            |                        |       |     |     |    |         |  |  |
| 13711-70030  |       | <b>1G-G</b>  | 6   |  |   | IN        | 28.0       | 94.2                   | 6.0   | 45° |     |    |         |  |  |
| 13715-70030  | EX    |              |     |  |   | 23.5      | 94.2       | 6.0                    | 45°   |     |     |    |         |  |  |
| 13711-32040  |       | <b>1GZ</b>   | 6   |  |   | IN        | 30.0       | 91.7                   | 5.5   | 45° |     |    |         |  |  |
| 13715-32040  | EX    |              |     |  |   | 24.5      | 91.5       | 5.5                    | 45°   |     |     |    |         |  |  |
| 13711-68010  | 69-   | <b>H</b>     | 6   | DYNA, FORK LIFT,<br>LANDCRUISER, COASTER,  | HU15/30, FD35,<br>HB3H<br>H J60 / 47 / 75,<br>HU40/59   | IN        | 42.0       | 120.8                  | 9.0   | 45° | d   | 7  |         |  |  |
| 13715-68010  | 79-   |              |     |  |   | <b>2H</b> | EX         | 35.0                   | 120.8 | 9.0 | 45° | d  | 7       |  |  |
| 13711-46010  | 65-70 | <b>J</b>     | 4   | BUS, DYNA ROUTE, FORK,<br>TRACTOR COASTER,<br>TOYOACE,<br>SHOVEL                                   | JK170/171, TD17,<br>JY16<br>JU10/12/15/18/30,<br>SDK8<br>SD72J, FD28                            | IN        | 40.5       | 120.5                  | 9.0   | 45° | d   | 10 |         |  |  |
| 13711-46013  |       |              |     |  |   |           |            |                        |       |     |     |    |         |  |  |
| 13715-46010  | 68-   | <b>2J</b>    | 4   |  |   | EX        | 33.5       | 120.5                  | 9.0   | 45° | d   | 3  |         |  |  |
| 13715-46011  |       |              |     |  |   |           |            |                        |       |     |     |    |         |  |  |
| 13715-46012  |       |              |     |  |   |           |            |                        |       |     |     |    |         |  |  |
| 13715-46013  |       |              |     |  |   |           |            |                        |       |     |     |    |         |  |  |
| 13711-48010  | 81-   | <b>2J</b>    | 4   | TOYOACE, DYNA,<br>COASTER  | JU16 / 30   | IN        | 40.5       | 120.7                  | 9.0   | 45° | d   | 7  |         |  |  |
| 13711-48011  |       |              |     |  |   |           |            |                        |       |     |     |    |         |  |  |
| 13715-48010  |       |              |     |  |   | EX        | 33.5       | 120.7                  | 9.0   | 45° | d   | 7  |         |  |  |
| 13711-22010  | 66-69 | <b>K</b>     | 4   | PUBLICA, COROLLA<br>STARLET  | KP30, KP45, KE10  | IN        | 34.0       | 100.2                  | 8.0   | 45° | c   | 10 |         |  |  |
| 13715-22010  |       |              |     |  |   | EX        | 28.0       | 99.9                   | 8.0   | 45° | d   | 10 |         |  |  |
| 13711-22011  | 66-   | <b>K</b>     | 4   | COROLLA<br>PUBLICA<br>STARLET  | KE15, 16  | IN        | 34.0       | 99.8                   | 8.0   | 45° | c   | 3  |         |  |  |
| 13715-22011  |       |              |     |  |   | EX        | 28.0       | 100.2                  | 8.0   | 45° | d   | 3  |         |  |  |
| 13711-24010  | 69-76 | <b>2K</b>    | 4   | STARLET1000/1200, LITEACE<br>PUBLICA1000/1200,<br>TOWNACE<br>COROLLA1200,<br>SPRINTER1200<br>HILUX | KP<br>10/30/31/36/37/38/40<br>KE11/17/18/20/25/30<br>KE36/40/45/46, KM10<br>KP42/45/47/50/51/62 | IN        | 36.0       | 100.0                  | 8.0   | 45° | c   | 10 |         |  |  |
| 13711-24020  |       |              |     |  |   |           |            |                        |       |     |     |    |         |  |  |
| 13711-24021  |       |              |     |  |   |           |            |                        |       |     |     |    |         |  |  |
| 13715-24010  | 69-77 | <b>3K</b>    | 4   |  |   | EX        | 29.0       | 100.0                  | 8.0   | 45° | d   | 10 |         |  |  |
| 13715-24011  |       |              |     |  |   |           |            |                        |       |     |     |    |         |  |  |
| 13711-24011  | 69-77 | <b>3K</b>    | 4   | COROLLA1200 / 1300,<br>CARINA1500, SPRINTER1200  | KE11/17/18/ 20/ 25/ 26/<br>30/36/40/45/50/55/60/6<br>5  | IN        | 36.0       | 100.0                  | 8.0   | 45° | c   | 3  |         |  |  |
| 13711-24012  |       |              |     |  |   |           |            |                        |       |     |     |    |         |  |  |
| 13715-24012  | 78-   | <b>4K</b>    | 4   | /1300, LITEACE   | /70/71/72/73  | EX        | 29.0       | 100.0                  | 8.0   | 45° | d   | 3  |         |  |  |
| 13715-24013  | 83-   |              | 4   | STARLET1200/1300,  | KM10/11/ 20/ 21   |           | 29.0       | 100.0                  | 8.0   | 45° | d   | 6  |         |  |  |
| 13715-24030  |       | <b>5K</b>    | 4   | PUBLICA 1200<br>TOWNACE, HILUX   | KP10/ 31/ 36/ 37/ 38/<br>42/<br>47 /50/51/61/62,<br>KP11/12                                     |           |            |                        |       |     |     |    |         |  |  |
| 13715-24031  | 83-   |              |     |  |   |           | TAMARAW    | KA67, KFI#/ 2#/ 4#/ 5# |       |     |     |    |         |  |  |

## TOYOTA

## ENGINE VALVE

| O.E PART NO.  | YEAR  | ENGINE MODEL | CYL | VEHICLE  |  | IN<br>EX     | DIMENSIONS           |                         |                   |                   |             |             | REMARKS |
|---|-------|--------------|-----|--|--|--------------|----------------------|-------------------------|-------------------|-------------------|-------------|-------------|---------|
|   |       |              |     | NAME   | MODEL  |              | HD                   | OL                      | SD                | SA                | HS          | CG          |         |
| 13711-54010<br>13711-54030  | 78-   | L            | 4   | CROWN2200 / 2400,<br>TOYOACE<br>MARKII220012411, HILUX                 | LS10 / 110/111/ 117 /<br>120<br>/126   | IN           | 42.5                 | 123.0                   | 8.5               | 45°               | c           | 11          |         |
| 13715-54010<br>13715-54020<br>13715-54030                               | 83-   | 2L           | 4   | CHASER2200/2400, HIACE<br><br>BIRZZARD, CRESTA2200<br><br>CRESSIDA2200 | LN40/44/46/50/55/65/6<br>0<br><br>LX40/60/67, LD10,<br>LX65<br>LH20/24/30/40/50/60/7<br>0<br>LT20, LY20/30 | EX           | 35.0                 | 123.0                   | 8.5               | 45°               | c           | 11          |         |
| 13711-54020<br>13711-17010<br>13715-54040<br>13715-17010                | 89-   | 2L<br>3L     | 4   | HILUX<br><br><br>HIACE VAN   | LN80 / LH100<br><br>LX80/76, LS130   | IN<br><br>EX | 42.5<br>36.0         | 103.5<br>103.3          | 8.0<br>8.0        | 45°<br>45°        | d<br>d      | 7<br>7      |         |
| 13711-05020<br>13711-54030<br>13715-05020<br>13715-54050                |       | 5L           | 4   |  |  | IN<br><br>EX | 42.5<br>36.0         | 104.3<br>104.0          | 8.0<br>8.0        | 45°<br>45°        | d<br>d      | 7<br>7      |         |
| 13711-41010<br>13715-41010  | 66-   | M            | 6   | CROWN  | MS50, 51, 52   | IN<br>EX     | 40.0<br>34.0         | 114.2<br>120.8          | 8.0<br>8.0        | 45°<br>45°        | c<br>c      | 3<br>3      |         |
| 13711-45010<br>13711-45020<br>13711-41020<br>13715-45010<br>13715-45020 | 71-79 | 4M           | 6   | CROWN2600, CELICA2600,<br>MARKII2600<br><br>SUPRA                      | MS65/75/80/83/95/101/<br>85/111<br><br>MS103/105/106, MA46<br><br>MX23 / 29 / 33 / 43                      | IN<br><br>EX | 38.0<br>33.0<br>33.0 | 116.2<br>112.7<br>113.2 | 8.0<br>8.0<br>8.0 | 45°<br>45°<br>45° | c<br>c<br>c | 3<br>3<br>3 |         |
| 13711-43030<br>13711-43010<br>13711-43020<br>13715-43010                | 79-   | 5M<br>6M     | 6   | CROWN2800, SOARE2800,<br>CELICA2800,<br>MARKII2800, SUPRA              | MS12/123, MZ11,<br><br>MX62/63,<br>MA56/61/67/55   | IN<br><br>EX | 44.0<br>42.0<br>36.0 | 107.7<br>116.2<br>109.7 | 8.0<br>8.0<br>8.0 | 45°<br>45°<br>45° | c<br>c<br>d | 3<br>3<br>3 |         |
| 13711-42020<br>13715-42010  | 86-   | 7M           | 6   | SUPRA  | MA70   | IN<br>EX     | 32.0<br>27.5         | 98.0<br>98.0            | 6.0<br>6.0        | 45°<br>45°        | c<br>d      | 7<br>7      |         |
| 13711-31010<br>13715-31010  | 64-   | 2R           | 4   | CORONA1500, MARKII 1500,<br>HIACE, TOYOACE,<br>STOUT, HILUX            | RT40/ 46/ 50/ 56/ 66/<br>80/<br>86/90<br><br>RH10/15/16/30<br><br>RK41/43, RN10/15                         | IN<br>EX     | 40.0<br>32.0         | 116.0<br>116.0          | 8.0<br>8.0        | 45°<br>45°        | c<br>d      | 15<br>15    |         |
| 13711-31011<br>13175-31011  |       | 2R           | 4   | CORONA 1500, MARKII 1500,<br>HIACE, TOYOACE,<br>STOUT, HILUX           | RT40/ 46/ 50/ 56/ 66/<br>80/<br>86/90<br><br>RH10/15/16/30<br><br>RK41/43, RN10/15                         | IN<br>EX     | 40.0<br>32.0         | 115.8<br>115.8          | 8.0<br>8.0        | 45°<br>45°        | c<br>d      | 3<br>3      |         |

**TOYOTA**

**ENGINE VALVE**

| O.E PART NO. | YEAR  | ENGINE MODEL | CYL | VEHICLE                      |   | IN<br>EX          | DIMENSIONS                     |            |      |       |       |     | REMARKS |   |    |  |
|--------------|-------|--------------|-----|------------------------------|---|-------------------|--------------------------------|------------|------|-------|-------|-----|---------|---|----|--|
|              |       |              |     | NAME                         | MODEL                                       |                   | HD                             | OL         | SD   | SA    | HS    | CG  |         |   |    |  |
| 13711-31012  | 64-71 | 2R           | 4   | CORONA1500, MARKII 1500,     | RT40/ 46/ 50/ 56/ 66/ 80/                   | IN                | 39.0                           | 116.0      | 8.0  | 45°   | c     | 10  |         |   |    |  |
| 13715-31012  |       |              |     | HIACE, TOYOACE, STOUT, HILUX | 86/90                                       | EX                | 33.0                           | 116.0      | 8.0  | 45°   | d     | 10  |         |   |    |  |
|              |       |              |     |                              | RH10/15/16/30                               |                   |                                |            |      |       |       |     |         |   |    |  |
|              |       |              |     |                              | RK41/43, RN10/15                            |                   |                                |            |      |       |       |     |         |   |    |  |
| 13711-40010  |       | 3R           | 4   | CROWN                        | RS40, 41                                    | IN                | 42.0                           | 125.0      | 9.0  | 45°   | d     | 10  |         |   |    |  |
| 13711-40011  |       |              |     | DYAN, STOUT                  | RT62, 72                                    |                   |                                |            |      |       |       |     |         |   |    |  |
| 13711-40020  |       |              |     |                              |   |                   |                                |            |      |       |       |     |         |   |    |  |
| 13711-40030  |       |              |     |                              |   |                   |                                |            |      |       |       |     |         |   |    |  |
| 13715-40010  |       |              |     |                              |   |                   |                                |            | EX   | 35.0  | 125.0 | 9.0 | 45°     | d | 10 |  |
| 13715-40011  |       |              |     |                              |   |                   |                                |            |      |       |       |     |         |   |    |  |
| 13715-40021  |       |              |     |                              |   |                   |                                |            |      |       |       |     |         |   |    |  |
| 13715-40030  |       |              |     |                              |   |                   |                                |            |      |       |       |     |         |   |    |  |
| 13711-32010  |       | 4R           | 4   | CORONA 1600                  | RT55  | IN                | 43.0                           | 116.0      | 8.0  | 45°   | c     | 8   |         |   |    |  |
| 13715-32010  |       |              |     |                              |   |                   |                                | EX         | 34.0 | 116.0 | 8.0   | 45° | d       | 8 |    |  |
| 13711-44010  |       | 5R           | 4   | CROWN, HILUX                 |   | IN                | 43.0                           | 109.5      | 8.5  | 45°   | c     | 10  |         |   |    |  |
| 13711-44011  |       |              |     | TOYOACE, DYNA                |   |                   |                                |            |      |       |       |     |         |   |    |  |
| 13715-44010  |       |              |     |                              |   |                   |                                |            |      |       |       |     |         |   |    |  |
| 13715-44011  |       |              |     |                              |   |                   |                                |            | EX   | 37.0  | 109.5 | 8.5 | 45°     | d | 10 |  |
| 13715-44020  |       |              |     |                              |   |                   |                                |            |      |       |       |     |         |   |    |  |
| 13711-44012  |       | 5R           | 4   | CROWN, HILUX                 |   | IN                | 43.0                           | 109.5      | 8.5  | 45°   | c     | 8   |         |   |    |  |
| 13715-44012  |       |              |     | TOYOACE, DYNA                |   |                   |                                | EX         | 37.0 | 109.5 | 8.5   | 45° | d       | 8 |    |  |
| 13715-44021  |       |              |     |                              |   |                   |                                |            |      | 37.0  | 110.0 | 8.5 | 45°     |   |    |  |
| 13711-44013  | 67-   | 5R           | 4   | CROWN2000, COASTER,          | RS50/56/60/100/105/110                      | IN                | 43.0                           | 109.5      | 8.5  | 45°   | c     | 7   |         |   |    |  |
| 13715-44022  |       |              |     | HILUX                        | RU10/12/15/18/19/ 20/ 30                    | EX                | 37.0                           | 110.0      | 8.5  | 45°   | d     | 8   |         |   |    |  |
|              |       |              |     | CORONA, TRACTOR              | RK101/110/111/170/171/176                   |                   |                                |            |      |       |       |     |         |   |    |  |
|              |       |              |     | DYNA ROUTE, TOYOACE, STOUT   | RY16/31, TG17                               |                   |                                |            |      |       |       |     |         |   |    |  |
| 13711-33010  | 70-73 | 6R           | 4   | MARKII1600 / 1700 / 1900     | RT60/ 61/ 67/ 68/ 70/ 71                    | IN                | 43.0                           | 114.2      | 8.0  | 45°   | c     | 3   |         |   |    |  |
| 13711-33011  |       |              |     |                              |   | CORONA1700 / 1900 | / 72/75/76/77/78/80/84         |            |      |       |       |     |         |   |    |  |
| 13715-33010  | 68-70 | 7R           | 4   |                              | / 87/88/90/93/94                            | EX                | 34.0                           | 114.2      | 8.0  | 45°   | d     | 3   |         |   |    |  |
| 13715-33011  |       | 8R           |     |                              |   |                   |                                |            |      |       |       |     |         |   |    |  |
| 13715-33030  | 68-72 | 18R          | 4   |                              | RX10/16, RA20, RN12                         |                   |                                |            |      |       |       |     |         |   |    |  |
| 13711-31030  | 70-   | 12R          | 4   | CORONA 1600                  | RN20 / 25                                   | IN                | 40.0                           | 109.0      | 8.0  | 45°   | c     | 10  |         |   |    |  |
| 13711-31040  |       |              |     | MARKII1600                   | RT80  |                   |                                |            |      |       |       |     |         |   |    |  |
| 13715-31030  |       |              |     | HIACE, HILUX                 |   | EX                | 34.0                           | 109.0      | 8.0  | 45°   | d     | 10  |         |   |    |  |
| 13715-31040  |       |              |     |                              |   |                   |                                |            |      |       |       |     |         |   |    |  |
| 13715-31050  |       |              |     |                              |   |                   |                                |            |      |       |       |     |         |   |    |  |
| 13711-31050  | 77-   | 12R          | 4   | CORONA1600, MARKII1600       | RH 11/13/16/20/24,                          | IN                | 40.0                           | 109.0      | 8.0  | 45°   | c     | 7   |         |   |    |  |
|              |       |              |     |                              |   |                   | HIACE, TOYOACE, TOWNACE, HILUX | RY10/12/14 |      |       |       |     |         |   |    |  |
|              |       |              |     |                              | RR10/11/ 20/ 21                             |                   |                                |            |      |       |       |     |         |   |    |  |
|              |       |              |     |                              | RN13/16/ 20/ 25/ 30/ 33/ 35/40/43           |                   |                                |            |      |       |       |     |         |   |    |  |
| 13715-31070  |       |              |     |                              | RT40/ 51/ 55/ 66/ 69/ 81/ 87/91/106/127/130 | EX                | 34.0                           | 109.0      | 8.0  | 45°   | d     | 7   |         |   |    |  |

**TOYOTA**

**ENGINE VALVE**

| O.E PART NO. | YEAR       | ENGINE MODEL | CYL        | VEHICLE                                |  | IN EX | DIMENSIONS |       |  |     |    |                                 | REMARKS                     |                             |
|--------------|------------|--------------|------------|--|--|-------|------------|-------|--|-----|----|---------------------------------|-----------------------------|-----------------------------|
|              |            |              |            | NAME                                   | MODEL                                  |       | HD         | OL    | SD   | SA  | HS | CG                              |                             |                             |
| 13711-34010  | 73-80      | <b>16R</b>   | 4          | MARKII1800/1200,<br>CELICA2000         | RA10/11/14/15/16/17                    | IN    | 41.0       | 113.2 | 8.0  | 45° | c  | 3                               |                             |                             |
| 13711-34011  |            |              |            | CORONA1600 / 1200,                     | / 21/23/25/28/31/35/40                 |       |            |       |  |     |    |                                 |                             |                             |
| 13711-34012  |            |              |            | CHASER2000                             | / 45/55/63                             |       |            |       |  |     |    |                                 |                             |                             |
| 13711-34030  |            |              |            | CARINA1800-2000,<br>CAMRY2000          | RX11/12/15/17/ 21/ 22/                 |       |            |       |  |     |    |                                 |                             |                             |
| 13711-34031  |            | <b>18R</b>   | 4          | HIACE, HILUX,<br>CRESSIDA2000          | 27 / 28/30/31/35/37/63                 | 43.0  | 113.2      | 8.0   | 45°  | c   | 3  |                                 |                             |                             |
| 13711-36020  |            |              |            | 73-                                    | <b>18R</b>                             |       |            |       |  |     |    | 4                               |                             | RT/95/102/104/108/110       |
| 13711-36021  |            |              |            |  |  |       |            |       |  |     |    |                                 |                             | 112/114/118/122/123/1<br>32 |
| 13711-36040  | 73-        | <b>18R</b>   | 4          | RN22/ 27/ 30/ 40                       | EX                                     | 36.0  | 113.2      | 8.0   | 45°  | d   | 3  |                                 |                             |                             |
| 13715-34010  |            |              |            |  |  |       |            |       |  |     |    | <b>19R</b>                      |                             |                             |
| 13715-34011  |            |              |            |  |  |       |            |       |  |     |    |                                 |                             |                             |
| 13715-34012  |            |              |            |  |  |       |            |       |  |     |    |                                 |                             |                             |
| 13715-34013  |            |              |            |  |  |       |            |       |  |     |    |                                 |                             |                             |
| 13715-34022  |            |              |            |  |  |       |            |       |  |     |    |                                 |                             |                             |
| 13715-34050  |            | 78-          | <b>21R</b> | 4                                      | HIACE2000, CRESSIDA2000<br>COASTER2000 | EX    | 36.0       | 114.0 | 8.0  | 45° | c  | 3                               |                             |                             |
| 13715-34310  |            |              |            |  |  |       |            |       |  |     |    |                                 |                             |                             |
| 13715-34311  |            |              |            |  |  |       |            |       |  |     |    |                                 |                             |                             |
| 13715-34312  |            |              |            |  |  |       |            |       |  |     |    |                                 |                             |                             |
| 13715-34313  |            |              |            |  |  |       |            |       |  |     |    |                                 |                             |                             |
| 13715-36021  | 75-80      | <b>20R</b>   | 4          | MARKII2000, CELICA2000                 | RU50                                   | IN    | 43.0       | 115.5 | 8.0  | 45° | c  | 3                               |                             |                             |
| 13711-37010  |            |              |            | CHASER2000, CORONA2000                 | RH23 / 33                              |       |            |       |  |     |    |                                 |                             |                             |
| 13711-38010  |            |              |            | CAMRY2000, CARINA2000                  | RB11 / 12                              |       |            |       |  |     |    |                                 |                             |                             |
| 13711-38020  |            | <b>21R</b>   | 4          | HIACE2000, CRESSIDA2000<br>COASTER2000 | RTI05/115/119/133/134                  | EX    | 36.0       | 113.4 | 8.0  | 45° | c  | 3                               |                             |                             |
| 13715-38010  |            |              |            |  |  |       |            |       |  |     |    |                                 | RX40 / 41 / 60 / 70         |                             |
| 13715-38011  |            |              |            |  |  |       |            |       |  |     |    |                                 | RN27/ 28/ 32/ 37/ 42/<br>47 |                             |
| 13715-38020  | 78-        | <b>21R</b>   | 4          | COASTER2000                            | EX                                     | 36.0  | 114.0      | 8.0   | 45°  | c   | 6  |                                 |                             |                             |
| 13715-38050  |            |              |            |  |  |       |            |       |  |     |    | RA22/ 24/ 29/ 42/ 45/<br>46/ 56 |                             |                             |
| 13715-37020  | 84-<br>84- | <b>21R</b>   | 4          | CRESSIDA2000                           | IN                                     | 45.0  | 113.8      | 8.0   | 45°  | c   | 6  |                                 |                             |                             |
| 13711-35050  |            |              |            |  |  |       |            |       |  |     |    | <b>22R</b>                      | HILUX<br>DYNA               |                             |
| 13711-35030  |            |              |            |  |  |       |            |       |  |     |    |                                 |                             |                             |
| 13711-35040  |            |              |            |  |  |       |            |       |  |     |    |                                 |                             |                             |
| 13711-35040  |            | <b>21R</b>   | 4          | COASTER2200                            | EX                                     | 37.0  | 113.0      | 8.0   | 45°  | c   | 6  |                                 |                             |                             |
| 13711-35050  |            |              |            |  |  |       |            |       |  |     |    | <b>22R</b>                      | CELICA2200                  |                             |
| 13711-35051  |            |              |            |  |  |       |            |       |  |     |    |                                 |                             |                             |
| 13715-35040  | 81-        | <b>21R</b>   | 4          | DYNA                                   | IN                                     | 45.0  | 113.4      | 8.0   | 45°  | c   | 3  |                                 |                             |                             |
| 13711-35010  |            |              |            |  |  |       |            |       |  |     |    | <b>22R</b>                      | CELICA2200                  |                             |
| 13711-35030  |            |              |            |  |  |       |            |       |  |     |    |                                 |                             |                             |
| 13711-35031  |            | EX           | 37.0       | 112.4                                  | 8.0                                    | 45°   | c          | 3     |  |     |    |                                 |                             |                             |
| 13715-35010  |            |              |            |  |  |       |            |       | RA43 / 44 / 63 / 65                          |     |    |                                 |                             |                             |
| 13715-35020  |            |              |            |  |  |       |            |       | RN34/ 38/ 44/ 48/ 50/<br>60/<br>66/80/90/100 |     |    |                                 |                             |                             |
| 13715-35030  | 81-        | <b>21R</b>   | 4          | DYNA                                   | EX                                     | 37.0  | 112.4      | 8.0   | 45°  | c   | 3  |                                 |                             |                             |
| 13715-35031  |            |              |            |  |  |       |            |       |  |     |    | RU80/90                         |                             |                             |
| 13715-35040  |            |              |            |  |  |       |            |       |  |     |    |                                 |                             |                             |

TOYOTA

ENGINE VALVE

| O.E PART NO.               | YEAR | ENGINE MODEL | CYL | VEHICLE   |  | IN EX | DIMENSIONS |       |       |       |     |     | REMARKS |   |  |
|----------------------------|------|--------------|-----|---|--|-------|------------|-------|-------|-------|-----|-----|---------|---|--|
|                            |      |              |     | NAME  | MODEL  |       | HD         | OL    | SD    | SA    | HS  | CG  |         |   |  |
| 13711-63010                | 81-  | <b>1S</b>    | 4   | CAMRY1800/2000,<br>CELICA1800<br>VISTA1800/2000,<br>CARINA1800<br>MARKII1800, CHASER1800<br>CRESTA1800, CORONA1800    | SQ60, SV10/11/12/16  | IN    | 40.0       | 109.8 | 8.0   | 45°   | c   | 6   |         |   |  |
| 13715-63010                | 83-  | <b>2S</b>    | 4   |   | SX60, ST140/150  | EX    | 34.0       | 109.4 | 8.0   | 45°   | c   | 6   |         |   |  |
| 13715-63011                |      |              |     |   | SA60,  |       |            |       |       |       |     |     |         |   |  |
| 13715-63021                |      |              |     |   |  |       |            |       |       |       |     |     |         |   |  |
| 13711-74020                | 86-  | <b>3S-FE</b> | 4   | CELICA<br>CORONA<br>CAMRY   | ST1 7 0 / 180 / 190  | IN    | 32.0       | 100.6 | 6.0   | 45°   | c   | 7   |         |   |  |
| 13711-74030                |      |              |     |   |  |       |            |       |       |       |     |     |         |   |  |
| 13711-74040                |      |              |     |   |  |       |            |       |       |       |     |     |         |   |  |
| 13715-74020                |      |              |     |   |  |       | EX         | 27.0  | 100.5 | 6.0   | 45° | d   | 7       |   |  |
| 13715-74030                |      |              |     |   |  |       |            |       |       |       |     |     |         |   |  |
| 13715-74050<br>13715-74060 |      |              |     |   |  |       |            |       |       |       |     |     |         |   |  |
| 13711-25010                | 70-  | <b>T</b>     | 4   | CELICA 1400<br>CORONA 1400<br>SPRINTER 1400<br>CARINA 1400  | TA10, 15, 16, 20   | IN    | 41.0       | 109.2 | 8.0   | 45°   | c   | 10  |         |   |  |
| 13715-25010                | 70-  | <b>2T</b>    | 4   |   | TE20, 25, 30, 35, 36,  | EX    | 36.0       | 109.2 | 8.0   | 45°   | c   | 10  |         |   |  |
|                            |      | <b>2TB</b>   |     |   | 40, 45, 50, 60   |       |            |       |       |       |     |     |         |   |  |
| 13711-88210                | 71-  | <b>2T-G</b>  | 4   | CELICA 2000<br>CORONA MARKII 2000   | RA23/28/40   | IN    | 45.0       | 106.8 | 8.5   | 45°   | c   | 3   |         |   |  |
| 13711-88222                |      |              |     |   | RX30 / 31 / 63   |       | 44.5       | 106.2 | 8.5   | 45°   | c   | 3   |         |   |  |
| 13711-88224                |      |              |     |   |  |       |            |       |       |       |     |     |         |   |  |
| 13715-88222                |      | <b>3T-G</b>  | 4   |   |  | EX    | 38.5       | 105.5 | 8.5   | 45°   | d   | 3   |         |   |  |
| 13711-25011                | 72-  | <b>2T</b>    | 4   | CAMRY, MARKII, CARINA,<br>SPRINTER, CELICA,<br>TORUENO,<br>CHASER, LITEACE,<br>COROLLA,<br>TOWNACE, CORONA,<br>CRESTA | TA12/14/17/18/19/ 22/<br>27  | IN    | 41.0       | 109.0 | 8.0   | 45°   | c   | 3   |         |   |  |
|                            | 76-  | <b>2TC</b>   |     |   | 30/31/35/40/41/42/45   |       |            |       |       |       |     |     |         |   |  |
|                            | 78-  | <b>3T</b>    |     |   | /49/61/67/71/71  |       |            |       |       |       |     |     |         |   |  |
| 13715-25011                |      | <b>3TC</b>   |     |   | TT100/106/110/120/125<br>/130/138/147, TR10/11<br><br>TE21/ 27/ 31/ 37/ 47/<br>51/<br>52/<br>55/56/61/62/65/66/71<br>/ 73/75 | EX    | 36.0       | 109.0 | 8.0   | 45°   | c   | 3   |         |   |  |
| 13711-10010                |      | <b>U</b>     | 2   | PUBLICA800  | UP10/16/26   | IN    | 39.0       | 101.2 | 8.0   | 45°   | c   | 3   |         |   |  |
| 13715-10010                |      | <b>2U</b>    | 2   | MINIACE800  | UP100  | EX    | 32.0       | 99.8  | 8.0   | 45°   | d   | 3   |         |   |  |
| 13711-71010                | 83-  | <b>1Y</b>    | 4   | TOWNACE   | YR20/21/22/26, YM21/<br>25   | IN    | 40.0       | 108.3 | 8.0   | 45°   | c   | 7   |         |   |  |
| 13711-71020                | 83-  | <b>2Y</b>    | 4   | HILUX   | YH50 / 51 / 60 / 61 / 71   |       |            |       |       |       |     |     |         |   |  |
| 13715-71010                | 83-  | <b>3Y</b>    | 4   | HIACE   |  | EX    | 36.0       | 108.6 | 8.0   | 45°   | c   | 7   |         |   |  |
| 13715-71020                | 83-  | <b>4Y</b>    | 4   | MASTERACE<br>LITEACE  |  |       |            |       |       |       |     |     |         |   |  |
| 13711-17010                |      | <b>1HZ</b>   | 4   | LAND CRUISER  | DIESEL   | IN    | 42.5       | 103.5 | 8.0   | 45°   | d   | 7   |         |   |  |
| 13711-05010                |      | <b>1HDT</b>  |     |   |  |       |            |       |       |       |     |     |         |   |  |
| 13715-17010                |      |              |     |   |  |       |            | EX    | 36.0  | 103.4 | 8.0 | 45° | d       | 7 |  |
| 13715-05010                |      |              |     |   |  |       |            |       |       |       |     |     |         |   |  |
| 13711-75021                | 89-  | <b>1RZ</b>   | 4   | HIACE   | RZH100, 103125   | IN    | 42.0       | 102.0 | 8.0   | 45°   | c   | 7   |         |   |  |
| 13711-75010                |      | <b>2RZ</b>   |     |   |  |       |            |       |       |       |     |     |         |   |  |
| 13711-75020                |      |              |     |   |  |       |            |       |       |       |     |     |         |   |  |
| 13711-75030                |      |              |     |   |  |       |            |       | 46.0  | 102.3 | 8.0 | 45° | c       | 7 |  |
| 13711-75040                |      |              |     |   |  |       |            |       |       |       |     |     |         |   |  |
| 13715-75010                |      |              |     |   |  |       |            | EX    | 35.0  | 102.2 | 8.0 | 45° | c       | 7 |  |
| 13715-75020<br>13715-75030 |      |              |     |   |  |       |            |       | 35.1  | 102.2 | 8.0 | 45° | c       | 7 |  |
|                            |      |              |     |   |  |       | 38.0       | 102.3 | 8.0   | 45°   | c   | 7   |         |   |  |



**TOYOTA**

**ENGINE VALVE**

| O.E PART NO.   | YEAR | ENGINE MODEL                        | CYL    | VEHICLE   |              | IN<br>EX | DIMENSIONS           |                      |                   |                   |        |          | REMARKS |
|--|------|-------------------------------------|--------|---|--------------|----------|----------------------|----------------------|-------------------|-------------------|--------|----------|---------|
|  |      |                                     |        | NAME  | MODEL        |          | HD                   | OL                   | SD                | SA                | HS     | CG       |         |
| 13711-65010<br>13711-65020<br>13715-65010<br>13715-65020   |      | <b>3VZE</b>                         | 6      | 4 RUNNER<br>PICKUP  | VZN100 / 130 | IN<br>EX | 42.0<br>35.0         | 104.3<br>104.4       | 8.0<br>8.0        | 45°<br>45°        | c<br>c | 7<br>7   |         |
| 13711-78010<br>13715-78010   | 83-  | <b>IW</b>                           | 4      | DYNA WIDE   | WV26         | IN<br>EX | 45.5<br>40.0         | 123.1<br>123.0       | 9.0<br>9.0        | 60°<br>45°        | d<br>d | 7<br>7   |         |
| 13711-02010<br>94849132<br>13715-02010<br>94845133   |      |                                     |        |   |              | IN<br>EX | 30.5<br>25.5         | 99.5<br>99.8         | 6.0<br>6.0        | 45°<br>45°        | c<br>d | 7<br>7   |         |
| 13711-03020<br>13711-74080<br>13711-74090<br>13715-03020<br>13715-74080<br>13715-74090   | 92-  | <b>3SF</b><br><b>5SFE</b>           | 4      | GAMRY   |              | IN<br>EX | 32.0<br>27.0         | 97.6<br>98.5         | 6.0<br>6.0        | 45°<br>45°        | c<br>d | 7<br>7   |         |
| 13711-11010<br>13711-11011<br>13712-11020<br>13715-11030   | 87-  | <b>3E</b><br><b>4E</b><br><b>5E</b> | 4<br>4 | COROLLA<br>SPRINTER<br>TERCEL<br>(SUB VALVE FOR 3E & 3EE) |              | IN<br>EX | 28.5<br>24.0<br>24.5 | 93.5<br>92.0<br>94.0 | 6.0<br>6.0<br>6.0 | 45°<br>45°<br>45° | d      | 7        |         |
| 13711-15050<br>13711-15060<br>13711-15071<br>13711-15081<br>94847343<br>13715-15030<br>13715-15040<br>13715-15050<br>13715-15060<br>94847344 |      | <b>4A-FHE</b><br><b>5A</b>          | 4      | COROLLA<br>SPRINTER                                       |              | IN<br>EX | 30.0<br>24.5         | 91.4<br>92.0         | 6.0<br>6.0        | 45°<br>45°        | c<br>d | 7<br>7   |         |
| 13711-15090<br>94853629<br>13715-15070   | 93-  | <b>4AFE</b>                         | 4      | COROLLA   |              | IN<br>EX | 31.0<br>24.5         | 87.5<br>88.0         | 6.0<br>6.0        | 45°<br>45°        | d<br>d | 7<br>7   |         |
| 13711-23011<br>13715-23011   |      | <b>3P</b>                           | 4      |   |              | IN<br>EX | 36.0<br>29.7         | 103.8<br>103.8       | 8.0<br>8.0        | 45°<br>45°        | c<br>d | 15<br>15 |         |
| 13711-23020<br>13715-23020   |      | <b>3P</b>                           | 4      | CORONA / TOYOACE / HIACE<br>FORKLIFT                      |              | IN<br>EX | 38.0<br>29.7         | 103.5<br>103.5       | 8.0<br>8.0        | 45°<br>45°        | c<br>d | 10<br>10 |         |
| 13711-23021<br>13715-23021   |      | <b>4P</b>                           | 4      | FORKLIFT  |              | IN<br>EX | 38.0<br>29.9         | 103.5<br>103.5       | 8.0<br>8.0        | 45°<br>45°        | c      | 3        |         |
| 13711-78102-71<br>13715-78102-71   |      | <b>5P</b>                           |        |   |              | IN<br>EX | 44.0<br>33.5         | 117.5<br>118.8       | 9.0<br>9.0        | 45°<br>45°        | d<br>d | 7<br>7   |         |
| 13711-41011<br>13711-41012<br>13715-41011<br>13715-41012   |      | <b>2M</b><br><b>4M</b>              |        | CROWN   |              | IN<br>EX | 40.0<br>34.0         | 114.2<br>123.2       | 8.0<br>8.0        | 45°<br>45°        | c<br>d | 3<br>3   |         |
| 13711-50010<br>13715-50010   |      |                                     |        |   |              | IN<br>EX | 36.0<br>30.0         | 108.0<br>108.0       | 8.0<br>8.0        | 45°<br>45°        | c<br>d | 3<br>3   |         |

**TOYOTA**

**ENGINE VALVE**

| O.E PART NO.   | YEAR  | ENGINE MODEL | CYL | VEHICLE               |       | IN<br>EX | DIMENSIONS |       |       |     |     |    | REMARKS |  |
|----------------|-------|--------------|-----|-----------------------|-------|----------|------------|-------|-------|-----|-----|----|---------|--|
|                |       |              |     | NAME                  | MODEL |          | HD         | OL    | SD    | SA  | HS  | CG |         |  |
| 13711-50020    | 90-   | 4B           | 8   | LEXUS LS400 / SC400   |       | IN       | 33.5       | 95.0  | 6.0   | 45° | c   | 7  |         |  |
| 13715-50020    |       |              |     |                       |       | EX       | 28.0       | 97.0  | 6.0   | 45° | d   | 7  |         |  |
| 13711-56050    |       |              |     | LAND CRUISER, COASTER |       | IN       | 45.0       | 126.6 | 9.0   | 45° | d   | 7  |         |  |
| 13715-56050    |       |              |     | DYNA<br>TOYOACE       |       | EX       | 37.5       | 126.5 | 9.0   | 45° | d   | 7  |         |  |
| 13711-62020    | 88-91 | 2VZ          | 6   | CAMRY                 | VZV21 | IN       | 33.0       | 96.2  | 6.0   | 45° | c   | 7  |         |  |
| 13715-62020    |       |              |     | LEXUS ES 250          |       | EX       | 27.3       | 96.2  | 6.0   | 45° | d   | 7  |         |  |
| 13711-62030    | 92-   | 3VZ          | 6   | CAMRY                 |       | IN       | 34.0       | 95.2  | 6.0   | 45° | c   | 7  |         |  |
| 13711-62040    |       |              |     | LEXUS ES300           |       |          | 34.1       | 95.6  | 6.0   | 45° |     |    |         |  |
| 13715-62030    |       | 5VZ          |     |                       |       | EX       | 27.3       | 95.0  | 6.0   | 45° | c   | 7  |         |  |
| 13715-62050    |       |              |     |                       |       |          | 27.3       | 94.9  | 6.0   | 45° | c   | 7  |         |  |
| 13711-66020    | 92-   | 1FZ          | 6   | LAND CRUOSER          |       | IN       | 40.0       | 98.7  | 7.0   | 45° | c   | 7  |         |  |
| 13711-66030    |       |              |     |                       |       |          |            |       |       |     |     |    |         |  |
| 13715-66020    |       |              |     |                       |       | EX       | 33.0       | 98.1  | 7.0   | 45° | d   | 7  |         |  |
| 13715-66030    |       |              |     |                       |       |          |            |       |       |     |     |    |         |  |
| 13711-70050    | 88-   |              | 6   | CRESSIDA              |       | GX81, 1G | IN         | 28.0  | 93.4  | 6.0 | 45° | d  | 7       |  |
| 13715-70050    |       |              |     |                       |       |          | EX         | 23.3  | 93.4  | 6.0 | 45° | d  | 7       |  |
| 13711-88360    | 86-87 | 3SGE         | 4   | CELICA(3SGELC ENGINE) |       |          | IN         | 33.5  | 103.0 | 6.0 | 45° | c  | 7       |  |
| 13711-88361    |       |              |     |                       |       |          |            |       |       |     |     |    |         |  |
| 13715-88360    |       |              |     |                       |       |          | EX         | 29.0  | 102.0 | 6.0 | 45° | c  | 7       |  |
| 13711-76020    | 90-   | 2TZ-F        | 6   | ESTIMA                |       |          | IN         | 36.0  | 103.6 | 6.0 | 45° | c  | 7       |  |
| 13715-76020    |       |              |     | PREVIA                |       |          | EX         | 30.5  | 103.6 | 6.0 | 45° | d  | 7       |  |
| 13715-76030    |       |              |     |                       |       |          |            |       |       |     |     |    |         |  |
| 13715-75050    |       |              |     |                       |       |          |            |       |       |     |     |    |         |  |
| 13711-87305    |       |              |     |                       |       |          | IN         | 40.0  | 136.2 | 9.0 | 45° | c  | 7       |  |
| 13715-87305    |       |              |     |                       |       |          | EX         | 33.0  | 136.2 | 9.0 | 45° | c  | 7       |  |
| 13711-88300    |       |              |     |                       |       |          | IN         | 28.0  | 94.2  | 6.0 | 45° | c  | 7       |  |
| 13715-88300    |       |              |     |                       |       |          | EX         | 23.5  | 94.2  | 6.0 | 45° | c  | 7       |  |
| 13711-78010    | 83-   | 1W<br>WU     | 4   | DYNA WIDE (WV26)      |       |          | IN         | 45.5  | 123.1 | 9.0 | 60° | d  | 7       |  |
| 13715-78010    |       |              |     |                       |       |          | EX         | 40.0  | 123.0 | 9.0 | 45° | d  | 7       |  |
| 13711-78200-   |       | IDZ          | 4   | FORKLIFT              |       |          | IN         | 38.5  | 108.6 | 8.0 | 45° | d  | 7       |  |
| 13715-78200-   |       |              |     |                       |       |          | EX         | 35.0  | 108.3 | 8.0 | 45° | d  | 7       |  |
| 13711-78300-71 |       | IZ           | 4   | FORKLIFT              |       |          | IN         | 42.0  | 122.0 | 9.0 | 45° | d  | 7       |  |
| 13715-78300-71 |       |              |     |                       |       |          | EX         | 35.0  | 121.8 | 9.0 | 45° | d  | 7       |  |
| 13711-74080    |       | 3S-F<br>5S   | 4   | CAM RY                |       |          | IN         | 32.0  | 97.6  | 6.0 | 45° | c  | 7       |  |
| 13711-74090    |       |              |     | CELICA                |       |          |            |       |       |     |     |    |         |  |
| 13715-74080    |       |              |     | EX                    | 27.0  |          | 98.5       | 6.0   | 45°   | d   | 7   |    |         |  |
| 13715-74090    |       |              |     |                       |       |          |            |       |       |     |     |    |         |  |
| 13711-16060    |       | 4AFE<br>7AFE | 4   | COROLLA               |       |          | IN         | 31.0  | 87.5  | 6.0 | 45° | c  | 7       |  |
| 13715-16060    |       |              |     | AE102                 |       |          | EX         | 24.5  | 88.0  | 6.0 | 45° | c  | 7       |  |
| 13715-15070    |       |              |     |                       |       |          |            |       |       |     |     |    |         |  |
| 13711-75060    |       | 3RZ-FE       | 4   | 4 RUNNER              |       |          | IN         | 37.5  | 103.5 | 6.0 | 45° | c  | 7       |  |
| 13711-75050    |       |              |     |                       |       |          |            |       |       |     |     |    |         |  |
| 13711-75070    |       |              |     |                       |       |          |            |       |       |     |     |    |         |  |
| 13715-75050    |       |              |     | HI LUX                |       |          | EX         | 30.0  | 103.6 | 6.0 | 45° | c  | 7       |  |
| 13715-75040    |       |              |     |                       |       |          |            |       |       |     |     |    |         |  |
| 13715-75030    |       |              |     |                       |       |          |            |       |       |     |     |    |         |  |
| 13715-75020    |       |              |     |                       |       |          |            |       |       |     |     |    |         |  |
| 13711-58030    | 96-   | 15B<br>15BF  | 4   | PZH                   |       |          | IN         | 37.0  | 126.5 | 7.0 | 45° | d  | 7       |  |
| 13715-58070    |       |              |     |                       |       |          | EX         | 33.0  | 126.5 | 7.0 | 45° | d  | 7       |  |
| 13711-55010    |       | 1NZ          | 4   |                       |       |          | IN         | 34.0  | 91.2  | 6.0 | 45° | c  | 7       |  |
| 13715-55010    |       |              |     |                       |       |          | EX         | 29.0  | 91.2  | 6.0 | 45° | c  | 7       |  |

**TOYOTA**

**ENGINE VALVE**

| O.E PART NO.               | YEAR | ENGINE MODEL | CYL | VEHICLE |       | IN<br>EX | DIMENSIONS |       |     |     |    |    | REMARKS |
|----------------------------|------|--------------|-----|---------|-------|----------|------------|-------|-----|-----|----|----|---------|
|                            |      |              |     | NAME    | MODEL |          | HD         | OL    | SD  | SA  | HS | CG |         |
| 13711-21020<br>13711-21010 |      | 1/2N-FE      | 4   | YARIZ   |       | IN       | 30.5       | 89.3  | 5.0 | 45° |    |    |         |
| 13715-21020<br>13715-21010 |      |              |     |         |       | EX       | 25.5       | 87.9  | 5.0 | 45° |    |    |         |
| 13711-46021<br>13711-46022 | 24V  | 1JZ-E        | 6   |         |       | IN       | 33.5       | 98.5  | 6.0 | 45° | c  | 7  |         |
| 13715-46020                |      |              |     |         |       | EX       | 29.0       | 99.1  | 6.0 | 45° | c  | 7  |         |
| 13711-16040<br>13711-16110 |      | 4AGE         |     | 20V     |       | IN       | 26.5       | 98.5  | 5.0 | 45° | c  | 7  |         |
| 13715-16090<br>13715-16040 |      |              |     |         |       | EX       | 26.0       | 108.3 | 5.0 | 45° |    |    |         |
|                            |      |              |     |         |       |          | 26.0       | 108.4 | 5.0 | 45° | c  | 7  |         |
| 13711-22030<br>13715-22030 |      | 1ZZ-FE       | 4   |         |       | IN       | 32.0       | 88.7  | 5.5 | 45° |    |    |         |
|                            |      |              |     |         |       | EX       | 27.5       | 88.7  | 5.5 | 45° |    |    |         |
| 13711-22040<br>13711-22050 |      | 1ZZ-FE       | 4   |         |       | IN       | 31.0       | 88.7  | 5.5 | 45° |    |    |         |
| 13715-22040<br>13715-22050 |      | 3ZZ-FE       |     |         |       | EX       | 26.0       | 88.7  | 5.5 | 45° |    |    |         |
| 13711-30030<br>13711-OL020 |      | 1KD          | 4   |         |       | IN       | 32.2       | 105.5 | 6.0 | 45° |    |    |         |
| 13715-30030<br>13715-OL020 |      |              |     |         |       | EX       | 27.8       | 105.3 | 6.0 | 45° |    |    |         |
| 13711-30040<br>13711-OL010 |      | 2KD          |     |         |       | IN       | 30.5       | 106.0 | 6.0 | 45° |    |    |         |
| 13715-30040<br>13715-OL010 |      |              |     |         |       | EX       | 26.5       | 105.7 | 6.0 | 45° |    |    |         |
| 13711-54020<br>13711-67020 |      | 1KZ          | 4   |         |       | IN       | 42.5       | 103.5 | 8.0 | 45° |    |    |         |
| 13715-67020                |      |              |     |         |       | EX       | 37.0       | 103.5 | 8.0 | 45° |    |    |         |
| 13711-54040<br>13711-67030 |      | 1KZ-TE       | 4   |         |       | IN       | 42.5       | 104.5 | 8.0 | 45° |    |    |         |
| 13715-67040<br>13715-67050 |      |              |     |         |       | EX       | 37.0       | 104.3 | 8.0 | 45° |    |    |         |
| 13711-23030<br>13715-23030 |      | 1SZ          | 4   | K3-VE   |       | IN       | 26.0       | 88.2  | 5.0 | 45° |    |    |         |
|                            |      |              |     |         |       | EX       | 22.5       | 89.1  | 5.0 | 45° |    |    |         |
| 13711-BZ010<br>13715-BZ010 |      | 1SZ<br>2SZ   |     |         |       | IN       | 26.0       | 88.3  | 5.0 | 45° |    |    |         |
|                            |      |              |     |         |       | EX       | 22.5       | 89.0  | 5.0 | 45° |    |    |         |
| 13711-BZ070<br>13715-BZ060 |      | 2SZ<br>3SZ   | 4   |         |       | IN       | 27.9       | 88.3  | 5.0 | 45° |    |    |         |
|                            |      |              |     |         |       | EX       | 23.4       | 89.0  | 5.0 | 45° |    |    |         |
| 13711-37020<br>13715-37030 |      | 1ZR          |     |         |       | IN       | 32.0       | 109.3 | 5.5 | 45° |    |    |         |
|                            |      |              |     |         |       | EX       | 27.5       | 108.2 | 5.5 | 45° |    |    |         |
| 13711-0C050<br>13715-0C050 |      | 2TR          |     |         |       | IN       |            |       |     |     |    |    |         |
|                            |      |              |     |         |       | EX       |            |       |     |     |    |    |         |
| 13711-75110<br>13715-75100 |      | 2TR-FE       |     |         |       | IN       | 37.5       | 106.5 | 5.5 | 45° |    |    |         |
|                            |      |              |     |         |       | EX       | 31.5       | 106.7 | 5.5 | 45° |    |    |         |

**MERCEDES BENZ**

**ENGINE VALVE**

| PART NO. | YEAR | ENGINE MODEL | CYL | VEHICLE              |                  | IN EX | DIMENSIONS |       |      |     |    |    | REMARKS |
|----------|------|--------------|-----|----------------------|------------------|-------|------------|-------|------|-----|----|----|---------|
|          |      |              |     | NAME                 | MODEL            |       | HD         | OL    | SD   | SA  | HS | CG |         |
| V90049   | 70   |              | 4   | 3520530101           | OM 314<br>OM 352 | IN    | 44.0       | 140.5 | 9.0  | 45° | A  | 2  |         |
| V90168   | 74   |              | 6   | 3520531505           | TRUCK            | EX    | 36.0       | 140.5 | 10.0 | 45° | C  | 2  |         |
| V90047   | 68   |              | 6   | 3550530001           | OM 355           | IN    | 42.0       | 130.7 | 9.0  | 60° | A  | 2  |         |
| V90048   |      |              |     | 3550530005           |                  | EX    | 37.2       | 166.0 | 9.0  | 60° | A  | 2  |         |
|          |      |              |     | 234005PJ<br>TRWT2741 |                  |       | 53.0       | 162.0 | 10.0 | 45° | A  | 7  |         |
|          |      |              | 6   | 3460530001           | OM 346           | IN    | 42.0       | 129.8 | 9.0  | 45° | A  | 2  |         |
|          |      |              |     | 3460530005           | TRUCK            | EX    | 37.0       | 165.3 | 9.0  | 45° | A  | 2  |         |
|          |      |              | 6   |                      | OM 355T          | IN    | 42.0       | 130.6 | 9.0  | 30° | A  | 2  |         |
|          |      |              |     |                      |                  | EX    | 37.0       | 165.9 | 9.0  | 30° | A  | 2  |         |
|          |      |              | 6   |                      | OM 360<br>BUS    | IN    | 54.0       | 150.0 | 10.0 | 45° | A  | 2  |         |
|          |      |              |     |                      |                  | EX    | 43.0       | 150.0 | 10.0 | 45° | A  | 2  |         |
| 1608/2   |      |              |     | TRWT                 | OM 402           | IN    | 59.0       | 142.5 | 12.0 | 30° | A  | 2  |         |
|          |      |              |     |                      |                  | EX    | 51.0       | 142.5 | 12.0 | 45° | A  | 2  |         |
|          |      |              | 4   |                      |                  | IN    | 40.0       | 131.5 | 70.0 | 60° |    |    | 牙勾      |
|          |      |              |     |                      |                  | EX    |            |       |      |     |    |    |         |
| 16012    |      |              |     | TRW                  | OM 444           | IN    | 59.0       | 142.5 |      | 30° | A  | 7  |         |
| 16011    |      |              |     |                      |                  | EX    | 51.0       | 142.5 |      | 45° | A  | 7  |         |
| 16117    |      |              |     | TRW                  |                  | IN    | 59.0       | 142.5 |      | 30° | A  | 7  |         |
| 16116    |      |              |     |                      |                  | EX    | 51.0       | 142.5 |      | 45° | A  | 7  |         |

**VOLVO**

|          |  |              |  |         |  |    |      |       |      |     |   |    |  |
|----------|--|--------------|--|---------|--|----|------|-------|------|-----|---|----|--|
| 463395-4 |  |              |  | 244 GLE |  | IN | 44.0 | 110.5 | 8.0  | 45° | c | 11 |  |
| 463526-4 |  |              |  |         |  | EX | 35.0 | 110.8 | 8.0  | 45° | d | 11 |  |
| 468302-5 |  | <b>TD120</b> |  |         |  | IN | 54.0 | 167.0 | 11.0 | 60° | a | 7  |  |
| 468303-3 |  |              |  |         |  | EX | 50.0 | 167.0 | 11.0 | 45° | a | 7  |  |
| 467502-1 |  | <b>TD100</b> |  |         |  | IN | 50.0 | 167.0 | 11.0 | 60° | a | 7  |  |
| 467503   |  |              |  |         |  | EX | 46.0 | 167.0 | 11.0 | 45° | a | 7  |  |
|          |  | <b>FH12</b>  |  |         |  | IN |      |       |      |     |   |    |  |
|          |  |              |  |         |  | EX |      |       |      |     |   |    |  |
|          |  | <b>FH13</b>  |  |         |  | IN |      |       |      |     |   |    |  |
|          |  |              |  |         |  | EX |      |       |      |     |   |    |  |

## LADA

## ENGINE VALVE

| PART NO.     | YEAR | ENGINE MODEL | CYL | VEHICLE   |       | IN EX | DIMENSIONS |       |      |     |    |    | REMARKS |
|--------------|------|--------------|-----|-----------|-------|-------|------------|-------|------|-----|----|----|---------|
|              |      |              |     | NAME      | MODEL |       | HD         | OL    | SD   | SA  | HS | CG |         |
| 2101-1007010 |      |              | 4   |           |       | IN    | 37.0       | 112.7 | 8.0  | 45° | a  | 7  |         |
| 2101-1007012 |      |              |     |           |       | EX    | 31.5       | 113.7 | 8.0  | 45° | a  | 7  |         |
| 2108-1007010 |      |              |     | SAMARA    |       | IN    | 35.0       | 104.0 | 8.00 | 45° | a  | 11 |         |
| 2108-1007012 |      |              |     | 1300/1500 |       | EX    | 31.5       | 104.0 | 8.0  | 45° | a  | 11 |         |

## LADA ROVER

|        |    |  |   |             |                     |    |      |       |     |     |   |   |  |
|--------|----|--|---|-------------|---------------------|----|------|-------|-----|-----|---|---|--|
| 527240 | 58 |  | 4 | V3085       | 88-109              | IN | 39.3 | 116.7 | 8.0 | 45° | a | 7 |  |
| 550198 | 72 |  |   | V3572       | DIESEL SANTANA      | EX | 33.3 | 117.1 | 8.7 | 45° | a | 7 |  |
| 277593 |    |  | 4 | V3195       | 88-109              | IN | 44.5 | 111.5 | 8.0 | 60° | a | 7 |  |
| 557967 | 59 |  |   | V34365/3573 | GASOLINA<br>SANTANA | EX | 35.0 | 111.5 | 8.7 | 45° | a | 7 |  |
| 112999 |    |  |   |             | 88                  | IN | 39.5 | 117.0 | 8.0 | 60° | a | 7 |  |
| 113000 |    |  |   |             | TURBO DIESES        | EX | 33.5 | 117.5 | 8.7 | 45° | a | 7 |  |

## LEYLAND

|          |  |  |   |             |  |    |      |       |     |     |   |   |  |
|----------|--|--|---|-------------|--|----|------|-------|-----|-----|---|---|--|
| 10616646 |  |  | 4 | LEYLAND 401 |  | IN | 45.7 | 145.9 | 8.7 | 45° | a | 7 |  |
| 10618851 |  |  |   |             |  | EX | 42.7 | 145.9 | 8.7 | 45° | a | 7 |  |

## LISTER

|        |    |  |   |            |                                 |               |      |       |      |     |   |   |  |
|--------|----|--|---|------------|---------------------------------|---------------|------|-------|------|-----|---|---|--|
| V3642  | 61 |  | 4 | 201-19350  | SL 1/2/3/4<br>LD111             | IN            | 32.3 | 119.9 | 8.0  | 45° | a | 7 |  |
| V3621  | 67 |  |   | 201-19360  | LR                              | EX            | 29.4 | 119.9 | 8.00 | 45° | a | 7 |  |
| V3643  | 57 |  | 6 | 351-10361  | HA, HA2, FRD.                   | IN            | 46.8 | 137.5 | 9.6  | 45° | a | 7 |  |
| V3644  | 69 |  |   | 291-50150  | HA3, HS6, HIGH<br>SPEED AND 352 | EX            | 38.9 | 137.5 | 9.6  | 45° | a | 7 |  |
| V34296 |    |  | 2 | 351K-50402 | HR, HRW 2/3                     | IN            | 48.0 | 137.2 | 9.5  | 45° | a | 7 |  |
| V34297 |    |  | 6 | 351F-50430 | 4/6<br>HRWS 6                   | EX            | 40.8 | 137.2 | 9.5  | 45° | a | 7 |  |
| V34266 |    |  | 4 | 201-50871  | SR 1/2/3/4                      | IN            | 39.7 | 120.0 | 8.8  | 45° | a | 7 |  |
| V34267 | 67 |  |   | 201-50891  | SW1/2                           | EX            | 33.5 | 120.3 | 8.8  | 45° | a | 7 |  |
| V2947  | 49 |  |   | 201-10363  | LD1/2<br>LR1/2                  | IN<br>&<br>EX | 29.4 | 113.1 | 8.0  | 45° | a | 7 |  |
| 34955  |    |  |   | 201-80250  | ST                              | IN            | 42.6 | 120.1 | 8.7  | 45° | a | 7 |  |
| 34956  |    |  |   | 201-80241  |                                 | EX            | 35.6 | 120.7 | 8.7  | 45° | a | 7 |  |

**FIAT**

**ENGINE VALVE**

| PART NO. | YEA<br>R | ENGINE<br>MODEL | CYL | VEHICLE     |          | IN<br>EX | DIMENSIONS |       |     |     |    |    | REMARKS |
|----------|----------|-----------------|-----|-------------|----------|----------|------------|-------|-----|-----|----|----|---------|
|          |          |                 |     | NAME        | MODEL    |          | HD         | OL    | SD  | SA  | HS | CG |         |
|          |          |                 |     | FIAT 2000cc |          | IN       | 43.5       | 105.8 | 8.0 | 45° | c  | 7  |         |
|          |          |                 |     |             |          | EX       | 36.0       | 105.8 | 8.0 | 45° | a  | 7  |         |
| 4265695  |          |                 |     | FIAT 900cc  | FIAT 127 | IN       | 29.1       | 95.4  | 7.0 | 45° | c  | 7  |         |
| 4377979  |          |                 |     |             |          | EX       | 26.0       | 95.9  | 7.0 | 45° | d  | 7  |         |
|          |          |                 |     | FIAT 1500cc |          | IN       | 35.0       | 109.7 | 8.0 | 45° | a  | 15 |         |
|          |          |                 |     |             |          | EX       | 31.5       | 104.9 | 8.0 | 45° | a  | 15 |         |
|          |          |                 |     | FIAT 128    |          | IN       | 36.0       | 106.6 | 8.0 | 45° | a  | 7  |         |
|          |          |                 |     |             |          | EX       | 31.0       | 109.0 | 8.0 | 45° | a  | 7  |         |
|          | TIPO     |                 |     |             |          | IN       |            |       |     |     |    |    |         |
|          |          |                 |     |             | FIAT 128 | IN       | 36.0       | 108.6 | 8.0 | 45° | a  | 7  |         |
|          |          |                 |     |             |          | EX       | 31.0       | 109.0 | 8.0 | 45° | a  | 7  |         |
|          |          |                 |     |             | FIAT 132 | IN       | 42.5       | 106.5 | 8.0 | 45° | c  | 7  |         |
|          |          |                 |     |             |          | EX       | 36.4       | 105.8 | 8.0 | 45° | a  | 7  |         |
| 4621511  |          |                 |     |             | FIAT 480 | IN       | 44.0       | 126.0 | 8.0 | 45° | a  | 7  |         |
| 4673608  |          |                 |     |             |          | EX       | 37.0       | 125.5 | 8.0 | 45° | a  | 7  |         |

**HILLMAN**

|          |  |  |  |                           |        |    |      |       |     |     |   |   |          |
|----------|--|--|--|---------------------------|--------|----|------|-------|-----|-----|---|---|----------|
| 1218394  |  |  |  | HUNTER 1725               | PAYKAN | IN | 36.5 | 118.4 | 8.0 | 45° | c | 7 |          |
| 1218383  |  |  |  |                           |        | EX | 30.0 | 118.6 | 8.0 | 45° | a | 7 |          |
| 71262713 |  |  |  | AVENGER 1600<br>STD       | 100.8  | IN | 38.0 | 110.0 | 8.0 | 45° | c | 7 | 25552400 |
| 71250985 |  |  |  |                           |        | EX | 31.2 | 110.0 | 8.0 | 45° | c | 7 | 25552800 |
| 71262714 |  |  |  | AVENGER 1600<br>0.076 O/S | 100.9  | IN | 38.0 | 110.0 | 8.0 | 45° | c | 7 | 25552500 |
| 71250986 |  |  |  |                           |        | EX | 31.2 | 110.0 | 8.0 | 45° | c | 7 | 25552900 |
| 71262715 |  |  |  | AVENGER 1600<br>0.38 O/S  |        | IN | 38.0 | 110.0 | 8.3 | 45° | c | 7 | 25552600 |
| 71250987 |  |  |  |                           |        | EX | 31.2 | 110.0 | 8.3 | 45° | c | 7 | 25553000 |
| 71262716 |  |  |  | AVENGER 1600<br>0.74 O/S  |        | IN | 38.0 | 110.0 | 8.7 | 45° | c | 7 | 25552700 |
| 71250988 |  |  |  |                           |        | EX | 31.2 | 110.0 | 8.7 | 45° | c | 7 | 25553100 |

**FORD**

**ENGINE VALVE**

| PART NO.     | YEAR | ENGINE MODEL | CYL | VEHICLE        |  | IN EX | DIMENSIONS |       |     |     |    |    | REMARKS |
|--------------|------|--------------|-----|----------------|--|-------|------------|-------|-----|-----|----|----|---------|
|              |      |              |     | NAME           | MODEL                                    |       | HD         | OL    | SD  | SA  | HS | CG |         |
| V34059       | 65   |              | 4   | 723F6507/AAA   | "D" "M" & "N" SERIES                     | IN    | 45.0       | 155.6 | 9.6 | 60° | a  | 3  |         |
| V90163       | 68   |              | 6   | 723F6505/GAA   |  | EX    | 39.0       | 156.4 | 9.6 | 60° | a  | 3  |         |
| V34048       | 64   |              | 3   | C5NN65078      | DEXTA2000/2600<br>6600/6700<br>8600/8700 | IN    | 45.8       | 146.0 | 9.5 | 45° | a  | 3  |         |
| V34049       | 74   |              |     |                |  |       |            |       |     |     |    |    |         |
|              | 79   |              | 4   | C5NN6505E      | 5000                                     | EX    | 38.4       | 146.0 | 9.5 | 45° | d  | 15 |         |
| 42-13        |      |              |     | D3NN-6507A     | 2600-3600<br>4600-5600<br>6600-7600      | IN    | 46.0       | 145.6 | 9.5 | 45° | a  | 3  |         |
| 43-13        |      |              |     | D3NN-6505A     |  | EX    | 38.1       | 145.9 | 9.5 | 45° | a  | 15 |         |
|              |      |              |     | 711M-6507KA    | FIERA<br>3000-4000/PE                    | IN    | 38.0       | 110.9 | 7.9 | 45° | c  | 11 |         |
|              |      |              |     | 711M-6505GA    |  | EX    | 31.4       | 110.6 | 7.9 | 45° | a  | 11 |         |
|              |      |              |     | 70HM-6507D3C   | CORTINA                                  | IN    | 42.0       | 111.2 | 8.4 | 45° | c  | 11 |         |
|              |      |              |     | 70HM-6505D3C   |  | EX    | 36.0       | 110.5 | 8.0 | 45° | c  | 11 |         |
|              |      |              |     | FOHM-6507F-D3E |  | IN    | 42.0       | 111.3 | 8.4 | 45° | c  | 11 |         |
|              |      |              |     | FOHM-6505-D3E  |  | EX    | 36.0       | 110.7 | 8.0 | 45° | c  | 11 |         |
| 1S4G6507BB   |      | FIFSTA1.4    |     |                |  | IN    |            |       |     |     |    |    |         |
| 1S6G6505BA   |      | FIFSTA1.6    |     |                |  | EX    |            |       |     |     |    |    |         |
| 1S7G6507D7G  |      | FOCUS1.8     |     |                |  | IN    |            |       |     |     |    |    |         |
| 1S7G6505D7F  |      |              |     |                |  | EX    |            |       |     |     |    |    |         |
| U202-12-111A |      | FORD 2.2     |     |                |  | IN    |            |       |     |     |    |    |         |
| U202-12-121A |      |              |     |                |  | EX    |            |       |     |     |    |    |         |

**PERKINS**

|        |    |  |   |          |                          |    |      |       |     |     |   |   |         |
|--------|----|--|---|----------|--------------------------|----|------|-------|-----|-----|---|---|---------|
| V3363  | 53 |  | 3 | 31411281 | D3,152 MARINE            | IN | 39.0 | 114.3 | 8.0 | 45° | a | 7 |         |
| V3364  | -  |  |   | 31431591 | DIESEL                   | EX | 33.3 | 114.3 | 8.0 | 45° | c | 7 |         |
| V3365  | 70 |  |   | 31431641 | 4236 TRACTOR             | IN | 44.3 | 123.0 | 9.5 | 45° | a | 7 |         |
| V3366  | 60 |  |   | 31431109 | 6.354                    |    |      |       |     |     |   |   |         |
| V34789 | -  |  | 6 | 31431881 | 6.352(STD) MARINE DIESEL | EX | 36.6 | 123.2 | 9.5 | 45° | a | 7 |         |
|        |    |  |   |          |                          | EX | 36.5 | 123.3 | 9.5 | 45° | a | 7 |         |
|        |    |  | 6 | 31421401 |                          | IN | 44.5 | 123.0 | 9.6 | 45° | a | 7 | 0.1 O/S |
|        |    |  |   | 31431882 |                          | EX | 36.5 | 123.3 | 9.6 | 45° | a | 7 |         |
|        |    |  | 4 | 31431981 |                          | IN | 39.0 | 114.2 | 8.0 | 30° | c | 7 |         |
|        |    |  |   | 31431991 |                          | EX | 33.4 | 114.2 | 8.0 | 30° | a | 7 |         |

## KIA

## ENGINE VALVE

| PART NO.                       | YEAR | ENGINE MODEL            | CYL | VEHICLE |                     | IN EX    | DIMENSIONS   |                |            |            |        |        | REMARKS |
|--------------------------------|------|-------------------------|-----|---------|---------------------|----------|--------------|----------------|------------|------------|--------|--------|---------|
|                                |      |                         |     | NAME    | MODEL               |          | HD           | OL             | SD         | SA         | HS     | CG     |         |
| K95412111A<br>K01312121A       |      |                         | 4   |         | Sephia 1.6          | IN<br>EX | 33.7<br>28.9 | 103.4<br>104.0 | 6.0<br>6.0 | 45°<br>45° | c<br>a | 7<br>7 |         |
| K9BV12111<br>K566-12121        |      |                         | 4   |         |                     | IN<br>EX | 31.5<br>27.6 | 89.6<br>90.1   | 6.0<br>6.0 | 45°<br>45° | c<br>a | 7<br>7 |         |
| B6S712111<br>K93812121         |      |                         | 4   |         |                     | IN<br>EX | 31.0<br>26.2 | 105.2<br>105.2 | 6.0<br>6.0 | 45°<br>45° | c<br>c | 7<br>7 |         |
| MB30112111<br>KK15012121       |      |                         | 4   |         |                     | IN<br>EX | 32.0<br>28.0 | 105.3<br>104.1 | 7.0<br>7.0 | 45°<br>45° | c<br>c | 7<br>7 |         |
| B3C712111<br>B3D212121         |      | <b>B3/B6</b>            |     |         |                     | IN<br>EX | 25.5<br>21.5 | 108.3<br>109.3 | 6.0<br>6.0 | 45°<br>45° | d<br>d | 7<br>7 |         |
| OVN0112111<br>OVN0112121       |      | <b>KIA<br/>BEST2700</b> | 4   |         |                     | IN<br>EX | 41.1<br>35.0 | 114.5<br>114.6 | 9.0<br>9.0 | 45°<br>45° | c<br>c | 7<br>7 |         |
| OK054-12-111<br>OK054-12-121   |      |                         |     |         | SPORTAE 2.6TD<br>RF | IN<br>EX | 39.4<br>35.1 | 107.0<br>106.0 | 8.0<br>8.0 |            |        |        |         |
| OK65A-12-111A<br>OK65A-12-121A |      |                         |     |         | KIA1.4              | IN<br>EX | 44.0<br>37.3 | 112.7<br>112.8 | 8.5<br>8.5 | 45°<br>45° | d<br>d | 7<br>7 |         |
| K638-12-111<br>K638-12-121     |      |                         |     |         | BOX                 | IN<br>EX |              |                |            |            |        |        |         |

## SCANIA

|                                |  |              |   |  |  |          |  |  |  |  |  |  |  |
|--------------------------------|--|--------------|---|--|--|----------|--|--|--|--|--|--|--|
| 1778492                        |  |              | 6 |  |  | IN       |  |  |  |  |  |  |  |
| 1319081<br>1360833             |  |              | 6 |  |  | IN<br>EX |  |  |  |  |  |  |  |
| 1477022<br>1445830             |  | <b>DSC12</b> | 6 |  |  | IN<br>EX |  |  |  |  |  |  |  |
| 13975215B6850<br>352211NA5681  |  | <b>113</b>   | 6 |  |  | IN<br>EX |  |  |  |  |  |  |  |
| 1333230YB6850<br>1407997YA6850 |  |              | 6 |  |  | IN<br>EX |  |  |  |  |  |  |  |

## VOLKSWAGEN / AUDI

|                              |  |                        |   |  |   |          |              |                |            |            |        |          |                              |
|------------------------------|--|------------------------|---|--|---|----------|--------------|----------------|------------|------------|--------|----------|------------------------------|
| 056-109-601A<br>056-109-611A |  |                        |   |  |   | IN<br>EX | 34.0<br>31.2 | 99.0<br>98.5   | 8.0<br>8.0 | 45°<br>45° | a<br>d | 11<br>11 |                              |
|                              |  |                        |   |  | V.W. 1300                               | IN<br>EX | 33.1<br>31.8 | 111.6<br>111.6 | 8.0<br>8.0 | 45°<br>45° | d<br>c | 11<br>11 |                              |
| 311-109-601<br>113-109-612A  |  | <b>62/70<br/>56/74</b> | 4 |  | V.W. 1500<br>V.W. 1600                  | IN<br>EX | 35.5<br>32.0 | 112.0<br>112.0 | 8.0<br>8.0 | 45°<br>45° | c<br>d | 11<br>11 |                              |
| 049-109-601<br>026-109-611A  |  |                        | 4 |  | V.W. 1800<br>(SANTANA)<br>AUDI 5000 GAS | IN<br>EX | 38.0<br>33.0 | 91.5<br>91.1   | 8.0<br>8.0 | 45°<br>45° | a<br>a | 11<br>11 | 035-109-601H<br>035-109-611H |
| 030-109-601C<br>030-109-611A |  |                        |   |  | V.W. GOLF                               | IN<br>EX | 36.0<br>28.9 | 99.3<br>99.0   | 8.0<br>8.0 | 45°<br>45° | c<br>c | 11<br>11 |                              |



**RENAULT**

**ENGINE VALVE**

| PART NO.     | YEAR | ENGINE MODEL | CYL | VEHICLE   |                      | IN<br>EX | DIMENSIONS |       |     |     |    |    | REMARKS    |
|--------------|------|--------------|-----|-----------|----------------------|----------|------------|-------|-----|-----|----|----|------------|
|              |      |              |     | NAME      | MODEL                |          | HD         | OL    | SD  | SA  | HS | CG |            |
|              |      |              | 4   | R4        |                      | IN       | 28.2       | 73.0  | 7.0 | 45° | d  | 7  |            |
|              |      |              |     |           |                      | EX       | 25.0       | 73.7  | 7.0 | 45° | d  | 8  |            |
|              |      |              |     | 4L<br>R4L |                      | IN       | 28.2       | 73.2  | 7.0 | 45° | d  | 3  |            |
|              |      |              |     |           |                      | EX       | 25.0       | 73.7  | 7.0 | 45° | d  | 8  |            |
| 7701458186/0 |      |              | 4   | R5, R12   | RENAULT<br>1100/1300 | IN       | 33.3       | 89.8  | 7.0 | 45° | c  | 7  | 7700509771 |
| 7701458190   |      |              |     | R5GTL     |                      | EX       | 30.3       | 89.2  | 7.0 | 45° | c  | 8  | 7700505115 |
| 770561318    |      | <b>688</b>   |     | 4S        |                      | IN       | 33.3       | 89.8  | 7.0 | 45° | c  | 3  |            |
| 7700505115   |      |              |     |           |                      | EX       | 30.1       | 89.2  | 7.0 | 45° | c  | 8  |            |
| 7700639627   |      |              |     | 18TL      |                      | IN       | 34.0       | 91.5  | 7.0 | 30° | c  | 7  | 7700561319 |
| 7701462137   |      |              |     |           |                      |          |            |       |     |     |    |    |            |
| 7700638247   |      |              |     |           |                      | EX       | 29.0       | 89.0  | 7.0 | 45° | c  | 8  | 7700505115 |
| 7700629763   |      |              |     | 18GTS     |                      | IN       | 36.0       | 105.0 | 8.0 | 45° | c  | 7  |            |
| 7700639199   |      |              |     | R18       |                      | EX       | 31.5       | 103.7 | 8.0 | 45° | c  | 11 |            |
| 7701463081   |      |              |     | R21       |                      | IN       | 38.0       | 111.5 | 8.0 | 30° | a  | 7  |            |
| 7701463510   |      |              |     |           |                      | EX       | 32.4       | 111.4 | 8.0 | 45° | c  | 7  |            |
|              |      |              |     |           | RENAULT2000          | IN       | 44.0       | 112.0 | 8.0 | 30° | c  | 7  |            |
|              |      |              |     | 18TX      |                      | EX       | 38.6       | 111.4 | 7.0 | 45° |    |    |            |
| TT01462137   |      |              |     |           |                      | IN       | 34.0       | 91.5  | 7.0 | 45° | c  | 7  |            |
|              |      |              |     | R9, R11   | RENAULT 1400         |          |            |       |     |     |    |    |            |
| TT01461802   |      |              |     |           |                      | EX       | 29.0       | 89.0  | 7.0 | 45° | c  | 8  |            |

**DAEWOO**

|             |  |              |    |        |             |    |      |       |     |     |   |    |  |
|-------------|--|--------------|----|--------|-------------|----|------|-------|-----|-----|---|----|--|
| 90215492    |  |              | 8  | CIELO  |             | IN | 38.0 | 101.3 | 7.0 | 45° | c | 7  |  |
| 90215491    |  |              |    |        |             | EX | 31.0 | 101.4 | 7.0 | 45° | c | 7  |  |
| 96182806    |  |              | 16 | NUBIRA |             | IN | 30.3 | 102.4 | 6.0 | 45° | c | 7  |  |
| 96182805    |  |              |    |        |             | EX | 26.0 | 102.1 | 6.0 | 45° | c | 7  |  |
| 12911-78B00 |  | <b>F8C</b>   | 4  |        |             | IN | 35.6 | 110.6 | 5.5 | 45° | c | 7  |  |
| 96352793    |  |              |    |        |             |    |      |       |     |     |   |    |  |
| 12915-78B00 |  |              |    |        |             | EX | 31.8 | 110.4 | 5.5 | 45° | c | 7  |  |
| 90412277    |  | <b>X20XE</b> | 8  |        | LEGANZA 16V | IN | 32.0 | 102.1 | 6.0 | 45° | c | 11 |  |
| 90410813    |  |              |    |        |             | EX | 29.0 | 92.2  | 6.0 | 45° | c | 11 |  |
| 2848        |  |              | 6  |        |             | IN |      |       |     |     |   |    |  |
| 2848        |  |              |    |        |             | EX |      |       |     |     |   |    |  |
| 1146        |  |              | 6  |        |             | IN |      |       |     |     |   |    |  |
| 1146        |  |              |    |        |             | EX |      |       |     |     |   |    |  |

## VOLKSWAGEN/AUDL

## ENGINE VALVE

| PART NO.     | YEAR | ENGINE MODEL | CYL | VEHICLE       |       | IN EX | DIMENSIONS |       |     |     |    |    | REMARKS      |
|--------------|------|--------------|-----|---------------|-------|-------|------------|-------|-----|-----|----|----|--------------|
|              |      |              |     | NAME          | MODEL |       | HD         | OL    | SD  | SA  | HS | CG |              |
| 056-109-601A |      |              |     |               |       | IN    | 34.0       | 99.0  | 8.0 | 45° | a  | 11 |              |
| 056-109-611A |      |              |     |               |       | EX    | 31.2       | 98.5  | 8.0 | 45° | d  | 11 |              |
|              |      |              |     | V.W. 1300     |       | IN    | 33.1       | 111.6 | 8.0 | 45° | d  | 11 |              |
|              |      |              |     |               |       | EX    | 31.8       | 111.6 | 8.0 | 45° | c  | 11 |              |
| 311-109-601  |      | <b>62/70</b> | 4   | V.W. 1500     |       | IN    | 35.5       | 112.0 | 8.0 | 45° | c  | 11 |              |
| 113-109-612A |      | <b>56/74</b> |     | V.W. 1600     |       | EX    | 32.0       | 112.0 | 8.0 | 45° | d  | 11 |              |
| 049-109-601  |      |              | 4   | V.W. 1800     |       | IN    | 38.0       | 91.5  | 8.0 | 45° | a  | 11 | 035-109-601H |
|              |      |              |     | (SANTANA)     |       |       |            |       |     |     |    |    |              |
| 026-109-611A |      |              |     | AUDI 5000 GAS |       | EX    | 33.0       | 91.1  | 8.0 | 45° | a  | 11 | 035-109-611H |
| 030-109-601C |      |              |     | V.W. GOLF     |       | IN    | 36.0       | 99.3  | 8.0 | 45° | c  | 11 |              |
| 030-109-611A |      |              |     |               |       | EX    | 28.9       | 99.0  | 8.0 | 45° | c  | 11 |              |

## PEUGEOT

|         |  |            |   |                 |               |    |      |       |     |     |   |   |         |
|---------|--|------------|---|-----------------|---------------|----|------|-------|-----|-----|---|---|---------|
| 0948-30 |  | <b>204</b> | 4 | PEUGEOT 204     |               | IN | 37.0 | 126.4 | 8.0 | 60° | c | 7 |         |
| 0949-28 |  |            |   |                 |               | EX | 29.5 | 125.5 | 8.0 | 45° | c | 7 |         |
| 0948-47 |  | <b>305</b> | 4 | PEUGEOT 305     |               | IN | 40.0 | 109.0 | 8.0 | 45° | c | 7 |         |
| 0949-52 |  |            |   |                 |               | EX | 33.0 | 108.2 | 8.0 | 45° | a | 7 |         |
| 0948-34 |  | <b>404</b> | 4 | PEUGEOT 404     |               | IN | 41.5 | 118.5 | 8.0 | 60° | c | 7 | 0948-30 |
| 0949-21 |  |            |   |                 |               | EX | 35.5 | 112.0 | 8.0 | 45° | c | 7 | 0949-21 |
| 0948-33 |  | <b>504</b> | 4 | PEUGEOT 504     | 504           | IN | 42.5 | 118.5 | 8.0 | 60° | c | 7 | 0948-29 |
|         |  |            |   |                 | 504 INYECCION |    |      |       |     |     |   |   |         |
|         |  |            |   |                 | 1.8L          |    |      |       |     |     |   |   |         |
| 0949-27 |  |            |   |                 |               | EX | 35.5 | 112.0 | 8.0 | 45° | c | 7 |         |
| 0948-55 |  | <b>505</b> | 4 | PEUGEOT 505     | 505           | IN | 42.6 | 118.6 | 8.0 | 60° | c | 7 |         |
|         |  |            |   |                 | 505 INYECCION |    |      |       |     |     |   |   |         |
|         |  |            |   |                 | 2.0L          |    |      |       |     |     |   |   |         |
| 0949-55 |  |            |   |                 |               | EX | 35.6 | 112.1 | 8.0 | 45° | c | 7 |         |
| 0948-27 |  | <b>404</b> | 4 | PEUGEOT 404(D)  |               | IN | 40.4 | 117   | 8.5 | 45° | c | 7 |         |
| 0949-27 |  |            |   |                 |               |    |      |       |     |     |   |   |         |
| 0949-25 |  |            |   |                 |               | EX | 33.5 | 116.2 | 8.5 | 45° | a | 7 |         |
| 0948-34 |  | <b>504</b> | 4 | PEUGEOT 504 (D) |               | IN | 40.4 | 116.3 | 8.5 | 45° | c | 7 |         |
| 0948-37 |  |            |   |                 |               |    |      |       |     |     |   |   |         |
| 0949-25 |  |            |   |                 |               | EX | 33.5 | 116.4 | 8.5 | 45° | a | 7 |         |
| 0948-37 |  | <b>505</b> | 4 | PEUGEOT 505(0)  |               | IN | 40.4 | 116.3 | 8.5 | 45° | a | 7 |         |
|         |  |            |   |                 |               |    |      |       |     |     |   |   |         |
| 0949-25 |  |            |   |                 |               | EX | 33.5 | 116.4 | 8.5 | 45° | a | 7 |         |

YANMAR

ENGINE VALVE

| PART NO.     | YEAR | ENGINE MODEL | CYL | VEHICLE    |       | IN EX | DIMENSIONS |       |       |     |    |    | REMARKS |
|--------------|------|--------------|-----|------------|-------|-------|------------|-------|-------|-----|----|----|---------|
|              |      |              |     | NAME       | MODEL |       | HD         | OL    | SD    | SA  | HS | CG |         |
|              |      |              |     | TA70       |       | IN    | 33.0       | 88.5  | 7.0   | 45° | a  | 3  |         |
|              |      |              |     | A7         |       |       |            |       |       |     |    |    |         |
|              |      |              |     | SA70       |       | EX    | 27.0       | 88.5  | 7.0   | 45° | a  | 3  |         |
|              |      |              |     | TA80       |       | IN    | 36.0       | 95.0  | 7.0   | 45° | a  | 3  |         |
|              |      |              |     | A8         |       | EX    | 30.0       | 95.0  | 7.0   | 45° | a  | 3  |         |
|              |      |              |     | SA80       |       |       |            |       |       |     |    |    |         |
|              |      |              |     | TF60       |       | IN    | 29.0       | 80.3  | 7     | 60° |    |    |         |
|              |      |              |     |            |       | EX    | 24.5       | 80.0  | 7     | 45° |    |    |         |
|              |      |              |     | TF75       |       | IN    | 33.0       | 84.0  | 7.0   | 60° | a  | 3  |         |
|              |      |              |     | TF85       |       | EX    | 28.0       | 83.5  | 7.0   | 45° | a  | 3  |         |
|              |      |              |     | TF90       |       | IN    | 32.5       | 84    | 7.0   | 60° |    |    |         |
|              |      |              |     |            |       | EX    | 27.5       | 83.6  | 7.0   | 45° |    |    |         |
|              |      |              |     | TF105      |       | IN    | 37.0       | 96.4  | 8.0   | 60° | a  | 3  |         |
|              |      |              |     |            |       | EX    | 31.0       | 96.4  | 8.0   | 45° | a  | 3  |         |
|              |      |              |     | TF120      |       | IN    | 37.0       | 96.4  | 8.0   | 60° |    |    |         |
|              |      |              |     |            |       | EX    | 31.0       | 96    | 8.0   | 45° |    |    |         |
|              |      |              |     | TF160      |       | IN    | 42.0       | 106.0 | 9.0   | 60° |    |    |         |
|              |      |              |     |            |       | EX    | 35.5       | 106   | 9.0   | 45° |    |    |         |
|              |      |              |     | SK230      |       | IN    | 29.0       | 87.2  | 7.0   | 45° | a  | 3  |         |
|              |      |              |     |            |       | EX    | 26.0       | 87.3  | 7.0   | 45° | a  | 3  |         |
| BBY100205    |      |              |     | T240       |       | IN    | 80.0       | 338   | 15.92 | 60° |    |    |         |
| BBY100206    |      |              |     |            |       | EX    | 80.0       | 348   | 15.92 | 45° |    |    |         |
|              |      |              |     | D800       |       | IN    | 30.0       | 92.2  | 6.6   | 45° | a  | 7  |         |
|              |      |              |     |            |       | EX    | 28.0       | 91.7  | 6.6   | 45° | a  | 7  |         |
|              |      |              |     | YM3T72     |       | IN    | 31.0       | 89.95 | 7.0   | 45° |    |    |         |
|              |      |              |     |            |       | EX    | 27.5       | 89.95 | 7.0   | 45° |    |    |         |
|              |      |              |     | YM3TNE68   |       | IN    | 27.0       | 77.2  | 5.5   | 30° |    |    |         |
|              |      |              |     |            |       | EX    | 23.0       | 76.6  | 5.5   | 45° |    |    |         |
|              |      |              |     | YM3D72     | 878CC | IN    | 29.5       | 87.0  | 7.0   | 60° |    |    |         |
|              |      |              |     |            |       | EX    | 25.0       | 87.2  | 7.0   | 45° |    |    |         |
| 129900-11100 |      |              |     | YM4TNE94   |       | IN    | 41.0       | 115   | 8.0   | 30° |    |    |         |
| 129900-11110 |      |              |     | 4D94E      |       | EX    | 35.0       | 115.2 | 8.0   | 45° |    |    |         |
|              |      |              |     | 3T84       |       | IN    | 30.0       | 113.0 | 8.0   | 45° |    |    |         |
|              |      |              |     | K3H        |       | EX    | 28.0       | 113.0 | 8.0   | 45° |    |    |         |
| 129322-11100 |      |              |     | 3D84       |       | IN    | 37.0       | 100.4 | 8.0   | 30° |    |    |         |
| 129322-11110 |      |              |     |            |       | EX    | 31.0       | 100.0 | 8.0   | 45° |    |    |         |
|              |      |              |     | 3D84 (OLD) |       | IN    | 36.3       | 100.4 | 8.0   | 45° |    |    |         |
|              |      |              |     |            |       | EX    | 30.4       | 100.0 | 8.0   | 45° |    |    |         |
|              |      |              |     | 3D84 (NEW) |       | IN    | 35.0       | 109.0 | 8.0   | 60° |    |    |         |
|              |      |              |     |            |       | EX    | 30.0       | 109.0 | 8.0   | 45° |    |    |         |
| 129100-11100 |      |              |     | 3D84L      |       | IN    | 35.0       | 109.0 | 8.0   | 30° |    |    |         |
| 129100-11112 |      |              |     | 3TN84      |       | EX    | 30.0       | 109.0 | 8.0   | 45° |    |    |         |
|              |      |              |     | 3TN100     |       | IN    | 43.5       | 121.0 | 9.0   | 60° |    |    |         |
|              |      |              |     |            |       | EX    | 37.5       | 121.0 | 9.0   | 45° |    |    |         |
|              |      |              |     | 4D85       |       | IN    | 33.2       | 101.5 | 8.0   | 45° |    |    |         |
|              |      |              |     |            |       | EX    | 27.0       | 101.5 | 8.0   | 45° |    |    |         |
|              |      |              |     | 4TNV94     |       | IN    | 33.0       | 102.8 | 7.0   |     |    |    |         |
|              |      |              |     |            |       | EX    | 28.0       | 102.8 | 7.0   |     |    |    |         |

**YANMAR**

**ENGINE VALVE**

| PART NO.  | YEAR | ENGINE MODEL | CYL | VEHICLE       |       | IN EX    | DIMENSIONS   |                |                |            |    |    | REMARKS |
|---|------|--------------|-----|---------------|-------|----------|--------------|----------------|----------------|------------|----|----|---------|
|   |      |              |     | NAME          | MODEL |          | HD           | OL             | SD             | SA         | HS | CG |         |
| 148616-11101<br>148616-11111                              |      |              |     | 6LA-DT        |       | IN<br>EX | 49.0<br>49.0 | 180<br>180     | 11<br>11       | 60°<br>45° |    |    |         |
| 126634-11101<br>126634-11111                              |      |              |     | 6HA-DT        |       | IN<br>EX | 43.0<br>43.0 | 161<br>161     | 9.94<br>9.94   | 60°<br>45° |    |    |         |
| 126650-11100<br>126650-11110                              |      |              |     | 6HA-HT        |       | IN<br>EX | 57.5<br>47.0 | 158.5<br>158.5 | 11.9<br>11.9   | 60°<br>45° |    |    |         |
| 127616-11100<br>127616-11110                              |      |              |     | 6CH-DT        |       | IN<br>EX | 35.0<br>35.0 | 131.2<br>131.0 | 8.0<br>8.0     | 60°<br>45° |    |    |         |
| 127610-11100<br>127610-11110                              |      |              |     | 6CH-HT        |       | IN<br>EX | 47.0<br>39.0 | 135.1<br>135.0 | 9.94<br>9.95   | 60°<br>45° |    |    |         |
| 128619-11100<br>128619-11110                              |      |              |     | 6GH           |       | IN<br>EX | 39.0<br>40.0 | 145.1<br>145.1 | 9.0<br>9.0     | 60°<br>45° |    |    |         |
| 144679-11100<br>144679-11110                              |      |              |     | 6KH           |       | IN<br>EX | 44.0<br>44.0 | 165.9<br>165.9 | 10.0<br>10.0   | 60°<br>45° |    |    |         |
| BBY100265<br>BBY100266                                    |      |              |     | 6GL           |       | IN<br>EX | 80.0<br>80.0 | 345.5<br>364.5 | 18.0<br>17.9   | 45°<br>45° |    |    |         |
| 146673-11720<br>BY0800100<br>BY0800200                    |      |              |     | 6NY21L/6N21AL |       | IN<br>EX | 68.0<br>68.0 | 308.2<br>308.0 | 14.0<br>14.0   | 60°<br>60° |    |    |         |
| BY0700100<br>BY0700200                                    |      |              |     | 6N18L         |       | IN<br>EX | 58.0<br>58.0 | 287.2<br>287.0 | 14.0<br>14.0   | 60°<br>60° |    |    |         |
| 2440<br>2441  |      |              |     | KL            |       | IN<br>EX | 62.8<br>58.0 | 188.0<br>188.0 | 13.9<br>13.9   | 60°<br>60° |    |    |         |
| BY050010B<br>BY050020A                                    |      |              |     | M200          |       | IN<br>EX | 66.0<br>66.0 | 282.1<br>283.0 | 13.93<br>13.92 | 60°<br>45° |    |    |         |
| BY990020A<br>BY990030A                                    |      |              |     | M220          |       | IN<br>EX | 73.0<br>73.0 | 304.5<br>304.5 | 15.92<br>15.84 | 60°<br>45° |    |    |         |
|   |      |              |     | MAL           |       | IN<br>EX | 83.0<br>78.0 | 281.1<br>281.1 | 17.90<br>17.90 | 60°<br>60° |    |    |         |
|   |      |              |     | 6R            |       | IN<br>EX | 72.0<br>72.0 | 237.7<br>237.7 | 15.88<br>15.88 | 60°<br>60° |    |    |         |
|   |      |              |     | LD            |       | IN<br>EX | 58.0<br>58.0 | 188.0<br>188.0 | 13.92<br>13.92 | 60°<br>60° |    |    |         |
| 152623-11100<br>BY-02-0010A<br>152623-11131A<br>BY-02-004 |      |              |     | S165          |       | IN<br>EX | 55.0<br>55.0 | 223.0<br>223.0 | 12.0<br>12.0   | 60°<br>45° |    |    |         |
| BY040010A<br>BY040020A                                    |      |              |     | S185          |       | IN<br>EX | 62.0<br>62.0 | 282.0<br>282.0 | 13.9<br>13.9   | 60°<br>45° |    |    |         |
|   |      |              |     | 6RY           |       |          | 56.0         | 223.0          | 12.0           | 45°        |    |    |         |
|   |      |              |     | 6RY           |       |          | 52.5         | 195.0          | 11.0           | 45°        |    |    |         |

**YANMAR((AGRIMOTOR))**

**ENGINE VALVE**

| PART NO.     | YEAR | ENGINE MODEL | CYL | VEHICLE        |       | IN EX | DIME |       |      |     |    |    | REMARKS |
|--------------|------|--------------|-----|----------------|-------|-------|------|-------|------|-----|----|----|---------|
|              |      |              |     | NAME           | MODEL |       | HD   | OL    | SD   | SA  | HS | CG |         |
| 173200-11100 |      |              |     | F4<br>NT65     |       | IE    | 27.0 | 93.5  | 7.0  | 60° | a  | 3  |         |
| 101204-11100 |      |              |     | F5<br>NT70     |       | IE    | 29.0 | 104.0 | 7.0  | 60° | a  | 3  |         |
| 101300-11100 |      |              |     | F6<br>NT75     |       | IE    | 31.0 | 107.0 | 8.0  | 60° | a  | 3  |         |
| 102700-11100 |      |              |     | F7<br>NT80     |       | IE    | 33.0 | 112.0 | 8.0  | 60° | a  | 3  |         |
| 101400-11100 |      |              |     | NT85           |       | IE    | 35.0 | 118.0 | 9.0  | 60° | a  | 3  |         |
| 173500-11100 |      |              |     | NT95           |       | IE    | 40.0 | 130.0 | 10.0 | 60° | a  | 3  |         |
| 103300-11100 |      |              |     | NT110          |       | IE    | 47.0 | 167.0 | 12.0 | 60° | a  | 3  |         |
| 104100-11100 |      |              |     | TS50,TH3       |       | IN    | 29.0 | 92.5  | 7.0  | 45° | a  | 3  |         |
| 104100-11110 |      |              |     |                |       | EX    | 25.0 | 92.5  | 7.0  | 45° | a  | 3  |         |
| 104200-11100 |      |              |     | TS60,TH4       |       | IN    | 32.0 | 96.8  | 7.0  | 45° | a  | 3  |         |
| 104200-11110 |      |              |     |                |       | EX    | 27.0 | 96.8  | 7.0  | 45° | a  | 3  |         |
| 101218-11100 |      |              |     | TS70/80<br>TH6 |       | IN    | 33.5 | 106.0 | 7.0  | 45° | a  | 3  |         |
| 101218-11110 |      |              |     | TH5            |       | EX    | 27.5 | 106.0 | 7.0  | 45° | a  | 3  |         |
| 103438-11100 |      |              |     | TS105          |       | IN    | 36.5 | 113.0 | 8.0  | 45° | a  | 2  |         |
| 103438-11110 |      |              |     | TH7            |       | EX    | 30.5 | 113.0 | 8.0  | 45° | a  | 2  |         |
| 104600-11100 |      |              |     | TS130<br>A12   |       | IN    | 38.5 | 114.0 | 8.0  | 45° | a  | 3  |         |
| 104600-11110 |      |              |     | TH8            |       | EX    | 32.5 | 114.0 | 8.0  | 45° | a  | 3  |         |
| 103854-11100 |      |              |     | TS155          |       | IN    | 40.0 | 126.0 | 9.0  | 45° | a  | 7  |         |
| 103854-11110 |      |              |     | TH10           |       | EX    | 36.0 | 126.0 | 9.0  | 45° | a  | 7  |         |
| 103954-11110 |      |              |     | TS180          |       | IN    | 43.0 | 125.0 | 9.0  | 45° | a  | 7  |         |
| 103954-11110 |      |              |     | TH13           |       | EX    | 33.5 | 125.0 | 9.0  | 45° | a  | 7  |         |
| 105990-11100 |      |              |     | TS190/TS230    |       | IN    | 49.0 | 136.0 | 9.0  | 60° |    |    |         |
| 105990-11110 |      |              |     |                |       | EX    | 39.0 | 136.0 | 9.0  | 45° |    |    |         |
| 106990-11110 |      |              |     |                |       |       |      |       |      |     |    |    |         |

**HYUNDAI**

**ENGINE VALVE**

| PART NO.    | YEAR | ENGINE MODEL           | CYL | VEHICLE |                       | IN<br>EX | DIME |       |     |     |    |    | REMARKS |
|-------------|------|------------------------|-----|---------|-----------------------|----------|------|-------|-----|-----|----|----|---------|
|             |      |                        |     | NAME    | MODEL                 |          | HD   | OL    | SD  | SA  | HS | CG |         |
| 22211-22003 |      |                        | 8   |         | ACCENT<br>1.3-1.5 12V | IN       | 27.4 | 99.0  | 6.0 | 45° | d  | 7  |         |
| 22212-22011 |      |                        | 4   |         | LANTRA1.5 12V         | EX       | 32.0 | 98.4  | 6.0 | 45° | c  | 7  |         |
| 22211-42220 |      | <b>4DBA/<br/>BB</b>    | 4   |         | SHAHZORE<br>H100      | IN       | 42.0 | 132.0 | 8.0 | 45° |    |    |         |
| 22212-42220 |      |                        |     |         |                       | EX       | 36.0 | 132.0 | 8.0 | 45° |    |    |         |
| 2211-42200  |      |                        | 4   |         | STARLEX<br>H-1 2.5TD  | IN       | 42.0 | 135.5 | 8.0 | 45° | d  | 7  |         |
| 22212-42200 |      | <b>D4BB<br/>Diesel</b> |     |         |                       | EX       | 36.0 | 135.5 | 8.0 | 45° | d  | 7  |         |
| 22211-23000 |      |                        |     |         | LANTRA2.0             | IN       | 32.0 | 102.3 | 6.0 | 45° | c  | 2  |         |
| 22212-23000 |      | <b>64DM</b>            |     |         | 16V                   | EX       | 27.5 | 104.7 | 6.0 | 45° | A  | 2  |         |
|             |      |                        |     |         | 12V                   | IN       | 32.0 | 102.3 | 6.0 | 45° | c  | 7  |         |
|             |      | <b>G4HC</b>            |     |         |                       | EX       | 23.5 | 100.4 | 5.5 | 45° | c  | 7  |         |
| 22211-02200 |      |                        | 8   |         |                       | IN       |      |       |     |     |    |    |         |
| 22212-02200 |      |                        | 4   |         |                       | EX       |      |       |     |     |    |    |         |
| 22211-02500 |      |                        | 8   |         | SANTRO                | IN       | 23.0 | 100.4 | 5.5 | 45° |    |    |         |
| 22212-02500 |      |                        | 4   |         |                       | EX       | 27.0 | 100.1 | 5.5 | 45° |    |    |         |

**KUBOTA**

|              |  |               |  |  |  |    |      |       |     |     |  |  |  |
|--------------|--|---------------|--|--|--|----|------|-------|-----|-----|--|--|--|
|              |  | <b>E8</b>     |  |  |  | IN | 34.0 | 88.7  | 7.0 | 45° |  |  |  |
|              |  |               |  |  |  | EX | 29.0 | 88.7  | 7.0 | 45° |  |  |  |
|              |  | <b>E9</b>     |  |  |  | IN | 38.2 | 93.2  | 8.0 | 45° |  |  |  |
|              |  |               |  |  |  | EX | 32.0 | 93.2  | 8.0 | 45° |  |  |  |
|              |  | <b>E20</b>    |  |  |  | IN | 48.0 | 125.7 | 9.0 | 45° |  |  |  |
|              |  |               |  |  |  | EX | 40.0 | 125.3 | 9.0 | 45° |  |  |  |
| 19517-13110  |  | <b>ER2500</b> |  |  |  | IN | 52.0 | 125.0 | 9.0 | 45° |  |  |  |
| 19517-13120  |  |               |  |  |  | EX | 43.0 | 125.0 | 9.0 | 45° |  |  |  |
| 15221-13110  |  | <b>Z75</b>    |  |  |  | IN | 33.0 | 101.0 | 8.0 | 45° |  |  |  |
| 15221-13120  |  |               |  |  |  | EX | 27.0 | 101.0 | 8.0 | 45° |  |  |  |
| 15901-13112  |  | <b>ZB600</b>  |  |  |  | IN | 31.0 | 89.6  | 7.0 | 60° |  |  |  |
| 15901-12122  |  |               |  |  |  | EX | 27.5 | 89.6  | 7.0 | 45° |  |  |  |
| 14109-1314-2 |  | <b>KND45</b>  |  |  |  | IE | 28.0 | 110.0 | 7.0 | 45° |  |  |  |
|              |  | <b>RK125</b>  |  |  |  | IN | 40.0 | 93.3  | 8.0 | 45° |  |  |  |
|              |  |               |  |  |  | EX | 34.0 | 93.3  | 8.0 | 45° |  |  |  |
|              |  | <b>L2000</b>  |  |  |  | IN | 33.0 | 100.8 | 8.0 | 45° |  |  |  |
|              |  |               |  |  |  | EX | 27.0 | 101.4 | 8.0 | 45° |  |  |  |
|              |  | <b>V2203</b>  |  |  |  | IN | 37.5 | 101.5 | 8.0 | 45° |  |  |  |
|              |  |               |  |  |  | EX | 32.0 | 101.5 | 8.0 | 45° |  |  |  |

## CATARILLAR

## ENGINE VALVE

| MARKER | VEHICLE MODEL     | IN/EX | REFERENCE NO.              |  |
|--------|-------------------|-------|----------------------------|--|
|        | 3304T             | IN    | 7N0572<br>6N9915           |  |
|        |                   | EX    | 7N0573<br>6N9916           |  |
|        | 3304NT<br>6DC/D4D | IN    | 5S6452                     |  |
|        |                   | EX    | 5S7273<br>5S6449           |  |
|        | 3204NA            | IN    | 8N5645                     |  |
|        |                   | EX    | 8N0875                     |  |
|        | 3204T             | IN    | 9L7682                     |  |
|        |                   | EX    | 9L7683                     |  |
|        | 3304T             | IN    | 6N9915                     |  |
|        |                   | EX    | 6N9916                     |  |
|        | NAT               | IN    | 9N0180                     |  |
|        |                   | EX    | 9N0185                     |  |
|        | 6DC<br>D4D        | IN    | 7M7817                     |  |
|        |                   | EX    | 9M4163<br>7M7359           |  |
|        | D9                | IN    |                            |  |
|        |                   | EX    | 8H7097<br>8H3723           |  |
|        | D7<br>D8          | IN    | 2A3447<br>2A3497           |  |
|        |                   | EX    | 6F4922                     |  |
|        | D7H<br>D8H        | IN    | 8H1993                     |  |
|        |                   | EX    | 8H1994                     |  |
|        | D343              | IN    | 2M6402                     |  |
|        |                   | EX    | 2M6403                     |  |
|        | D3406             | IN    | 4N5645<br>2W2622<br>1W3859 |  |
|        |                   | EX    | 4N5653<br>1W3860           |  |
|        |                   | IN    | 1P407                      |  |
|        |                   | EX    | 1P2629<br>2S0978<br>8N3725 |  |
|        |                   | IN    | 2S8143                     |  |
|        |                   | EX    | 1S2903                     |  |
|        |                   | IN    | 9N6117<br>2W2621           |  |
|        |                   | IN    | 7S8809                     |  |
|        |                   | EX    | 9N5125                     |  |

CATARILLAR

## ENGINE VALVE

| MARKER | VEHICLE MODEL | IN/EX | REFERENCE NO. |  |
|--------|---------------|-------|---------------|--|
|        | 3408          | IN    | 1152367       |  |
|        | 3408          | EX    | 1152368       |  |
|        |               | IN    | 2243028       |  |
|        |               | EX    | 2243030       |  |
|        |               | IN    | 1537023       |  |
|        |               | EX    | 1537024       |  |

LUKANG



## ENGINE VALVE

| MARKER | VEHICLE MODEL | IN/EX | REFERENCE NO.   |                 |         |
|--------|---------------|-------|-----------------|-----------------|---------|
|        | D155A(4D155)  | IN    | 6127-41-4112    | 6127-41-4113    |         |
|        | D355A(6D155)  | EX    | 6127-41-4214    | 6127-41-4212    |         |
|        | 4D92          | IN    | 6140-41-4111    |                 |         |
|        | 4D94          | EX    | 6140-41-4211    | 6142-41-4210    |         |
|        | 4D130         | IN    | 6114-41-4110    |                 |         |
|        |               | EX    | 6114-41-4210    |                 |         |
|        | 4D95/6D95 45° | IN    | 6204-41-4110    |                 |         |
|        | 4D95/6D95     | EX    | 6204-41-4210    |                 |         |
|        | 4D95/6D95 30° | IN    | 6209-41-4110    | 6207-41-4110    |         |
|        | 6D95          | EX    | 6209-41-4210    | 6207-41-4210    |         |
|        | 4D110/6D110   | IN    | 6136-41-4110    | 6138-41-4110    |         |
|        |               | EX    | 6136-41-4210    |                 |         |
|        | 4D105/6D105   | IN    | 6136-42-4110    | 6138-42-4110    |         |
|        |               | EX    | 6136-42-4210    |                 |         |
|        | 4D105         | IN    | 6130-41-4121    | 6130-41-4131    |         |
|        | S4D105        | EX    | 6130-41-4210    |                 |         |
|        | S4D120        | IN    | 6110-41-4110    | 6110-43-4110    |         |
|        | 4D120         | EX    | 6110-41-4210    | 6110-43-4210    |         |
|        | 6D115         | IN    | 6101-41-4110    |                 |         |
|        |               | EX    | 6101-41-4210    |                 |         |
|        | D455          | IN    | 6140-41-4110    | 6140-41-4210    |         |
|        | DA21A DA20A   | EX    | 6140-41-4211    |                 |         |
|        | S6D125 (OLD)  | IN    | 6150-41-4111    |                 |         |
|        |               | EX    | 6150-41-4210    |                 |         |
|        | S6D125 (NEW)  | IN    | 6150-42-4111    |                 |         |
|        |               | EX    | 6150-42-4210    |                 |         |
|        | 6D170         | IN    | 6162-43-4110    |                 |         |
|        |               | EX    | 6162-43-4210    |                 |         |
|        | S6D170E-3     | IN    | 6240-41-4110    |                 |         |
|        |               | EX    | 6240-41-4210    |                 |         |
|        | 6D102         | IN    | 6736-41-4110    |                 |         |
|        |               | EX    | 6736-41-4210    |                 |         |
|        | 6D108         | IN    | 6221-41-4110    |                 |         |
|        |               | EX    | 6221-41-4210    |                 |         |
|        | 6D140 (NEW)   | IN    | 6215-41-4110    |                 |         |
|        |               | EX    | 6215-41-4212    |                 |         |
|        | 6D140 (OLD)   | IN    | 6210-41-4110    |                 |         |
|        |               | EX    | 6210-41-4210    |                 |         |
|        | NTA855        | IN    | 135957          | 6710/12-41-4110 | CUMMINS |
|        | NT855/NH250   | EX    | 145701/3040830  | 6710-41-4210    |         |
|        | NH220         | IN    | 150288          | 6610-41-4110    | CUMMINS |
|        |               | EX    | 144911          | 6610-41-4210    |         |
|        | VT903         | IN    | MR-216707       |                 | CUMMINS |
|        |               | EX    | MR-138887       |                 |         |
|        | KT/KT19       | IN    | A3088393        |                 | CUMMINS |
|        |               | EX    | 3088391AF       |                 |         |
|        | 6BT           | IN    | FP3920868E      |                 | CUMMINS |
|        |               | EX    | FP3920867E      |                 |         |
|        | 6CT           | IN    | 3924492         |                 | CUMMINS |
|        |               | EX    | 3921444         |                 |         |
|        | LT10          | IN    | 3033234         |                 | CUMMINS |
|        |               | EX    | 3818520         |                 |         |
|        |               | IN    | 3800340/3942588 |                 | CUMMINS |
|        |               | EX    | 3800341/3942589 |                 |         |

## VALVE GUIDE



**DAIHATSU**

**VALVE GUIDE**

| CAR MODEL                      | ENGINE TYPE | OE PART NUMBER |  |
|--------------------------------|-------------|----------------|--|
| TRUCK V202<br>2500-3000CC      | DG          | 11122-56030    |  |
| HIJET-COURE<br>S40-60-L45 5500 | AB-CB-CD    | 11124-87701    |  |
| CHARADE<br>1000CC              | CL          | 11124-87702    |  |

**HINO**

|  |   |                             |  |
|--|---|-----------------------------|--|
| TRUCK KF · TC · HE<br>BUS BG · RC              | DK10 · DK20 NEW                           | 11121-1070                  |  |
|  |   | 11125-1100                  |  |
| TRUCK RANGER KL<br>BUS RL · AM                 | EC100                                     | 11122-1050                  |  |
|  |   | 2380-1925-00                |  |
|  |   | 11126-1060<br>2380-1926-00  |  |
| TRUCK · BUS<br>KF · ZM · 2C120<br>2Z150G 10TON | ED100                                     | 11122-1100A                 |  |
|  |   | 2400-1907-00                |  |
|  |   | 11126-1080A                 |  |
|  |   | 2400-1908-00                |  |
| TRUCK · BUS<br>KB · TC                         | EB100 · EB200 · EB300                     | 11121-1120                  |  |
|  |   | 2330-1308-12                |  |
|  | EB300                                     | 11125-1180<br>2330-1309-11  |  |
| RANGER RL · KJ · KL<br>BUS BX · AM             | EH100                                     | 11122-1090A                 |  |
|  |   | 2382-1912-00                |  |
|  |   | 11126-1050A<br>2382-1913-00 |  |
| RANGER KL501 · KR<br>BUS RD                    | EH300 NEW                                 | 11122-1070-00               |  |
|  |   | 11126-1041-00               |  |
| RANGER FD · FT175<br>BUS RD301 · RJ            | EH500<br>EH700                            | 11122-1060                  |  |
|  |   | 11122-1200                  |  |
|  |   | 11122-1201                  |  |
| TRUCK · BUS<br>ZM500 V8                        | EF700 · 750<br>EF300 · 350<br>EF500 · 550 | 11122-1040A                 |  |
|  |   | 11122-1150                  |  |
|  |   |                             |  |
| FH · TC · FN · ZM · KF                         | EK100 · EK200                             | 11122-1011                  |  |
|  |   | 11122-1160                  |  |

**HINO**

**VALVE GUIDE**

| CAR MODEL                                 | ENGINE TYPE    | OE PART NUMBER           |  |
|---|----------------|--------------------------|--|
| TRUCK · BUS<br>TC · BD35 · ZC34<br>8000CC | DS50-DS60(NEW) | 11121-1060               |  |
|   |                | 11125-1090A              |  |
| TRUCK · BUS                               | DS50           | 11121-1180               |  |
|   |                | 11125-1120               |  |
| TRUCK · BUS                               | DS70<br>DS90   | 11125-1200               |  |
| TRUCK · BUS                               | DM100<br>DQ100 | 11121-1160               |  |
|   |                | 11125-1150               |  |
| TRUCK · BUS<br>FG · LB · KK               | EL100          | 11122-1080               |  |
|   |                | 11126-1070               |  |
| TRUCK · BUS                               | EM100          | 11122-1120               |  |
| TRUCK · BUS                               | ER200<br>ER100 | 11122-1110               |  |
|   |                |                          |  |
| TRUCK · BUS                               | EP100<br>F20C  | 11122-1130               |  |
|   |                |                          |  |
| TRUCK · BUS                               | EF100<br>EF300 | 11122-1020               |  |
|   |                | 11126-1020               |  |
| TRUCK · BUS<br>RANGER KM                  | EG100          |                          |  |
|   | W04D · W06D    | 11122-1140               |  |
|   |                | 11122-1030<br>11126-1030 |  |
|   | EB100          | 11121-1120               |  |
|   |                | 11125-1180               |  |
|   | H06C · H07C    | 11122-1180               |  |
|   | JO8C<br>JO7C   | 11122-1220               |  |
|   |                |                          |  |

**HONDA**

|                      |                   |  |  |
|----------------------|-------------------|--|--|
| ACCORD 1800CC, CIVIC | EV                | 12204-PC6-305  |  |
|                      |                   | 12205-PE0-305<br>12205-PE0-315<br>12205-657-310<br>12205-657-315 |  |
| CIVIC                | EF · EK · ED · EB | 12208-634-000  |  |
|                      |                   | 12208-634-920  |  |
|                      |                   | 12209-634-000  |  |
|                      |                   | 12209-657-305  |  |
|                      | ED                | 12204-634-920  |  |
|                      |                   | 12209-634-620  |  |
|                      |                   | 12209-634-670  |  |

**HONDA**

**VALVE GUIDE**

| CAR MODEL         | ENGINE TYPE  | OE PART NUMBER |  |
|-------------------|--------------|----------------|--|
| CIVIC<br>ACCORD   | ED,EB<br>EF  | 12204-634-920  |  |
|                   |              | 12205-657-305  |  |
|                   |              | 12205-657-310  |  |
| ACCORD            | EK,EP        | 12204-689-300  |  |
|                   |              | 12204-689-305  |  |
|                   |              | 12205-689-300  |  |
|                   |              | 12205-689-305  |  |
|                   | ER           | 12204-PA6-300  |  |
|                   |              | 12204-PA6-305  |  |
|                   |              | 12205-657-310  |  |
|                   |              | 12205-657-315  |  |
|                   | D15B<br>PT   | 12204-PJ7-305  |  |
|                   |              | 12205-PJ7-003  |  |
|                   |              | 12205-PJ7-305  |  |
|                   |              | 12205-PB9-305  |  |
|                   |              | 12205-PE0-310  |  |
|                   |              | 12205-PE0-315  |  |
| CIVIC 1600        | ZC           | 12204-PG6-305  |  |
|                   |              | 12205-PG6-305  |  |
| PRELUDE · INTEGRA | B20,AB,AC,AD | 12204-PC6-305  |  |
|                   |              | 12205-PC6-305  |  |
| PRELUDE           | EK<br>ES     | 12204-PC6-305  |  |
|                   |              | 12205-689-305  |  |
| ACCORD            | EW           | 12204-634-920  |  |
|                   |              | 12205-657-310  |  |
|                   |              | 12205-657-315  |  |
|                   |              | 12204-PM7-305  |  |

**ISUZU**

|   |  |                                |  |
|---|--|--------------------------------|--|
| ELF67~80<br>GEMINI/LUV<br>TROPPER                                 | C221,C240,C190                               | 9-11721-001-0                  |  |
|   |  | 9-11721-113-0                  |  |
|   |  | 5-11721-006-0                  |  |
|   |  | 9-11721-123-0                  |  |
| ELF 80~<br>LUV<br>TROPPERS UBS52                                  | C190,C240(NEW)                               | 5-11721-016-0                  |  |
| GEMINI KB20, LUV<br>1400-1600cc<br>WFR VAN/WAGON<br>TROPPER UBS16 | G181Z, G161, G180, G200,<br>4ZA1, 4ZB1, 4ZD1 | 8-94206-762-0                  |  |
|   |  | 8-94206-763-0                  |  |
| TRUCK   | 4FB1,4FA1,4FC1                               | 5-11721-015-0<br>5-11721-015-1 |  |

## ISUZU

## VALVE GUIDE

| CAR MODEL                                   | ENGINE TYPE  | OE PART NUMBER  |  |
|---|--|---|--|
| ELF TLD<br>ELF KS / NPR<br>SBR<br>JBR / JCR | C330, 4BA1, 4BC2, 4BD1<br>6BB1, 6BD1                           | 5-11721-001-0<br>5-11721-010-0  |  |
| TRUCK TSD, TXD<br>BUS BA, BF, BXD           | DA120<br>DA120, DA040, DA640                                   | 9-11721-088-0<br>9-11721-160-0  |  |
| TRUCK                                       | DH100  | 9-11721-120-0   |  |
| TRUCK TMK, SPG, TG<br>BUS BU, CPA           | E110, D920, 6GA1<br>6QA1<br>E120, 4VALVE                       | 9-11721-165-0<br>9-11721-212-0  |  |
| TRUCK TV                                    | 8MA1, 6RA, GRB,<br>4VALVE                                      | 1-11721-001-0   |  |
| TRUCK SRG, SRK<br>BUS CRA / TRACTOR         | 10PA1, 12PA1<br>10PA1  | 1-11721-004-0   |  |
| BELLET                                      | G150, G201   | 9-11721-109-0   |  |
| GEMINI 1500cc                               | 4XC  | 8-94176-717-0<br>8-94176-718-0  |  |
| GEMINI / LUV                                | G161, G180<br>4EC1<br>6HE1<br>6SA1<br>6HK1<br>6HH1-24V<br>4JJ1 | 9-11721-156-0<br>8-94239-423-0<br>8-94396-598-0<br>1-11721-008-0<br>8-97376-720-0<br>8-94390-780<br>8-94239-423-0 |  |

## KOMATSU

|                           |                                |  |  |
|---------------------------|--------------------------------|--|--|
| TRACTOR<br>BULLDOZER D50S | 4D120<br>NEW                   | 6110-13-1311                                 |  |
| D155A · D355A             | 4D155 · 6D155<br>4VALVE<br>NEW | 6127-11-1341                                 |  |
| D30 · D31                 | 4D105 · S4D105                 | 6130-19-1310                                 |  |
| D40 · D41                 | 6D105                          | 6136-19-1330                                 |  |
| D20A · D21A               | 2D92 · 4D92<br>4D94 · 6D94     | 6140-19-1310<br>6142-19-1310                 |  |
| CUMMINS NH220             | NH220<br>4VALVE                | 6610-11-1310<br>6610-11-1311                 |  |
| CUMMINS NH250             | NT855 · NH250<br>4VALVE        | 6710-11-1311                                 |  |
|                           | 4D95 · 6D95                    | 6204-19-1310<br>6204-19-1311<br>6204-19-1312 |  |
|                           | 6D125<br>4VALVE<br>IN<br>EX    | 6150-12-1341<br>6150-12-1351                 |  |
|                           | 6D140                          | 6210-16-1340                                 |  |

## KOMATSU

## VALVE GUIDE

| CAR MODEL | ENGINE TYPE | OE PART NUMBER    |  |
|-----------|-------------|-------------------|--|
|           | S6D105      | 6136-19-1430      |  |
|           |             | 6110-13-1310      |  |
|           |             | 6136-13-1330      |  |
|           | 6D170       | 6162-16-1341(NEW) |  |
|           |             | 6062-13-1341(OLD) |  |
|           | S6D170E-3   | 6240-16-1341      |  |
|           | 6D108       | 6221-19-1311      |  |

## MAZDA

| CAR MODEL              | ENGINE TYPE            | OE PART NUMBER |  |
|------------------------|------------------------|----------------|--|
| PICK UP                | TB                     | 0249-10-130    |  |
| FAMILIA · BONGO        | PB                     | 0249-10-140    |  |
| SPA · FPA 1000CC       |                        | 0259-23-081    |  |
| CAPELLA · BONGO        | NA · MA                | 0305-12-280    |  |
| SNA · 808 · 626        |                        | 0305-12-290    |  |
| B1600-B2000            | HA NEW E3 / 5          | 8173-23-090    |  |
| 323 · 929/929L         | VC                     |                |  |
| TRUCK TITAN AEX        | XA · XB · HA · ZB · S2 | 0636-10-104    |  |
| E / T2500 · 2700       |                        |                |  |
| B2200                  |                        |                |  |
| E2200                  |                        |                |  |
| TRUCK TITAN TVA        | VA NEW                 | 0552-10-105    |  |
| E / T2000              |                        |                |  |
| E2000                  |                        |                |  |
| TRUCK TITAN TA3        | HA(NEW) · XA · SL      | SE01-10-104    |  |
| E / T3000              |                        |                |  |
| E2000                  |                        |                |  |
| CAPELLA 626 · LUCE 929 | FE · F6/8 · MA         | F801-23-090    |  |
| 1800CC · 2000CC        |                        |                |  |
| FAMILIA PICK UP        | NA · MA · PC · TC · VC | 0305-23-090    |  |
| B1600                  |                        | 0305-23-280    |  |
| 929                    |                        | 0305-10-280    |  |
| 929L                   |                        | 0305-10-290    |  |
| BONGO E2200            | RZ · S2                | RF01-10-280    |  |
|                        |                        | RF01-10-290    |  |
| FAMILIA                | E5                     | 47Y6-10-290    |  |
|                        |                        | 0240-10-140    |  |
| TITAN 3500             | TF                     | TF01-10-281    |  |
|                        |                        | B6Y0-10-290    |  |
| 323                    | B6                     | B6Z0-10-280    |  |
|                        |                        | B6Z0-10-290    |  |
|                        | F2                     | F2Y1-10-280A   |  |
|                        |                        | F2Y1-23-091    |  |
|                        | WL-BT50                | B6Z0-10-290    |  |
|                        | WL                     | WLY1-10-280    |  |

**MITSUBISHI**

**VALVE GUIDE**

| CAR MODEL  | ENGINE TYPE                       | OE PART NUMBER |  |
|--|-----------------------------------|----------------|--|
| GALANT · LANCER<br>1200-1600CC<br>SAPPORO        | 4G31 · 4G32 · 4G33 · 4G36<br>4G37 | MD000461       |  |
|  |                                   | MD079880       |  |
|  |                                   | MD000471       |  |
|  |                                   | MD079661       |  |
| MINICA<br>550CC<br>COLT                          | 2G23 · 2G23B                      | MD016441       |  |
|  |                                   | MD079660       |  |
|  | G11B · G12B · G13B · G15B         | MD016445       |  |
|  |                                   | MD079661       |  |
| GALANT · CANTER<br>1800-2000CC<br>PAJERO · ARROW | G52 · G62<br>4G52 · 4G54 · 4G63   | MD020551       |  |
|  |                                   | MD020561       |  |
|  | 4G61-T<br>4VALVE                  | MD126605       |  |
|  |                                   | MD126608       |  |
| TRUCK CANTER<br>BUS MB720                        | 4DQ                               | 31301-10600    |  |
|  |                                   | 31301-10601    |  |
| TRUCK CANTER<br>JEEP · BUS ROSA                  | 4DR · 6DR · 4DQ<br>4DR1 · 4DQ1    | 30601-25600    |  |
|  |                                   |                |  |
| TRUCK T620-653<br>BUS B · MR                     | 4DR · 6DR NEW                     | ME001179       |  |
|  |                                   | ME001188       |  |
| TRUCK T654 · FK103<br>BUS MK103 · 6D14           | 6DS                               | ME020158       |  |
| TRUCK FK116 · FE<br>BUS MK116 · FE<br>CANTER     | 6D10 · 6D14 · 6DS1 · 4D30         | ME031293       |  |
|  |                                   |                |  |
| PAJERO   | 4D30 · 6D15<br>4D31 · 4D33        | ME031886       |  |
|  |                                   | ME031888       |  |
| TRUCK R400 · W110<br>BUS BB20 · MR410            | 4D55 · 4D56                       | MD050523       |  |
|  |                                   | MD050527       |  |
| TRUCK FS · FU · FV<br>BUS B · MS                 | 6DB<br><br>NEW                    | 30001-10602    |  |
|  |                                   | 30001-10603    |  |
| TRUCK<br>BUS                                     | 8DC · 6D22 · 6DC2 · 8DC2<br>6DB   | ME051120       |  |
|  |                                   | ME051122       |  |
| COLT   | 6DE                               | 33301-00700    |  |
|  | 4G41                              | MD010461       |  |
|  |                                   | MD010466       |  |
|  | 4DRS                              | 31601-11600    |  |
|  |                                   | MD010462       |  |



**MITSUBISHI**

**VALVE GUIDE**

| CAR MODEL                 | ENGINE TYPE | OE PART NUMBER             |  |
|---------------------------|-------------|----------------------------|--|
| CAT. GCA-73-0<br>GCB-73-0 |             | 34601-10600<br>34201-01600 |  |
|                           | S4S         | 32A01-01600                |  |
| GALANT                    | 4D65        | MD076354<br>MD076358       |  |
|                           |             | ME200007<br>ME200009       |  |
|                           | 4M40        | ME-201501<br>ME201504      |  |
|                           | 4G92        | MD300702<br>MD-172530      |  |
|                           | S6KT        | 34201-01600<br>34601-10600 |  |

**NISSAN**

|  |   |              |  |
|--|---|--------------|--|
| BLUENIRD, TRUCK<br>210, 410, 521, 620<br>E20                                 | J13, J15, J16<br>J20                    | 13211-30001  |  |
|  |   | 13213-30002  |  |
|  |   | 13211-01W10  |  |
|  |   | 13213-01W10  |  |
| SUNNY, CHERRY<br>1000-1200cc<br>100Y N10<br>120Y B110/B210                   | A10, A12, D11                           | 13212-H0110  |  |
|  |   | 13212-H0111  |  |
|  |   | 13212-H0112  |  |
|  |   | 13213-H0110  |  |
|  |   | 13213-H0111  |  |
| SUNNY, PULSAR<br>1400cc<br>140Y R310   | A14                                     | 13212-H2311  |  |
|  |   | 13213-H2311  |  |
| SUNNY, PULSAR<br>1500cc  | A15                                     | 13212-H0111  |  |
|  |   | 13212-H0112  |  |
|  |   | 13213-H0111  |  |
|  |   | 13213-H0112  |  |
| BLUEBIRD 510-810<br>1300, 1600, 2000cc<br>160B, 140J / 160J, 180B,<br>240KGT | L13, L14, L16, L18, L20(A)<br>L24, LD20 | 13212-21000  |  |
|  |   | 13212-21010  |  |
|  |   | 131212-21011 |  |
|  |   | 13213-21000  |  |
|  |   | 13213-21010  |  |
| BLUEBIRD, SKYLINE<br>1600-2000cc<br>URVAN E23                                | Z16, Z18, Z20<br>LD20                   | 13212-W0400  |  |
|  |   | 13212-W0410  |  |
|  |   | 13213-21G10  |  |
|  |   | 13213-W0410  |  |
| MARCH · WICRA<br>1000cc  | MA10                                    | 13212-01B01  |  |
|  |   | 13212-01B11  |  |
|  |   | 13213-01B01  |  |
|  |   | 13213-01B11  |  |

**NISSAN**

**VALVE GUIDE**

| CAR MODEL   | ENGINE TYPE                                       | OE PART NUMBER         |             |  |
|---|---|------------------------|-------------|--|
| SUNNY, PULSAR<br>1500cc<br><br>SENTRA                       | E10 · E13 · E15                                   | 13212-01M01            |             |  |
|   |   | 13212-01M11            |             |  |
|   |   | 13212-15M00            |             |  |
|   |   | 13212-15M01            |             |  |
|   |   | 13212-15M11            |             |  |
|   |   | 13213-01M01            |             |  |
|   |   | 13213-01M11            |             |  |
| BLUEBID, STANZA<br>LISERTA 1800cc<br>SUNNY DIESEL<br>SENTRA | CD17, CA18, RD28                                  | 13212-D0110            |             |  |
|   |   | 13212-D0111            |             |  |
|   |   | 13212-D0112            |             |  |
|   |   | 13213-D0110            |             |  |
|   |   | 13213-D0111            |             |  |
|   |   | 13213-D0112            |             |  |
|   |   |                        | 13213-V5514 |  |
|   | CA18<br>4VALVE                                    | 13212-58S60            |             |  |
|   |   | 13212-D4260            |             |  |
|   | CEDRIC V20, V30, Y30<br>SKYLINE R31<br>ALTIMA A31 | RB24, RB30, VG20, VG30 | 13212-V5010 |  |
| 13212-V5011   |   |                        |             |  |
| 13213-V5010   |   |                        |             |  |
| 13213-V5011   |   |                        |             |  |
| VG30<br>4VALVE  |   | 13212-F6560            |             |  |
|   |   | 13213-F6560            |             |  |
|   | CA13, GA15, GA16E<br>4VALVE                       | 13212-53Y60            |             |  |
|   |   | 13212-53Y60            |             |  |
|   |   | 13212-W0500            |             |  |
|   |   | 13212-W0510            |             |  |
|   |   | 13212-W0500            |             |  |
|   |   | 13213-W0510            |             |  |
| CABSTAR   | ED6, FD6, FE6 (NEW)                               | 13211-J6500            |             |  |
|   |   | 13211-Z5500            |             |  |
|   |   | 13212-J6500            |             |  |
| TRUCK, CONDOR BUS<br>RM, CM 3 - 3.5ton                      | ED30, ED33  | 13212-J2000            |             |  |
|   | ED60, ED6, FD6, FE6(OLD)                          | 13211-Z5000            |             |  |
|   |   | 13211-Z5001            |             |  |
|   |   | 13213-Z5001            |             |  |
| DATSUN TRUCK, CEDRIC<br>HOMY 2800cc, JUNIOR                 | SD23, SD25  | 13211-V1700            |             |  |
|   |   | 13212-V1700            |             |  |
| ATLAS   | TD25, 27  | 13212-43G01            |             |  |
|   |   | 13212-43G02            |             |  |

# VALVE GUIDE

| CAR MODEL                             | ENGINE TYPE   | OE PART NUMBER |  |
|---------------------------------------|---------------|----------------|--|
| TRUCK 680, PATROL                     | P40           | 13212-58001    |  |
|                                       |               | 13213-58001    |  |
|                                       | P40           | 13212-C6000    |  |
|                                       |               | 13212-C6001    |  |
|                                       |               | 13213-C6000    |  |
| 13213-C6001                           |               |                |  |
| TRUCK CK, DU, UG<br>6.5ton            | ND6           | 13211-95000    |  |
|                                       | ND6 NEW       | 13212-97000    |  |
| TRUCK CD, CK, CV<br>8-10ton<br>BUS UM | PD6, PE6, PF6 | 13212-96002    |  |
|                                       |               | 13211-97001    |  |
|                                       | NEW           | 13211-96004    |  |
|                                       |               | 13212-96006    |  |
| TRUCK WD, WG, CW<br>BUS RA, DA        | RD8, RD10     | 13212-97000    |  |
|                                       | RE8, RE10     | 13211-97001    |  |
| TRUCK U, DU, TC, TW<br>BUS            | UD3 - 6       | 13211-90005    |  |
|                                       | HIGH CAM      |                |  |
|                                       | NE6           | 13212-95002    |  |
|                                       |               | 13212-95003    |  |
|                                       |               | 13212-95004    |  |
|                                       |               | 13212-95005    |  |
|                                       | PD6           | 13212-96009    |  |
|                                       |               | 13211-96007    |  |
|                                       | RF6           | 13212-95005    |  |
|                                       |               | 13211-96009    |  |
|                                       | A12 - A15     | 13212-H2310    |  |
|                                       |               | 13212-H2311    |  |
|                                       |               | 13213-H2310    |  |
|                                       |               | 13213-H2311    |  |
|                                       |               | 13212-H8510    |  |
|                                       |               | 13213-H8510    |  |
| BUS · TRUCK                           | ND            | 13211-95001    |  |
| AUSTER · BLUEBIRD<br>CEDRIC · LAUREL  | L16, L28      | 13212-U0110    |  |
|                                       |               | 13213-U0110    |  |
| BUS · TRUCK                           | PF8           | 13212-P5002    |  |
|                                       |               | 13212-P5005    |  |
| CARAVAN · CABSTAR<br>DATSUN TRUCK     | J16, J18      | 13212-24W00    |  |
|                                       |               | 13212-24W10    |  |
|                                       |               | 13212-24W00    |  |
|                                       |               | 13212-24W10    |  |

**NISSAN**

**VALVE GUIDE**

| CAR MODEL | ENGINE TYPE                  | OE PART NUMBER                          |  |
|-----------|------------------------------|---|--|
|           | FD6T/FD6/ED6<br>FE6T/FE6     | 13211-Z5501                             |  |
|           |                              | 13212-96001<br>13211-96001              |  |
|           | NEW RD8(10)<br>RE8(10)/RD10T | 13212-97001<br>13211-97001 /13212-96002 |  |
|           |                              | 13211-97003                             |  |
|           | TB42S                        | 13212-03J10<br>13213-03J10              |  |
|           | KA24                         | 13212-40F60<br>13213-40F60              |  |
|           |                              | 13212-54T00<br>13212-54T01              |  |
|           | YD25 IN                      | 13212-AD260                             |  |
|           | EX                           | 13213-AD260                             |  |
|           | GA13                         | 13212-77A60                             |  |
|           | GA16i                        | 13213-77A60                             |  |

**SUBARU**

|        |                   |            |  |
|--------|-------------------|------------|--|
| SUBARU | EF10, EK21-23     | 38090-2100 |  |
| SUBARU | EA63              | 88090-8600 |  |
| LEONE  | EA61 · EA62       | 88090-4110 |  |
|        | EA71 · EA81       |            |  |
|        | EA71 · EA81 (OLD) | 38091-2100 |  |

**SUZUKI**

|  |                 |  |  |
|--|-----------------|--|--|
| ALTO · CARRY · JIMNY · FRONT<br>550CC · 800CC<br>VAN · PICK UP · CARRY | F5A · F8A · Y64 | 11115-73010<br>11115-73030<br>11116-73010<br>11116-73030 |  |
| CULTUS · JIMNY SJ410<br>1000CC VAN, PICK UP                            | F10A · F10      | 11115-82000<br>11115-82001                               |  |
| ESCUDO   | G16A            | 11115-60B10<br>11115-60B11                               |  |
| FRONTE · CERVO · ALTO  | F6 · F5B        | 11115-70B00  |  |

# VALVE GUIDE

## TOYOTA

| CAR MODEL   | ENGINE TYPE               | OE PART NUMBER |  |
|---|---------------------------|----------------|--|
| COROLLA · LITEACE · STARLET<br>1100-1400CC KE           | K · 2K · 3K · 4K          | 11122-24020    |  |
|   |                           | 11126-24020    |  |
| COROLLA · CORONA<br>1600CC TA · TE · TT                 | 2T(12T)<br>3T             | 11122-25010    |  |
|   |                           | 11122-25020    |  |
|   |                           | 11122-25021    |  |
|   |                           | 11126-25010    |  |
| CORONA · HIACE · HILUX<br>1300CC PT · PH<br>TOYOACE     | 3P · 12R                  | 11122-23010    |  |
|   |                           | 11126-25020    |  |
|   |                           | 11126-25021    |  |
| CORONA · HIACE<br>1500CC RT · RH · PK                   | 2R(NEW)                   | 11123-31012    |  |
| CORONA · HIACE · HILUX<br>1000CC RH · RN · RT           | 12R                       | 11122-31020    |  |
| MARK 11 · CELICA · CRESSIDA<br>1600-1700CC RT<br>CORONA | 7R · 18R<br>6R · 8R · 16R | 11122-33011    |  |
|   |                           | 11126-33011    |  |
| CROWN · STAOUT · DYNA<br>2000CC RS · RK · RU            | 5R(NEW)                   | 11122-44011    |  |
| CROWN · CELICA<br>2600CC MS · MX                        | 4M · 5M                   | 11122-41020    |  |
|   |                           | 11126-41020    |  |
|   |                           | 11126-41040    |  |
|   |                           | 11126-45020    |  |
| CORSA · TERCEL<br>1300 · 1500CC AL<br>CORONA<br>COROLLA | 2AU · 3AU · 1GE           | 11122-15011    |  |
|   |                           | 11122-15020    |  |
|   | 1S<br>2A · 3A · 4A        | 11126-15011    |  |
|   |                           | 11126-15020    |  |
| COROLLA · CAMRY<br>1800CC<br>CORONA DIESEL              | 1C                        | 11126-24020    |  |
| COROLLA<br>STARLET<br>TERCEL                            | 1E                        | 11122-10040    |  |
|   | 2E                        |                |  |
|   | 3VALVE                    |                |  |
| COROLLA GT<br>LEVIN                                     | 4A                        | 11122-16010    |  |
|   | 4VALVE                    | 11122-16020    |  |
|   | 4AG                       |                |  |
|   | 3A-4A<br>4VALVE           | 11122-15030    |  |

## TOYOTA

## VALVE GUIDE

| CAR MODEL   | ENGINE TYPE                          | OE PART NUMBER             |  |
|---|--------------------------------------|----------------------------|--|
| LITEACE · HIACE<br>1800CC · 2000CC<br>CROWN · CRESSIDS · HI LUX | 2V · 3V                              | 11122-71010                |  |
|   |                                      | 11122-71020                |  |
|   | 1Y · 2Y · 3Y · 4Y                    | 11126-71010                |  |
|   |                                      | 11126-71020                |  |
| COROLLA   | K · 2K · 3K                          | 11122-22020                |  |
|   |                                      | 11126-22020                |  |
|   | 2R                                   | 11123-31011                |  |
|   |                                      | 11126-31011                |  |
| CRESSIDA  | 1G · 1GE (OLD)                       | 11126-15020<br>11126-70020 |  |
| CRESSIDA · CELICA · CORONA<br>CROWN<br>HI LUX<br>DYNA           | 20R-22R<br><br><br>(OLD)             | 11122-38021                |  |
|   |                                      | 11122-38010                |  |
|   |                                      | 11122-38020                |  |
|   |                                      | 11122-35020                |  |
| CROWN 70-79<br>DYNA<br>STAOUT                                   | 5R                                   | 11122-44010                |  |
| DYNA · COASTER(D)<br>2300-2500CC<br>TOYOACE                     | J · 2J · H                           | 11122-46010                |  |
|   |                                      | 11126-46010                |  |
| DYNA · LANDCRUISER<br>3000-3500CC<br>COASTER                    | B · 2B · 3B · 13B<br><br><br><br>NEW | 11122-56010                |  |
|   |                                      | 11122-56020                |  |
|   |                                      | 11122-56021                |  |
|   |                                      | 11126-56021                |  |
|   |                                      | 11122-56030                |  |
| CROWN · MARK · CRESSIDA DIE<br>2200-2400CC<br>LITE ACE          | L · 2L                               | 11122-54010                |  |
|   |                                      | 11122-54011                |  |
|   | 3L                                   | 11122-54020                |  |
| DYNA · LANDCRUISER<br>3600-4000CC                               | H · 2H                               | 11122-68010                |  |
| TRACK 6TON<br>LANDCRUISER                                       | F                                    | 11122-60010                |  |
|   |                                      | 11122-60011                |  |
|   |                                      | 11126-60010                |  |
|   |                                      | 11126-60011                |  |
|   | F · 2F                               | 11122-60020                |  |
|   |                                      | 11126-60021                |  |
|   |                                      | 11126-60020                |  |
|   | 2F · 3F                              | 11122-61010                |  |
|   |                                      | 11122-61011                |  |
|   |                                      | 11126-61010<br>11126-61011 |  |

## TOYOTA

## VALVE GUIDE

| CAR MODEL                              | ENGINE TYPE     | OE PART NUMBER                            |  |
|--|-----------------|---|--|
| TRUCK · BUS · DA · DB<br>5800-6500CC   | D · 2D          | 11122-76010<br>11122-76020                |  |
| CELICA · CARINA<br>CORONA · CRESSIDA   | 18R             | 11122-34010                               |  |
| CARINA · CORONA DIESEL<br>LITEACE      | 1C · 2C         | 11122-64010<br>11126-64010<br>11126-64020 |  |
| CROWN                                  | 3R · 5R         | 11122-40010<br>11126-40010                |  |
| CHASER · CELICA<br>CARINA · CRESTA     | 1S · 2S · 3S    | 11122-63020<br>11126-63020                |  |
| CROWN · CELICA 2800<br>SUPRA<br>84-86  | 5ME · 5MG · 6MG | 11122-43010                               |  |
| CELICA · CARINA 1600<br>CHASER · CAMRY | 3T · 13T        | 11122-25040<br>11126-25040                |  |
|  |                 | 11122-10030<br>11126-10030                |  |
|  |                 | 11122-75010                               |  |
|  |                 | 11122-78010                               |  |
|  | 15B             | 11122-58010                               |  |
|  | 3V              | 11122-65020                               |  |
|  | 2TR             | 11122-75020                               |  |
|  | 3ZZ             | 11122-22030                               |  |
|  | 2RFB IN         | 11122-31050                               |  |
|  | 2RFB EX         | 11126-31030                               |  |



**VALVE SEAT**

LUKANG



**HINO**

**VALVE SEAT**

| ENGINE MODEL                     | CYL NO. | IN EX    | PARTS NUMBER                              | INTERCHANGEABLE            |  |
|----------------------------------|---------|----------|---|----------------------------|--|
| ED100                            | 6       | IN<br>EX | 11131-1080A<br>11135-1180A                | 11131-1981A                |  |
| EK100                            | 6       | IN<br>EX | 11131-1020A<br>11135-1010C                | 11131-1180A<br>11135-1210A |  |
| EF300 EF350 EF500<br>EF700 EF750 | V8      | IN<br>EX | 11131-1031A<br>11131-1160A<br>11135-1031B |                            |  |
| EH700 HO6CT                      | 6       | IN<br>EX | 11131-1140A<br>11135-1240A                | 11131-1230<br>11135-1420   |  |
| EL100                            | 6       | IN<br>EX | 11131-1050A<br>11135-1210A                |                            |  |
| EP100                            | 6       | IN<br>EX | 11131-1190A<br>11135-1310                 | 11131-1240                 |  |
| HO7C                             | 6       | IN<br>EX | 11131-1220A                               |                            |  |
| EM100                            |         | IN<br>EX | 11131-1330<br>11135-1300                  |                            |  |
| EF750                            |         | IN<br>EX | 11131-1020<br>11135-1370                  |                            |  |
| DK10                             |         | IN<br>EX | 2-301-1008-0                              |                            |  |
| F20C                             |         | IN<br>EX | 11131-1320<br>11135-1160                  | 11135-1460                 |  |
| JO8C                             |         | IN<br>EX | 11131-1380<br>11135-1720                  |                            |  |
| W04D                             |         | IN<br>EX | 11131-1210<br>11135-1320                  |                            |  |
| DS50                             |         | IN<br>EX |   |                            |  |
| DM100                            |         | IN<br>EX |   |                            |  |
| N04C                             |         | IN<br>EX | S1113-11540<br>S1113-51780                |                            |  |

## ISUZU

## VALVE SEAT

| ENGINE MODEL           | CYL NO. | IN EX    | PARTS NUMBER                   | INTERCHANGEABLE  |  |
|------------------------|---------|----------|--------------------------------|--|--|
| 4BB1/4BD1<br>6BB1/6BD1 | 4<br>6  | IN       | 9-11715-607-0<br>5-11715-018-1 | 9-11715-081-0<br>5-11715-024-0<br>9-11715-054-0<br>9-11715-034-0 |  |
|                        |         | EX       | 9-11711-803-0<br>5-11711-028-0 | 9-11711-100-0<br>1-11711-043-0<br>5-11711-022-0                  |  |
| 4BC1                   | 4       | IN<br>EX | 5-11715-018-0<br>5-11711-021-0 | 5-11711-022-0  |  |
| 4BC2                   | 4       | IN<br>EX | 1-11715-034-0<br>5-11711-028-0 |  |  |
| 4BA1                   | 4       | IN<br>EX | 5-11715-018-0<br>5-11711-022-0 |  |  |
| C190<br>C240           | 4       | IN<br>EX | 9-11715-054-0<br>9-11711-066-0 | 9-11715-801-0<br>9-11711-801-0                                   |  |
| C190<br>C240           | 4       | IN<br>EX | 5-11715-023-0<br>5-11711-026-0 |  |  |
| E120                   | 6       | IN<br>EX | 9-11715-135-0<br>9-11711-135-0 | 9-11715-131-0<br>9-11711-025-0                                   |  |
| 4FB1<br>4FC1           | 4       | IN<br>EX | 8-94105-292-0<br>8-94105-239-0 | 8-94228-701-0<br>8-94228-702-0                                   |  |
| DH100                  | 6       | IN<br>EX | 9-11715-126-0<br>9-11711-145-0 | 9-11715-118-0<br>9-11711-148-0<br>9-11711-149-0                  |  |
| 8PA1<br>10PA1<br>10PB1 | 8<br>10 | IN<br>EX | 1-11715-032-0<br>1-11711-020-0 | 1-11715-023-0<br>1-11715-149-0<br>1-11711-024-0<br>1-11711-037-0 |  |
| 10PA1                  | 10      | IN<br>EX | 1-11715-025-0<br>1-11711-016-0 |  |  |
| 6RA1<br>6RB1           | 6       | IN<br>EX | 1-11715-035-0<br>1-11711-025-0 |  |  |
| DA120                  | 6       | IN<br>EX | 1-11715-005-0<br>1-11711-005-0 |  |  |
| DA640                  | 6       | IN<br>EX | 9-11715-123-0<br>9-11711-141-0 |  |  |
| E110                   | 6       | IN<br>EX | 9-11715-069-0<br>9-11711-127-0 | 9-11715-112-0<br>9-11715-125-0                                   |  |
| 4JB1                   | 4       | IN<br>EX | 8-94130-559-0<br>8-94130-558-0 | 8-94331-522-0<br>8-94331-521-0                                   |  |
| 6BG1                   | 6       | IN<br>EX | 1-11715-054-0<br>1-11711-043-0 | 1-11715-040-0<br>1-11715-050-0                                   |  |
| 6RB1                   | 6       | IN<br>EX | 1-11715-059-0<br>1-11711-044-0 | 1-11715-073-0  |  |

**MITSUBISHI**

**VALVE SEAT**

| ENGINE MODEL        | CYL NO.      | IN EX        | PARTS NUMBER                                  | INTERCHANGEABLE                           |  |
|---------------------|--------------|--------------|---|---|--|
| 4D30<br>4D32        | 4            | IN<br>EX     | ME029296<br>ME029005                          | ME029106                                  |  |
| 6D10<br>6D14        | 6            | IN<br>EX     | ME031932<br>ME031986<br>ME031935              | ME031002<br>ME031004                      |  |
| 6D15                | 6            | IN<br>EX     | ME031930<br>ME031934                          | ME031853<br>ME031556                      |  |
| 6D20<br>8DC<br>10DC | 6<br>8<br>10 | IN<br><br>EX | 30901-00492<br><br>31101-00301                | 30901-00901<br>30901-00401<br>31101-00501 |  |
| 8DC                 | 8            | IN<br>EX     | 31201-30491<br>31201-30591                    | 31201-30400<br>31201-30500                |  |
| 4DR5<br>6DR         | 4            | IN<br>EX     | ME001133<br>ME001075                          | 31301-00401<br>31301-00593                |  |
| DB                  | 4            | IN<br>EX     | 30001-23401<br>30001-23501                    |   |  |
| DS7                 | 4            | IN<br>EX     | 30801-10400<br>30801-10593                    | 30801-18593                               |  |
| 6D16                | 6            | IN<br>EX     | ME071216<br>ME071111                          |   |  |
| 6D15                | 6            | IN<br>EX     | ME031853/929/30<br>ME031930<br>ME031933/4/587 |   |  |
| S6KT                | 6            | IN<br>EX     | 36701-02800<br>36701-02500                    |   |  |
| S4E                 |              | IN<br>EX     | 34401-21400<br>34401-21500                    |   |  |
| S4S                 |              | IN<br>EX     | 32A01-03100<br>32A01-03200                    |   |  |
| 4M40                | 4            | IN<br>EX     | ME028003<br>ME028148                          |   |  |
|                     |              |              |   |   |  |

**NISSAN**

**VALVE SEAT**

| ENGINE MODEL      | CYL NO.     | IN EX        | PARTS NUMBER  | INTERCHANGEABLE  |  |
|-------------------|-------------|--------------|---|--|--|
| FD6 , ED6<br>ED33 | 6           | IN<br>EX     | 31214-Z5000<br>13215-Z5000  |  |  |
| PE6<br>PD6        | 6           | IN<br><br>EX | 31214-96003<br><br>31215-96000  | 13214-96000<br>13214-96001<br>13214-96004<br>13215-96004 |  |
| RD8<br><br>RD10   | 8<br><br>10 | IN<br><br>EX | 13214-97000<br><br>13215-97000  | 13214-97003<br>13214-97020<br>13215-97020<br>13215-97006 |  |
| ND6               | 6           | IN<br>EX     | 13214-95004<br>13215-95004  | 13214-95000<br>13215-95000                               |  |
| UD43              | 4           | EX           | 13215-90002   |  |  |
| FE6               | 6           | IN<br>EX     | 13214-Z5500<br>13215-Z5500  |  |  |
| PE6               | 6           | IN<br>EX     | 13214-96013<br>13215-96013  |  |  |
| SD22<br>SD23      | 4           | IN<br>EX     | 13214-Y5200<br>13215-Y5200  |  |  |
| RF8/RF10          | 8           | IN<br>EX     | 13214-97010<br>13214-97011<br>13215-97014<br>13215-97062<br>13215-97013 |  |  |
|                   |             |              |   |  |  |

## KOMATSU

## VALVE SEAT

| ENGINE MODEL | CYL NO. | IN EX    | PARTS NUMBER                 | INTERCHANGEABLE |  |
|--------------|---------|----------|------------------------------|-----------------|--|
| 6D155        | 6       | IN<br>EX | 6127-11-1335<br>6127-11-1325 |                 |  |
| 6D125        | 6       | IN<br>EX | 6150-11-1331<br>6150-11-1320 |                 |  |
| 6D110        | 6       | IN<br>EX | 6138-12-1320<br>6130-12-1320 |                 |  |
| 6D105        | 6       | IN<br>EX | 6136-11-1311<br>6136-11-1321 |                 |  |
| 6D95         | 6       | IN<br>EX | 6207-11-1430<br>6207-11-1440 |                 |  |
| 6D102        | 6       | IN<br>EX | 6732-11-1170<br>6732-11-1180 |                 |  |
| NH250        | 6       | IE       | 6711-11-1120<br>6710-11-1120 |                 |  |
| NH220        | 6       | IE       | 6610-11-1220                 |                 |  |
| 6D140        | 6       | IN<br>EX | 6210-11-1330<br>6210-11-1321 |                 |  |
| 6D170        | 6       | IN<br>EX | 6162-13-1330<br>6162-13-1332 |                 |  |
| S6D170E-3    | 6       | IN<br>EX | 6240-11-1330<br>6240-11-1321 |                 |  |
| 6D108        | 6       | IN<br>EX | 6221-11-1330<br>6221-11-1320 |                 |  |
| KT           | 6       | IN<br>EX |                              |                 |  |
| LT10         | 6       | IN<br>EX |                              |                 |  |

## TOYOTA

|          |   |          |                                  |  |  |
|----------|---|----------|----------------------------------|--|--|
| 2H       |   | IN<br>EX | 11131-68010<br>11135-68010       |  |  |
| 2L/L     | 4 | IN<br>EX | 11131-54020<br>11135-54021       |  |  |
| 3L/2L    | 4 | IN<br>EX | 11131-54020<br>11135-54020       |  |  |
| 13B      | 4 | 1N<br>EX | 11131-58035<br>11135-58030       |  |  |
| 1C/2C    | 4 | IN<br>EX | 02230028<br>02230029             |  |  |
| 3K/4K/5K |   | IN<br>EX | 11131-24020<br>11135-24020       |  |  |
| 1Z       |   | IN<br>EX | 11131-76006-71<br>11135-76004-71 |  |  |